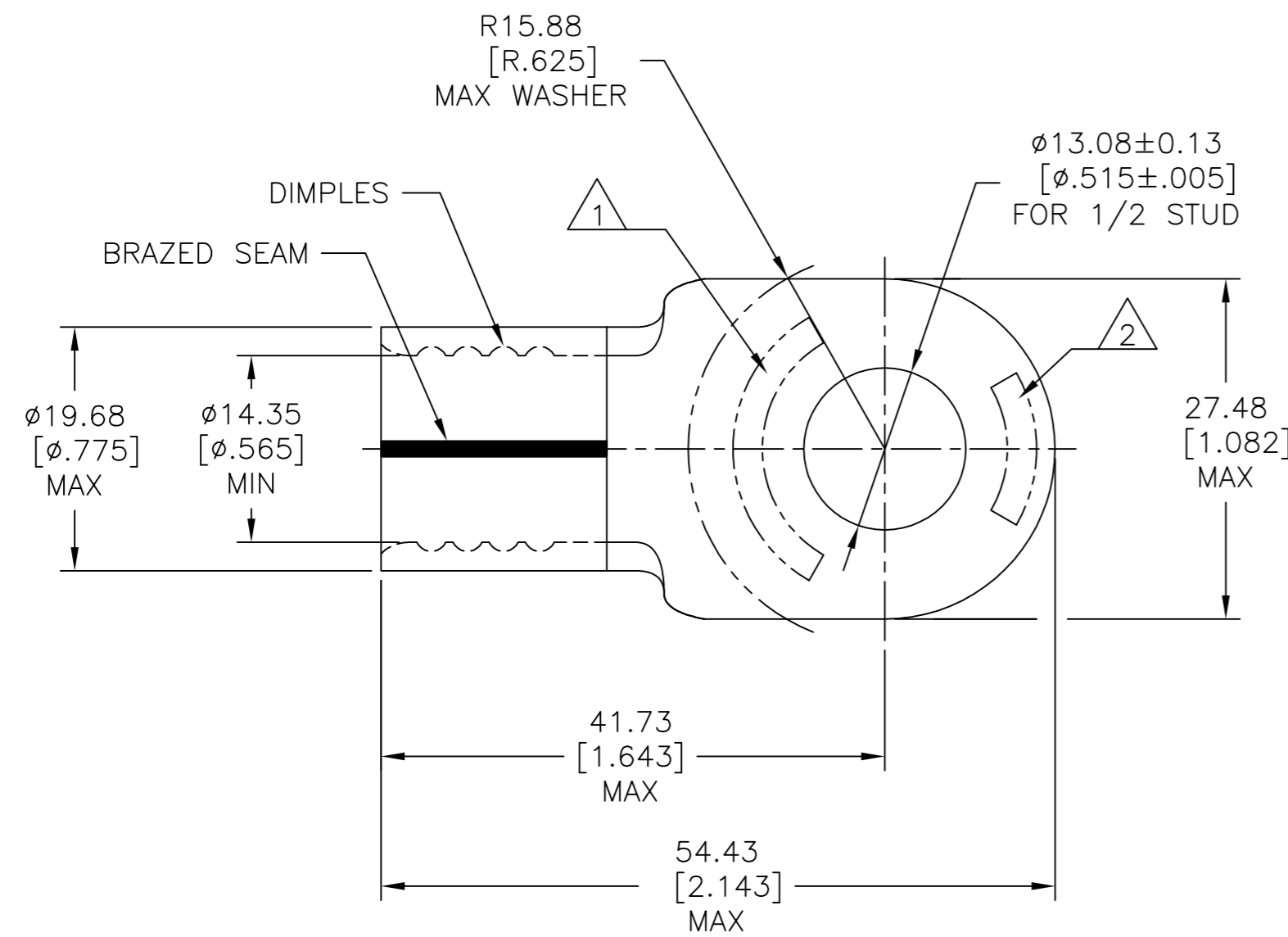


THIS DRAWING IS UNPUBLISHED. RELEASED FOR PUBLICATION
 © COPYRIGHT - TE Connectivity ALL RIGHTS RESERVED.

REVISIONS		RER			
P	LTR	DESCRIPTION	DATE	DWN	APVD
D		REVISED & REDRAWN PER 0720-0037-93	5/20/93	DKS	RER
D1		REVISED PER ECO-17-004099	29AUG2017	RS	DR

METRIC
 DIMENSIONS LISTED IN mm [INCHES]



AMP WIRE RANGE	E13288 Listed
3/0 AWG SOLID OR STRANDED	3/0 AWG SOLID OR STRANDED
LR7189 Certified	MILITARY P/N AND CLASS
3/0 AWG SOLID OR STRANDED	NOT APPLICABLE

- 1 STAMP AMP 3/0W* APPROX AS SHOWN.
- 2 STAMP 150 APPROX AS SHOWN.
- 3 TONGUE MATERIAL THK: 2.31±0.08[.091±.003]

AMP INCORPORATED CUSTOMER SERVICE SYSTEMS		MAX RECOMMENDED OPERATING TEMPERATURE: 170°C [338°F] MAX
FOR ADDITIONAL PRODUCT INFORMATION OR COPIES OF DRAWINGS AND TECHNICAL DOCUMENTS	PRODUCT INFORMATION CENTER 1-800-522-6752	VOLTAGE RATING: NOT APPLICABLE
FOR APPLICATION TOOLING INFORMATION	TOOLING ASSISTANCE CENTER 1-800-722-1111	CIRCULAR MIL AREA: 76.3-96.3mm²[150,000-190,000] CIR MILS SOLID OR STRANDED
FOR ORDER ENTRY	1-800-526-5142	THIS DRAWING IS A CONTROLLED DOCUMENT FOR AMP INCORPORATED. IT IS SUBJECT TO CHANGE AND THE CONTROLLING ENGINEERING ORGANIZATION SHOULD BE CONTACTED FOR THE LATEST REVISION.

50	LOOSE PIECE	36929
QTY.	PACKAGE TYPE	PART NUMBER

THIS DRAWING IS A CONTROLLED DOCUMENT.		DWN DK_SCHRUM 5/20/93	TE Connectivity	
DIMENSIONS: mm [INCHES]	TOLERANCES UNLESS OTHERWISE SPECIFIED:	CHK RD HEIM 1/27/94	NAME RE ROSE 1/27/94	
	0 PLC ± -	APVD RE ROSE 1/27/94	PRODUCT SPEC	
	1 PLC ± -	APPLICATION SPEC	-	
	2 PLC ± 0.20[.008]	WEIGHT	-	
	3 PLC ± -	FINISH	-	
MATERIAL COPPER ASTM B-152 ANNEALED	FINISH TIN PLATE 0.00254[.000100] MIN THK PER MIL-T-10727	SIZE A2	CAGE CODE 00779	DRAWING NO C=36929
CUSTOMER DRAWING		SCALE 2:1	SHEET 1 of 1	REV D1