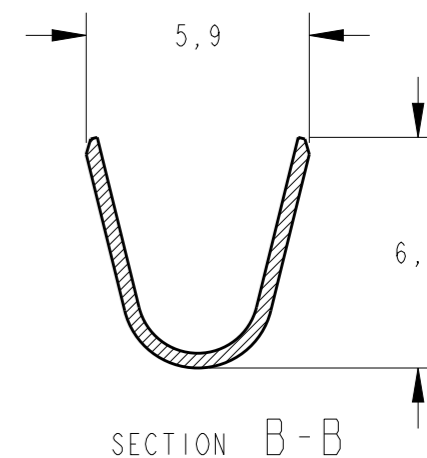
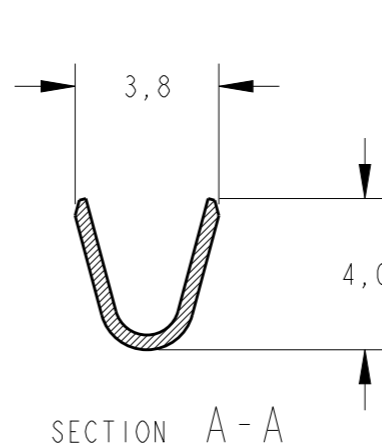
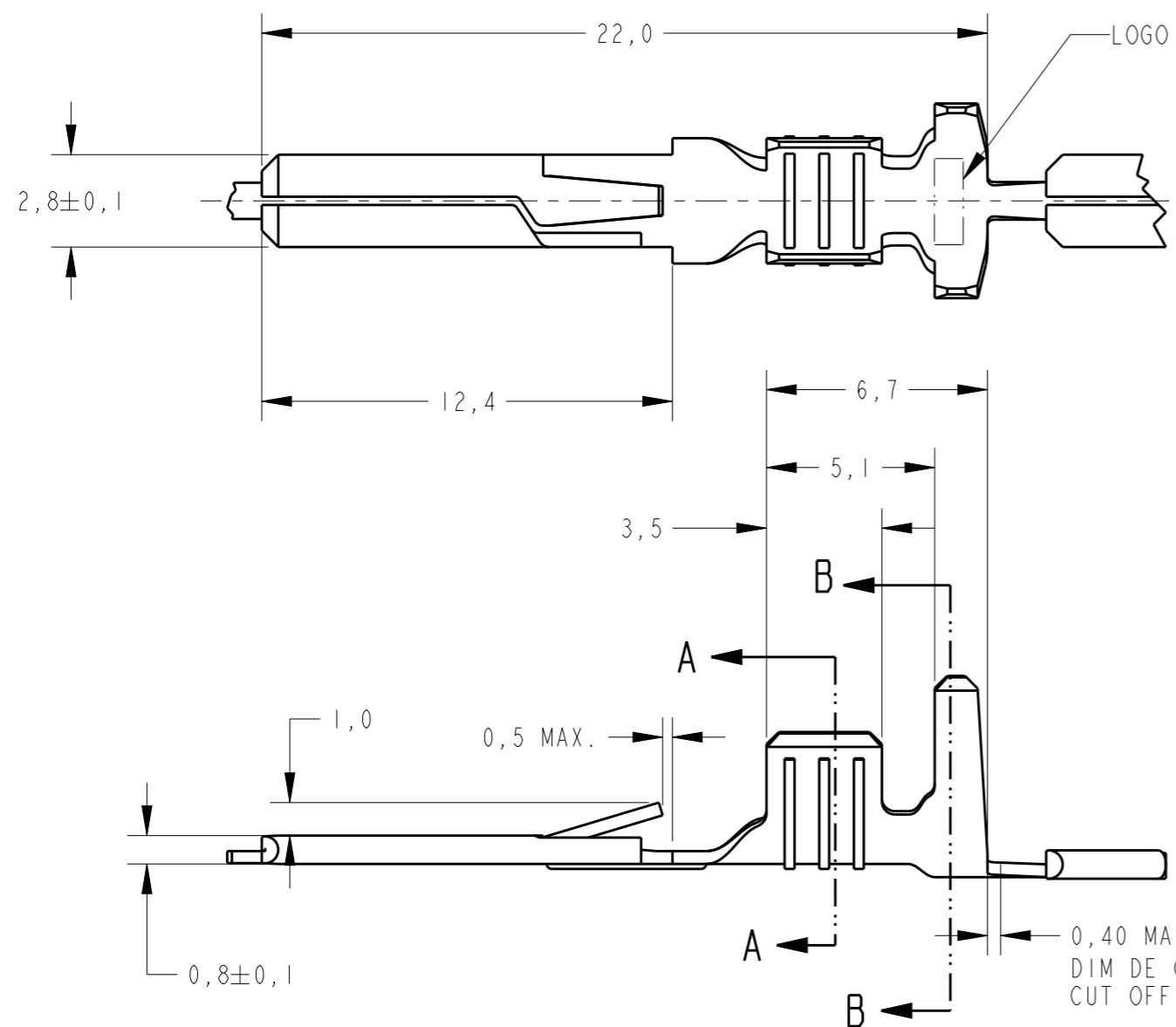


THIS DRAWING IS UNPUBLISHED. RELEASED FOR PUBLICATION 20
 © COPYRIGHT 20 BY - ALL RIGHTS RESERVED.

LOC	DIST	REVISIONS				
P	LTR	DESCRIPTION	DATE	DWN	APVD	
-	-	C2	REV. BY ECO14-019128 AND REDRAW	23DEC2014	HC	WLS



 OBSOLETE		ELECTRO TIN	PHOS. BRONZE	880638-5
			PHOS. BRONZE	880638-4
	880664-3	PRE - TIN	BRASS	880638-3
	880664-2	ELECTRO TIN	BRASS	880638-2
	880664-1	—	BRASS	880638-1
	LOOSE PIECE PN	FINISH	MATERIAL	PART NUMBER

-OBSOLETE PARTS: OBSOLETE CIS STREAMLINING PER D.RENAUD/D.SINISI

THIS DRAWING IS A CONTROLLED DOCUMENT.

DWN 23DEC2014
 H.C.CANTER
 CHK 23DEC2014
 W.L.STEFANI

APVD -

PRODUCT SPEC 108-37015
 APPLICATION SPEC 114-2065

WEIGHT -

Customer Drawing

STE TE Connectivity

NAME .110 SERIES FASTIN-ON TAB

SIZE A3 CAGE CODE 00779 DRAWING NO. C=880638 RESTRICTED TO -

SCALE 5/1 SHEET 1 OF 1 REV C2

INSUL. RANGE 2,7 -4,0mm	WIRE RANGE >1,0-2,5 mm2
----------------------------	----------------------------

DIMENSIONS: mm	TOLERANCES UNLESS OTHERWISE SPECIFIED:
	0 PLC ± -
	1 PLC ±0,3
	2 PLC ± -
	3 PLC ± -
	4 PLC ± -
	ANGLES ±1°
MATERIAL	FINISH