

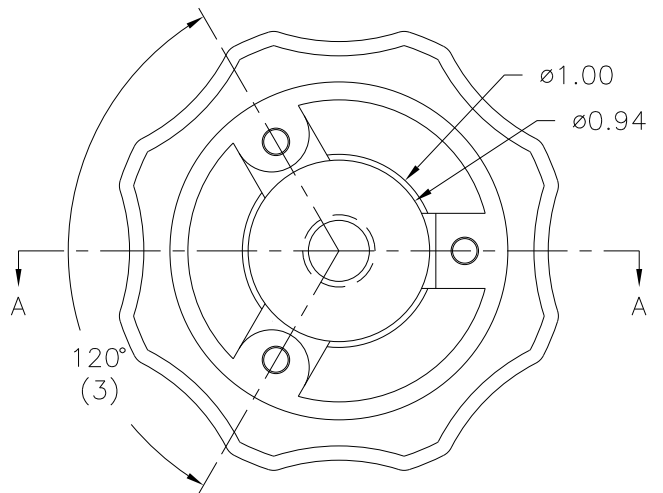
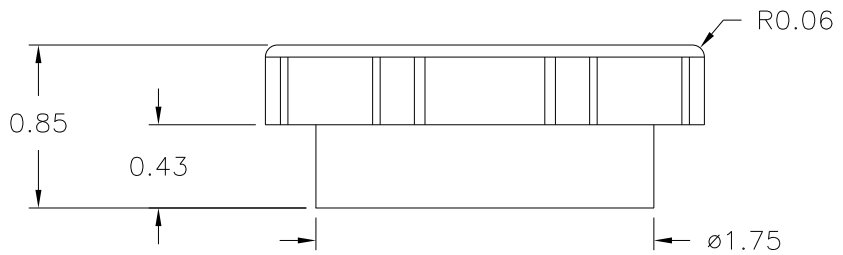
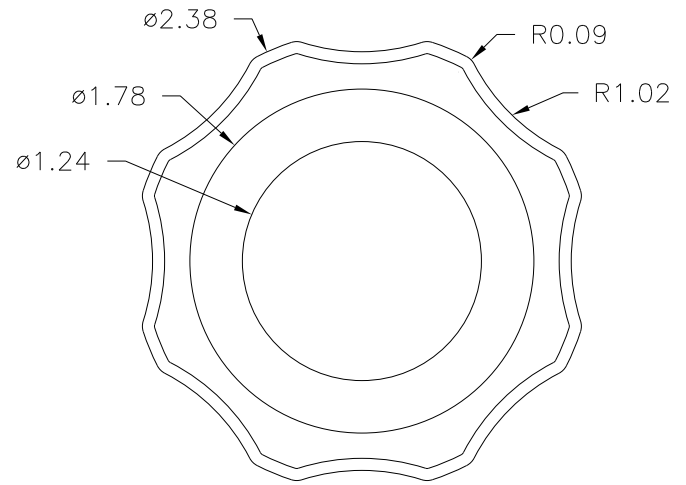
PART NAME: KNOB SCALE: 1:1 DATE: 5/5/65 DR. BY LS

THIS DRAWING IS THE PROPERTY OF DAVIES MOLDING COMPANY, IS SUBMITTED SOLELY AS A DESIGN OR ENGINEERING PROJECT. WE ACCEPT NO RESPONSIBILITY WHATSOEVER FOR THE PRACTICAL APPLICATION OF THE PIECES MADE TO THIS DESIGN.

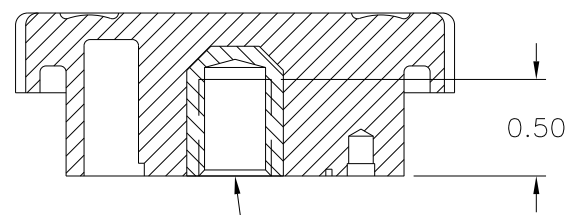


DESIGNERS & MANUFACTURERS OF KNOBS, HANDLES, CASES & CUSTOM PLASTIC COMPONENTS

| | |
|------------------|-------------|
| P/N | 4103EJ |
| M ^{NO.} | 4103 |
| PLUNGER | 4103 |
| CAVITY | 4103 |
| CAVITY PLUG | 4103 |
| CAVITY PLUG PIN | LONG(1.183) |
| OUTER PIN | 4103-B |
| INNER PIN | 4103-V |
| INSERT | I0212 |



(A) NOTE: CENTER MTG. SURFACE MUST BE FLUSH OR SLIGHTLY ABOVE RIBBED SURFACE AREAS, NOT BELOW



3/8-16 UNC-2B THREAD
I0212, H.H. BRASS

SECTION A-A

MATERIAL: G.P. PHENOLIC (B11)
COLOR: BLACK

| | | | | |
|---|----------------------------------|---|------------|-------------|
| TOLERANCES: UNLESS OTHERWISE SPECIFIED | DO NOT SCALE DRAWING | | | |
| DECIMALS: X.XXX ± .005 X.XX ± .015 | MM: X.XX ± 0.15MM X.X ± 0.4MM | - | REDRAW | JAM 5/8/02 |
| FRACTIONS ± 1/64 | ANG. ± 1° | A | NOTE ADDED | HD 11/15/88 |
| CHANGES | | | | |