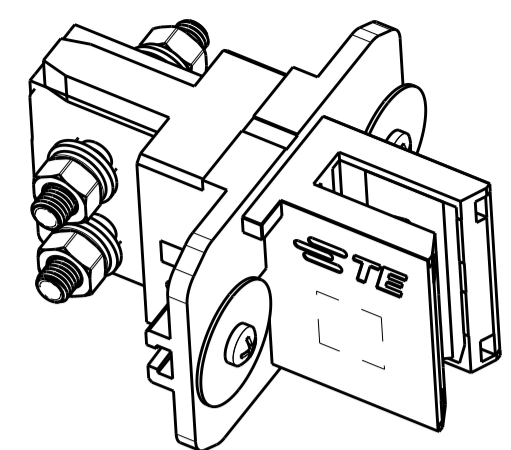
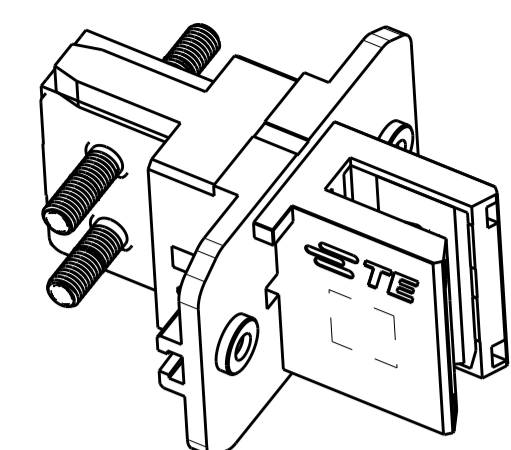


REVISIONS				
P.	LTN	DESCRIPTION	DATE	OWN APVD
7		DRAWING RELEASE	13SEP2017	ML SZ
A1		DRAWING STATUS UPDATED	01FEB2018	ML SZ
A2		RELEASE NEW PN -2	05AUG2020	ML SZ

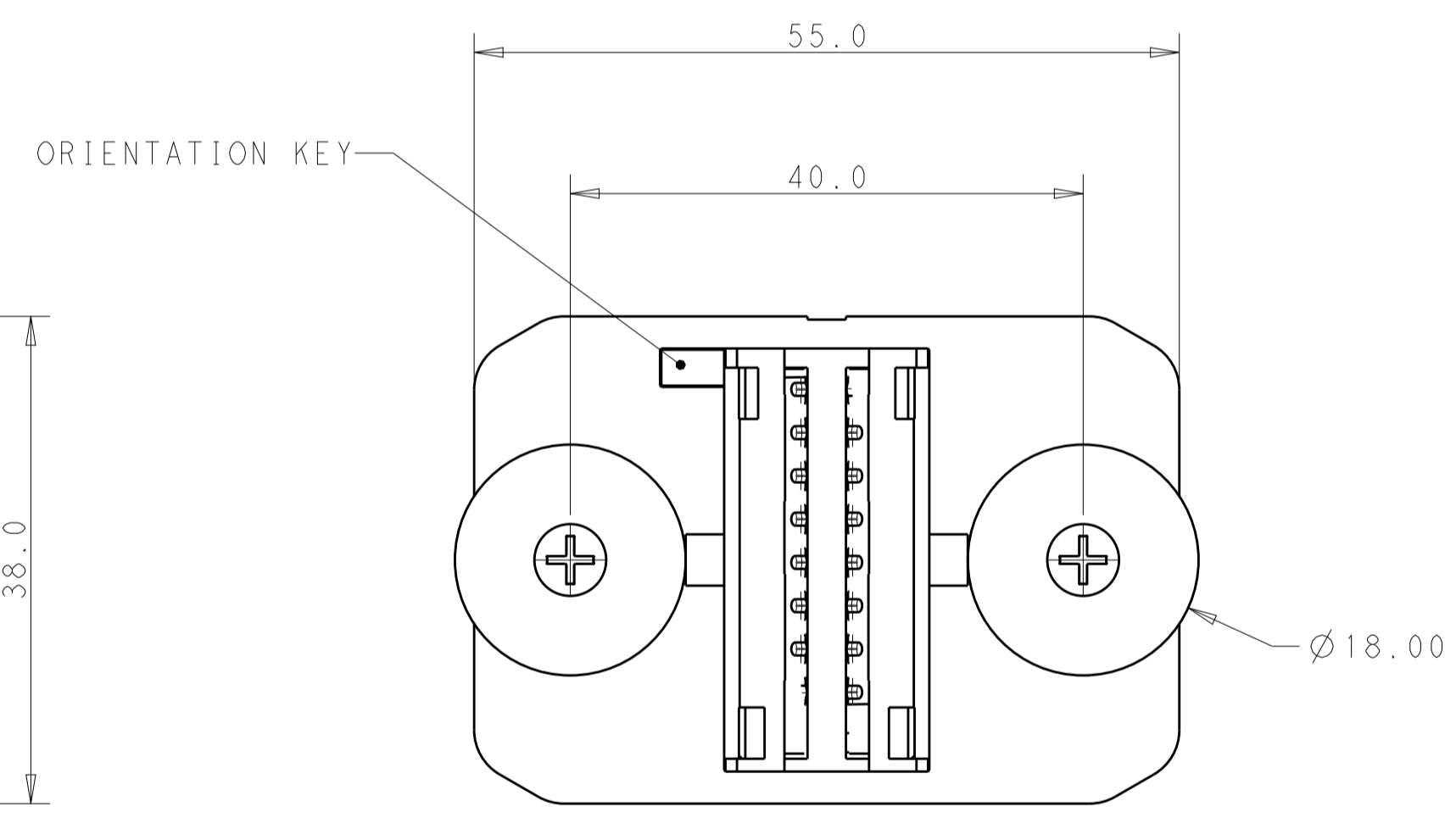
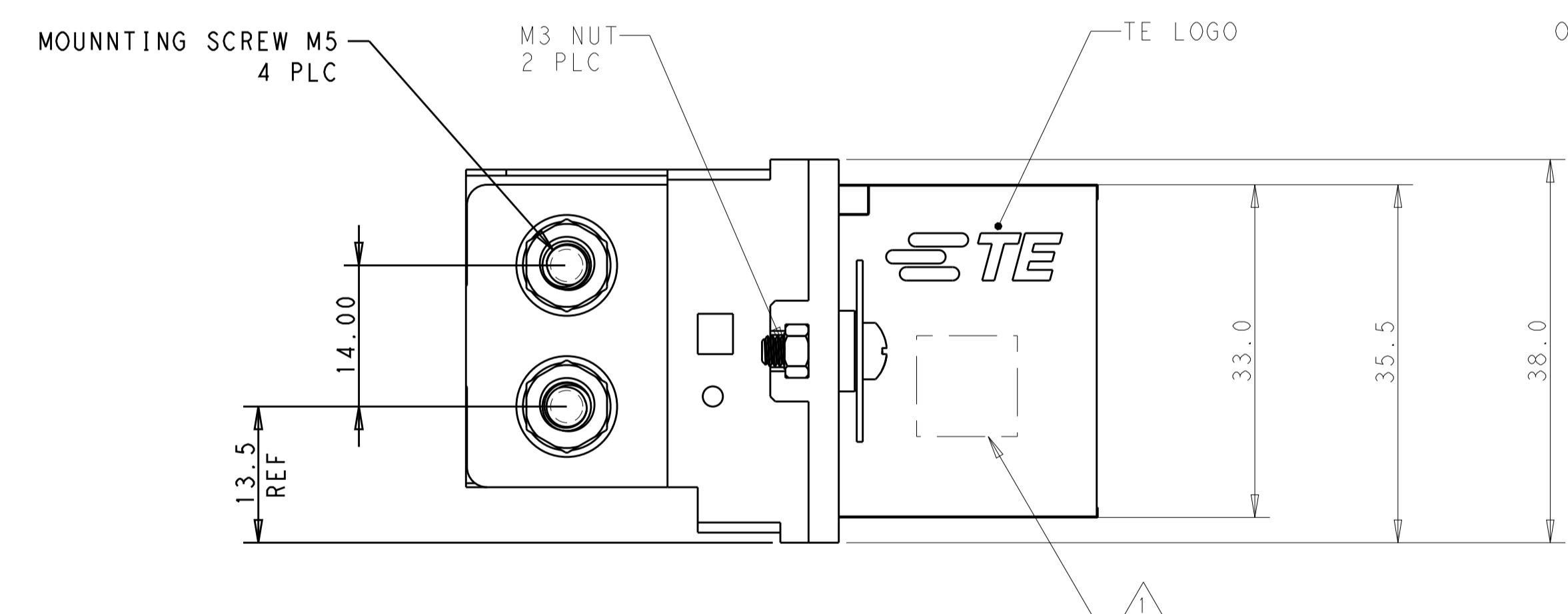
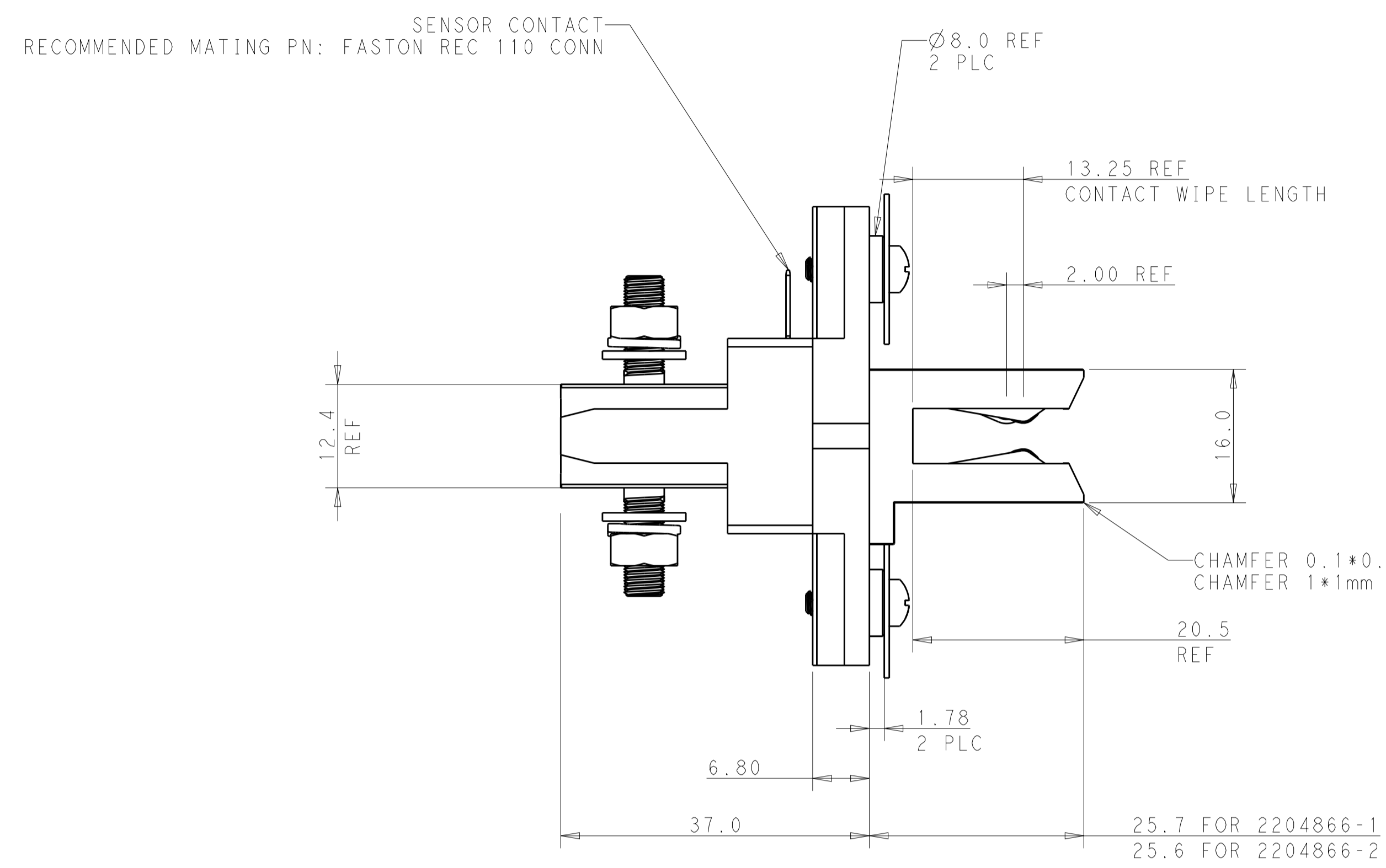


SCALE 1:1  
REFERENCE PRODUCT VIEW  
P/N: 2204866-1



SCALE 1:1  
REFERENCE PRODUCT VIEW  
P/N: 2204866-2

- NOTES: UNLESS OTHERWISE SPECIFIED
- 1. PART NUMBER AND DATE CODE TO BE MARKED IN AREA SHOWN
  - 2. MATERIAL:  
HOUSING: THERMO PLASTIC, BLACK, UL94 V-0  
CONTACT: HIGH CONDUCTIVITY COPPER ALLOY.
  - 3. PLATING:  
SILVER PLATING OVER NICKEL BASE-PLATED ON CONTACT INTERFACE
  - 4. RECOMMENDED BUS BAR BOARD:  
MATERIAL: COPPER C10100/C10200/C11000  
PLATING: BUS BAR BOARD PLATING SHALL BE MATCHING WITH CONNECTOR PLATING.  
DETAIL SPECIFICATION PLEASE REFER TO SHEET 2 AND APPLICATION SPECIFICATION.
  - 5. PANEL BOARD:  
RECOMMENDED PANEL BOARD LAYOUT PLEASE REFER TO THE SHEET 3.  
THE SCREW M3 SHALL BE WITH LOCTITE DRI-LOCK OR EQUIVALENT IN MOUNTING AREA.  
RECOMMENDED TORQUE OF M3 SCREW : 3.9 Kgf.cm
  - 6. PCB OR BUS BAR BOARD IS RECOMMENDED TO SCREW-MOUNT WITH CONNECTOR.  
RECOMMENDED TORQUE OF M5 SCREW : 15-20 Kgf.cm
  - 7. ALL THE HARDWARE SHALL BE PACKAGED WITH CONNECTOR IN BULK. HARDWARE LIST SHOWN IN THE SHEET 2.



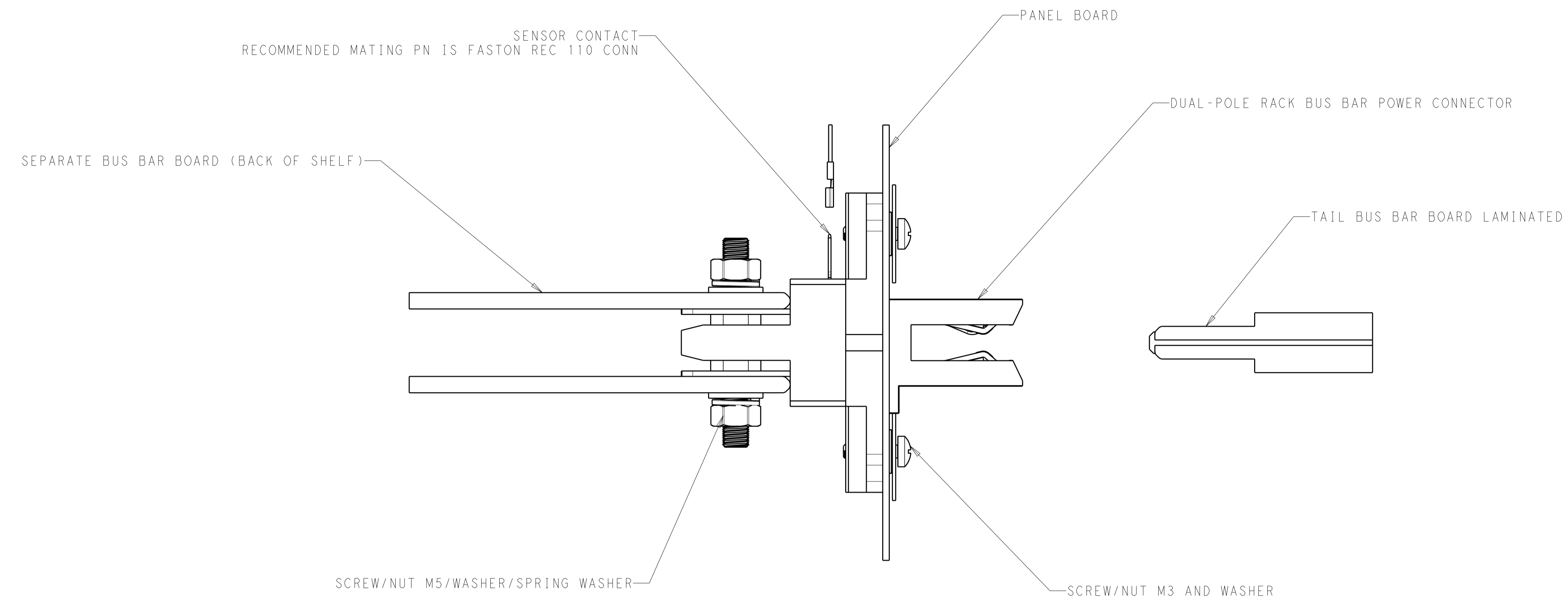
SILVER PLATING	3um SILVER PLATING OVER 1.25um MIN. NICKEL BASE-PLATED	3.0±0.05	6.0±0.20	BB500A RACK BUS BAR DUAL POWER CONNECTOR	2204866-2
SILVER PLATING	3um SILVER PLATING OVER 1.25um MIN. NICKEL BASE-PLATED	3.0±0.05	6.0±0.20	BB500A RACK BUS BAR DUAL POWER CONNECTOR	2204866-1
CONNECTOR PLATING	MATING BLADE PLATING	SEPERATE BUS BAR THICKNESS	MATING BLADE THICKNESS	DESCRIPTION	PART NUMBER

THIS DRAWING IS A CONTROLLED DOCUMENT.		OWN: MAC LIU 10JAN2017	
DIMENSIONS:	TOLERANCES UNLESS OTHERWISE SPECIFIED:	CHK: SUNY ZHAO 10JAN2017	
mm	0 PLC ±1	APVD: SUNY ZHAO 10JAN2017	
	1 PLC ±0.5	NAME: CUSTOMER DRAWING	
	2 PLC ±0.30	PRODUCT SPEC: 108-128050	DUAL-POLE RACK BUS BAR POWER CONN
	3 PLC ±0.150	APPLICATION SPEC: 114-128051	POWER CONNECTOR
	4 PLC ±*	SIZE: A1	RESTRICTED TO
MATERIAL:	FINISH:	WEIGHT:	SCALE: 2:1
			SHEET 1 OF 3
			REV: A2

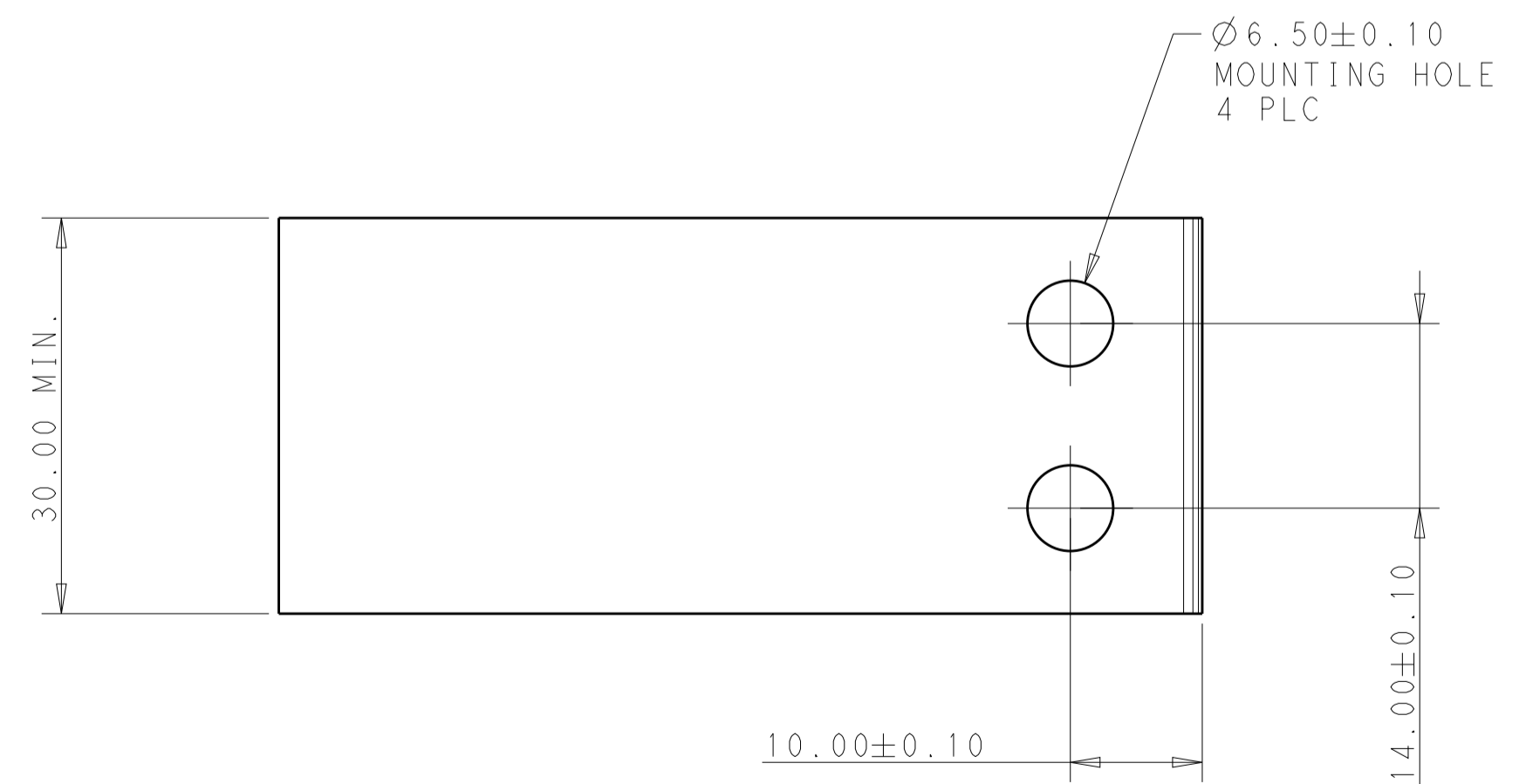
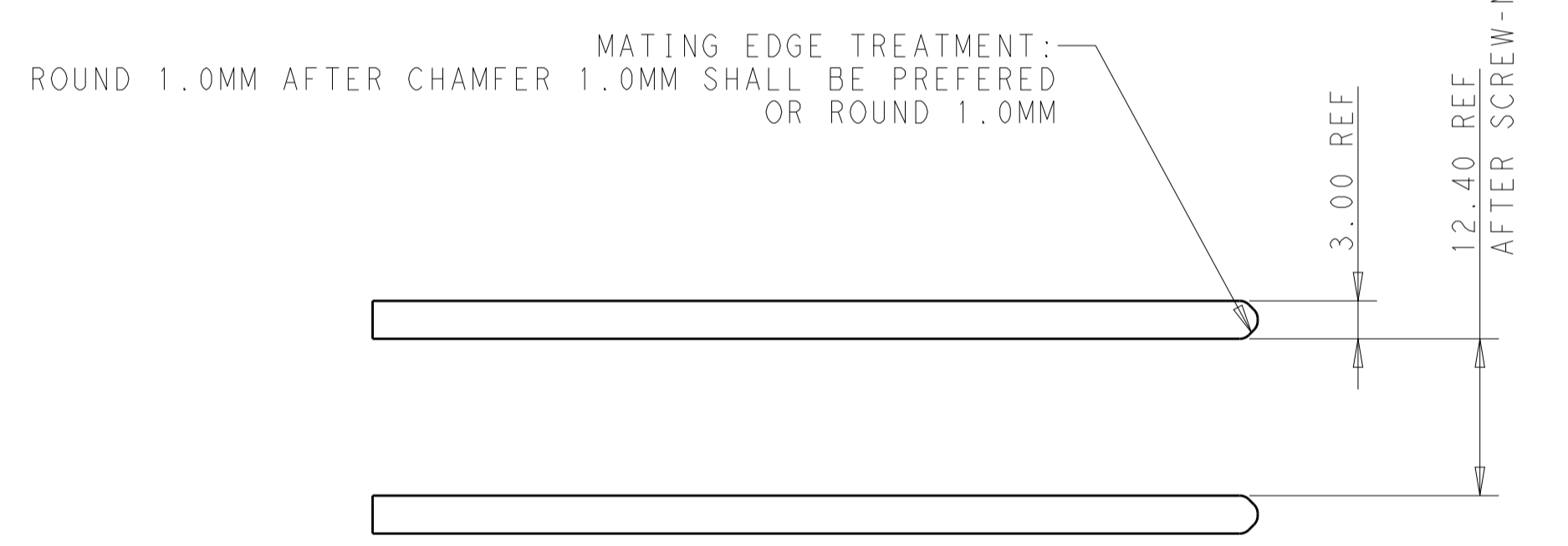
REVISIONS					
P.	LTN	DESCRIPTION	DATE	DMN	APVD
-	-	SEE SHEET 1	-	-	-

HARDWARE LIST		
ITEM	DESCRIPTION	QTY/PC
1	M5 NUT	4
2	M5 WASHER	4
3	M5 SPRING WASHER	4
4	M3 PANEL SCREW	2
5	M3 PANEL WASHER	2

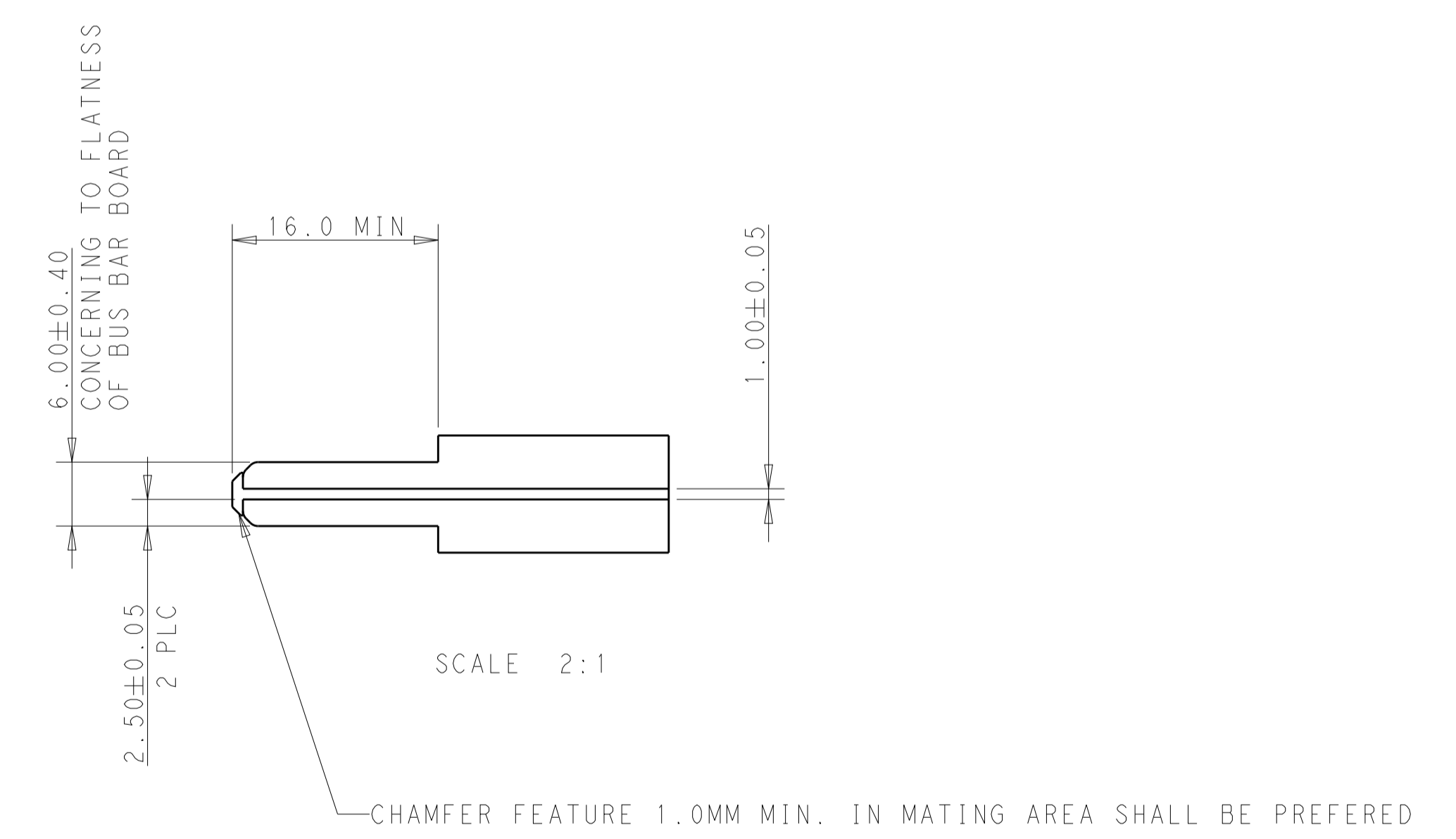


PRODUCT BOARD APPLICATION PREFERENCE VIEW  
P/N: 2204866-\*

SCALE 2:1



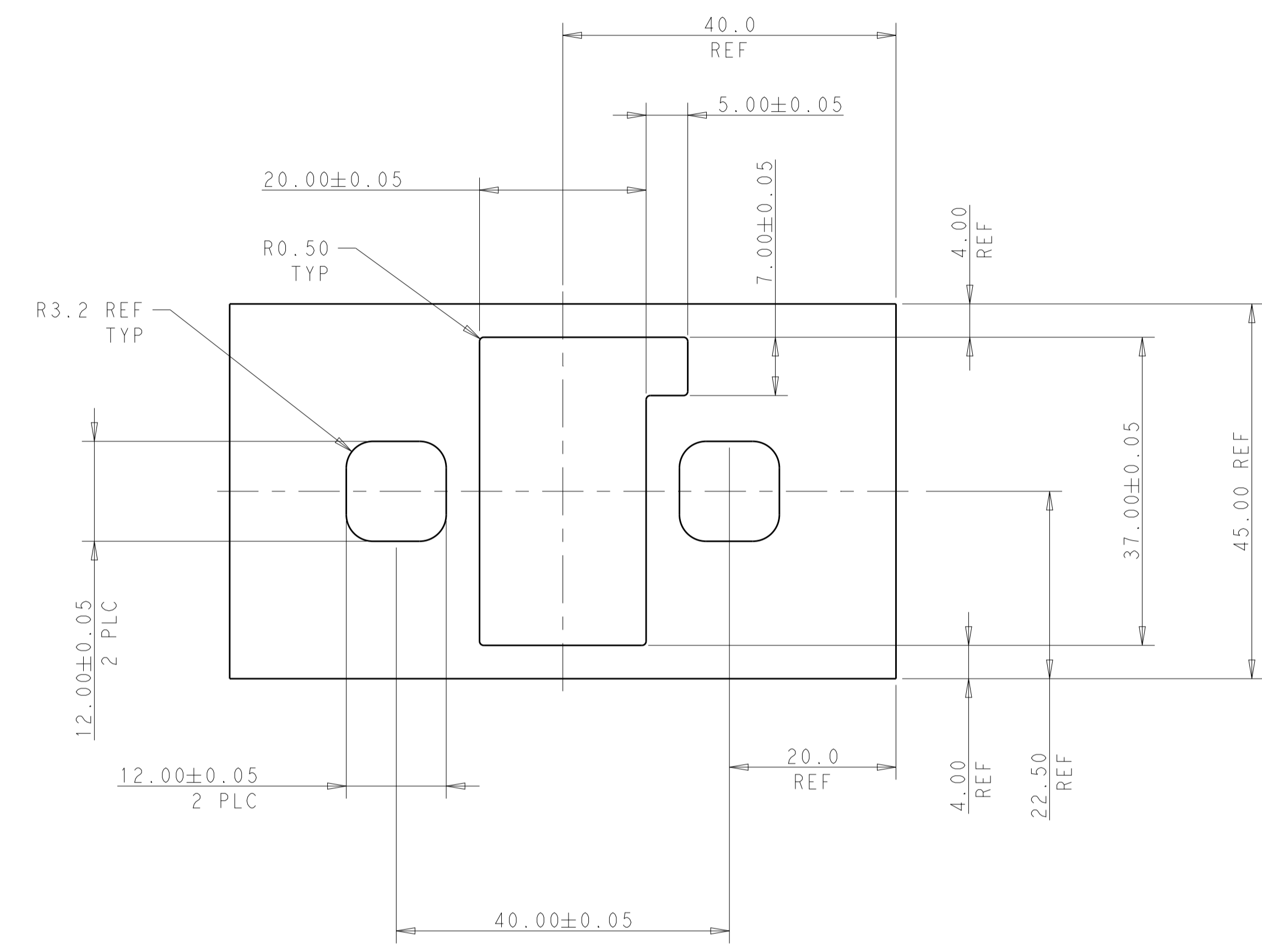
RECOMMENDED SEPARATE BUS BAR BOARD VIEW  
PLATING SPEC.: 3um Sn PLATING OVER 1.27um NICKEL BASE-PLATED ON COPPER



RECOMMENDED TAIL BUS BAR BOARD VIEW  
PLATING SPEC.: 3um SILVER PLATING OVER 1.27um NICKEL BASE-PLATED ON COPPER IN CONTACT AREA

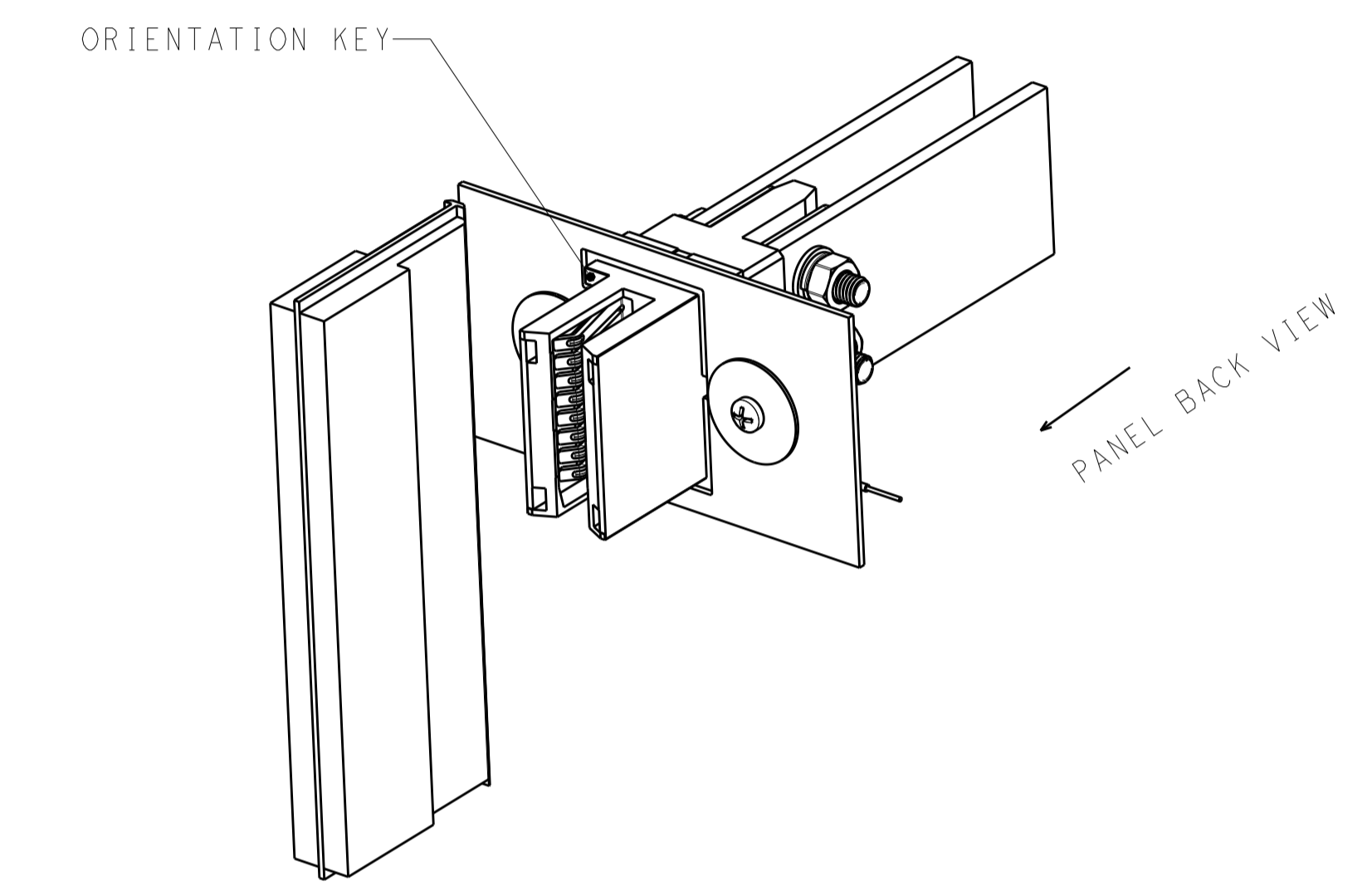
THIS DRAWING IS A CONTROLLED DOCUMENT.		DMN: MAC LIU 10JAN2017	 TE Connectivity
DIMENSIONS: mm		CHK: SUNY ZHAO 10JAN2017	
TOLERANCES UNLESS OTHERWISE SPECIFIED:		APVD: SUNY ZHAO 10JAN2017	NAME: CUSTOMER DRAWING DUAL-POLE RACK BUS BAR POWER CONN POWER CONNECTOR
0 PLC ±1 1 PLC ±0.5 2 PLC ±0.30 3 PLC ±0.150 4 PLC ±* ANGLES ±2°		PRODUCT SPEC: 108-128050 APPLICATION SPEC: 114-128051	
MATERIAL: -	FINISH: -	WEIGHT: -	RESTRICTED TO: -
CUSTOMER DRAWING		SCALE: 2:1	SHEET 2 OF 3 REV A2

REVISIONS				
P.	LTN	DESCRIPTION	DATE	OWN APVD
-	-	SEE SHEET 1	-	-



SCALE 2:1

REFERENCE PANEL BOARD LAYOUT BACK VIEW  
 THICKNESS 1.20MM



THIS DRAWING IS A CONTROLLED DOCUMENT.		DWN: MAC LIU 10JAN2017	
DIMENSIONS: mm		CHK: SUNY ZHAO 10JAN2017	
TOLERANCES UNLESS OTHERWISE SPECIFIED:		APVD: SUNY ZHAO 10JAN2017	NAME: CUSTOMER DRAWING
0 PLC ±1	1 PLC ±0.5	PRODUCT SPEC: 108-128050	DUAL-POLE RACK BUS BAR POWER CONN
2 PLC ±0.30	3 PLC ±0.150	APPLICATION SPEC: 114-128051	POWER CONNECTOR
4 PLC ±*	ANGLES ±2°	SIZE: A1	RESTRICTED TO: -
MATERIAL: -	FINISH: -	WEIGHT: -	CAGE CODE: C=2204866
CUSTOMER DRAWING		SCALE: 2:1	SHEET 3 OF 3
		REV: A2	