

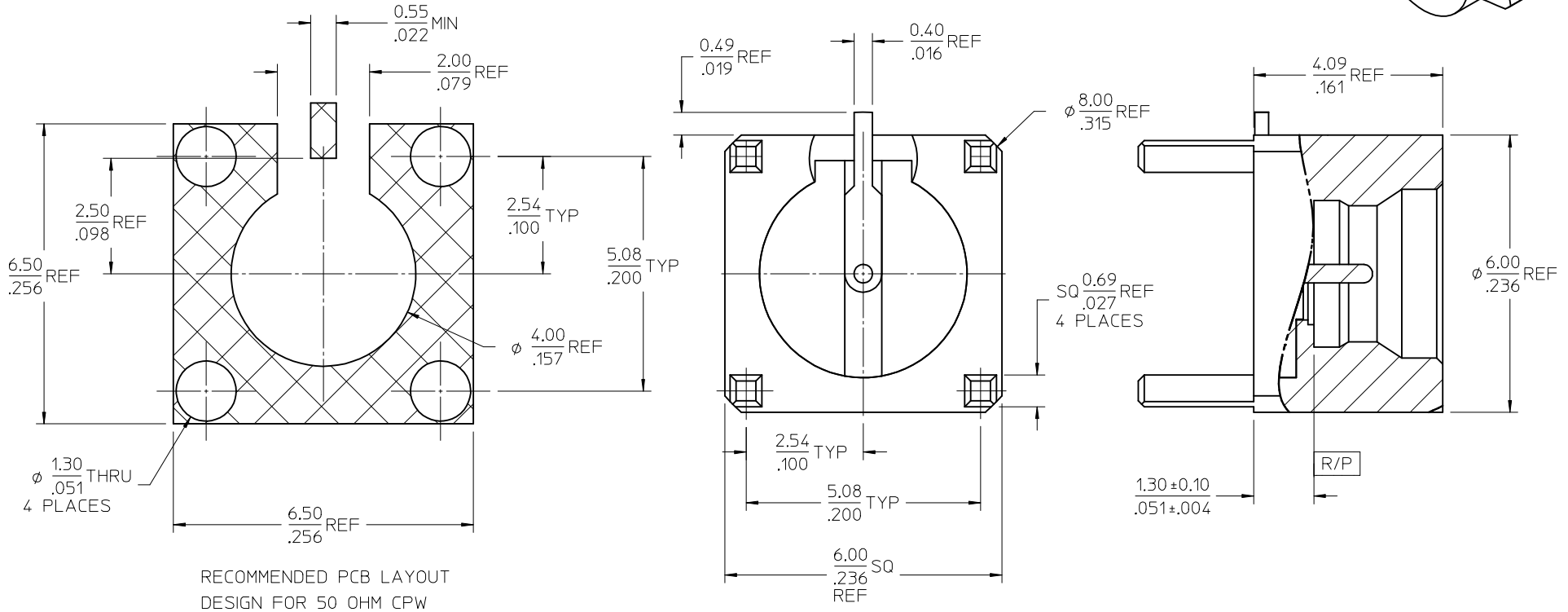
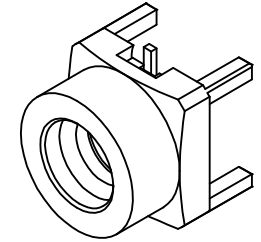
MATERIALS AND FINISHES:

TAPE: SEE SHEET 2

BODY, CONTACT: BRASS.
 PLATED: GOLD (30μ-in MIN)
 OVER NICKEL (100μ-in MIN)

REEL: SEE SHEET 3

INSULATOR: LCP



RECOMMENDED PCB LAYOUT
 DESIGN FOR 50 OHM CPW

73406-6033	TRAY
73406-6032	TAPE & REEL
73406-6031	TAPE & REEL WITH KAPTON TAPE
73406-6030	SINGLE PIECE PER BAG
PART NO.	DESCRIPTION

PS-89675-3320	PRODUCT SPECIFICATION
MIL-STD-348B, FIG. 326.2	INTERFACE SMP FD
SPECIFICATION	DESCRIPTION

CHG: ADD TOLERANCE TO DIM 1.30/.051 IN E4 ZONE
 UPD MATERIALS AND FINISHES NOTE:
 EC NO: URF2017-0394
 DRWNL: MEIER 2017/01/13
 CHKD: BBB 2017/01/13
 APPR: ROBERTSON 2017/06/28

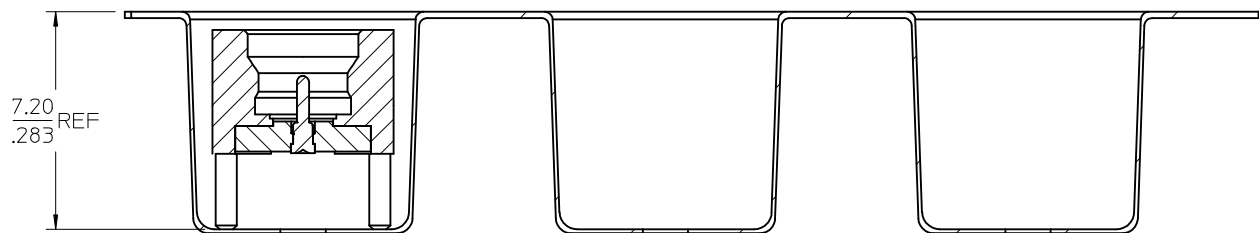
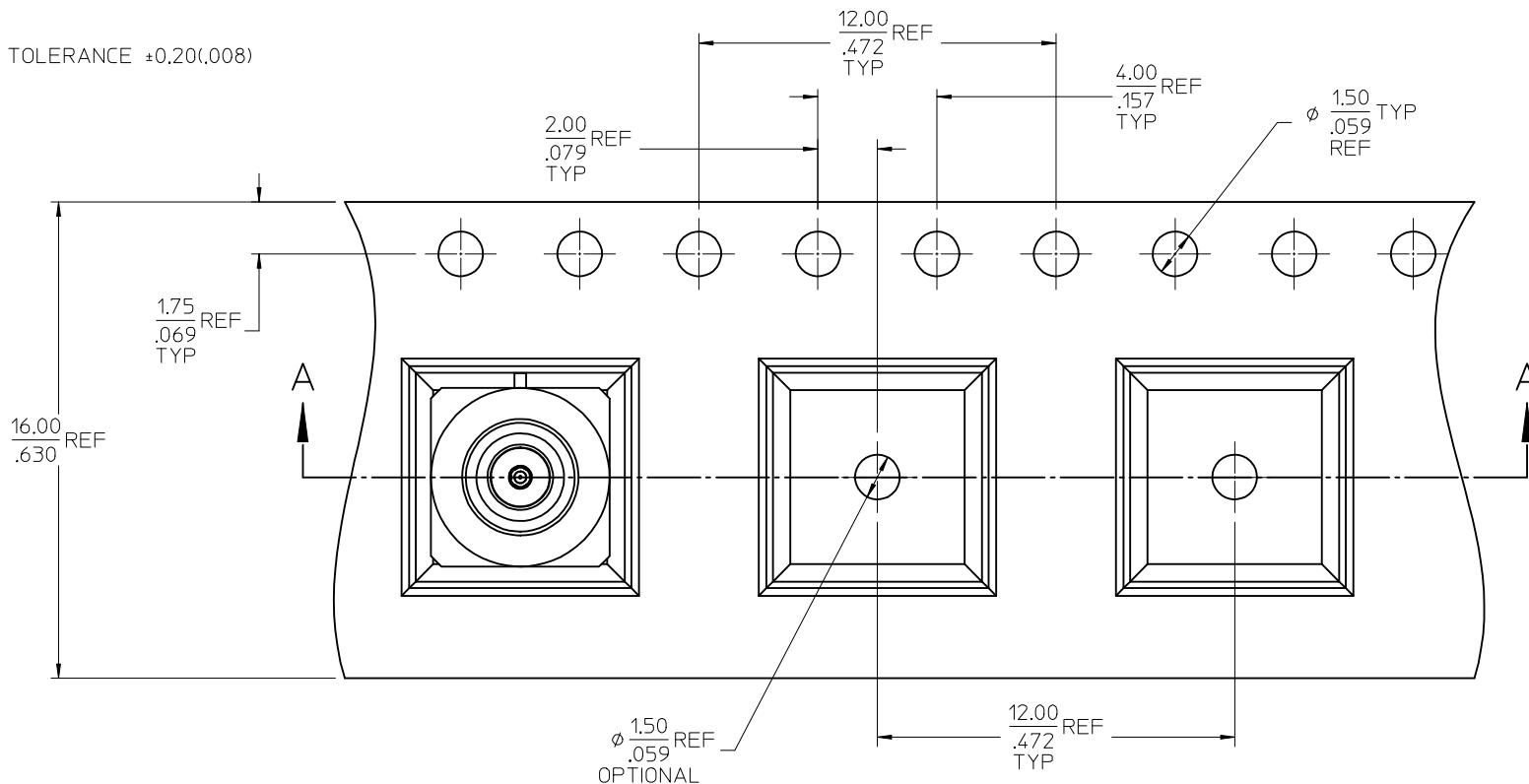
QUALITY SYMBOLS	DESCRIPTION
▽=0	
▽=0	
▽=0	

GENERAL TOLERANCES (UNLESS SPECIFIED)	
	MM/IN
4 PLACES	± .10 / ± .010
3 PLACES	± .10 / ± .010
2 PLACES	± 0.25 / ± .010
1 PLACE	± .10 / ± .010
0 PLACE	± .10 / ± .010
ANGULAR ± 2 °	
DRAFT WHERE APPLICABLE MUST REMAIN WITHIN DIMENSIONS	

DIMENSION STYLE	
MM/IN	
DRAWN BY	DATE
AZR	2008/07/16
CHECKED BY	DATE
SSS	2008/07/16
APPROVED BY	DATE
JDW	2008/07/16
MATERIAL NO.	
SEE TABLE	
SIZE	C

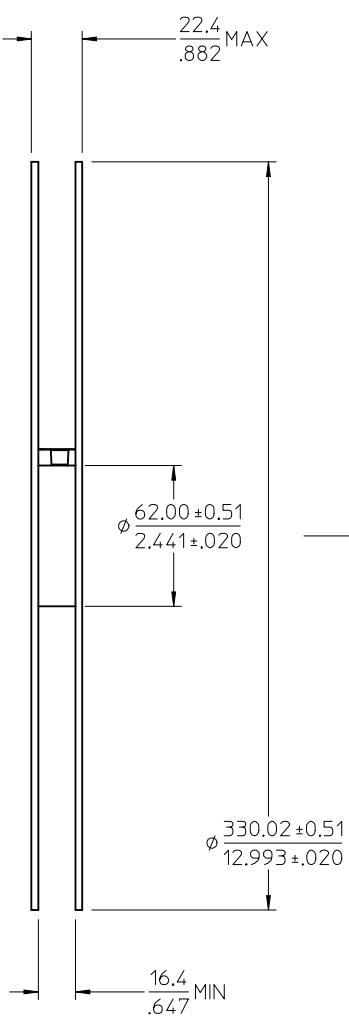
SCALE	DESIGN UNITS	THIRD ANGLE PROJECTION
	METRIC	☉
TITLE		
SMP PLUG FULL DETENT TH GROUND SMT SIGNAL SMP-P/PCB, EWR-3688		
molex		
DOCUMENT NO.		SHEET NO.
SD-73406-603		1 OF 3
THIS DRAWING CONTAINS INFORMATION THAT IS PROPRIETARY TO MOLEX INCORPORATED AND SHOULD NOT BE USED WITHOUT WRITTEN PERMISSION		

NOTE:
1. 10 PITCHES CUMULATIVE TOLERANCE ±0.20(.008)

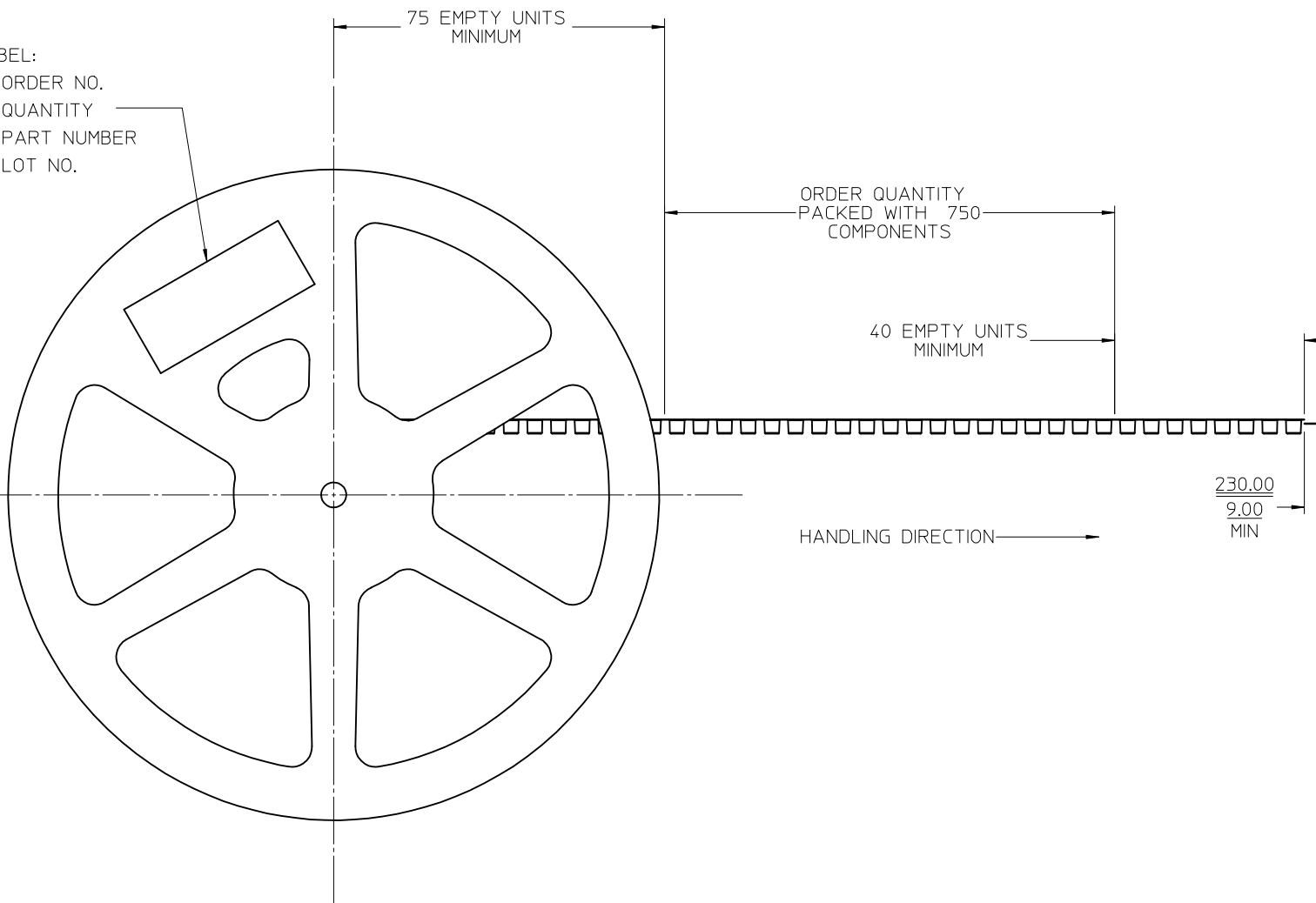


SECTION A-A

CHG: SEE SHEET 1 EC NO: URF2017-0394 DRWN: MEIER 2017/01/13 CHKD: HBB 2017/01/13 APPR: ARBERTSON 2017/06/28	QUALITY SYMBOLS ▽=0 ▽=0 ▽=0	GENERAL TOLERANCES (UNLESS SPECIFIED)		DIMENSION STYLE	SCALE	DESIGN UNITS	THIRD ANGLE PROJECTION
				MM/IN		METRIC	
REV A2	DESCRIPTION	DRAFT WHERE APPLICABLE MUST REMAIN WITHIN DIMENSIONS		DRAWN BY	DATE	TITLE	SHEET NO.
				AZR	2008/07/16	SMP PLUG FULL DETENT TH GROUND SMT SIGNAL SMP-P/PCB, EWR-3688	
		ANGULAR ± 2 °		CHECKED BY	DATE	molex	DOCUMENT NO.
				SSS	2008/07/16		
				APPROVED BY	DATE		
				JDW	2008/07/16		
				MATERIAL NO.			
				SEE SHEET 1			
				THIS DRAWING CONTAINS INFORMATION THAT IS PROPRIETARY TO MOLEX INCORPORATED AND SHOULD NOT BE USED WITHOUT WRITTEN PERMISSION			



LABEL:
 - ORDER NO.
 - QUANTITY
 - PART NUMBER
 - LOT NO.



CHG: SEE SHEET 1 EC NO: URF2017-0394 DRWN: MEIER 2017/01/13 CHKD: 888 2017/01/13 APPR: ROBERTSON 2017/06/28	DESCRIPTION REV	QUALITY SYMBOLS ▽=0 ▽=0 ▽=0	GENERAL TOLERANCES (UNLESS SPECIFIED)		DIMENSION STYLE	SCALE	DESIGN UNITS	THIRD ANGLE PROJECTION
			mm	INCH	MM/IN	METRIC		
A2			4 PLACES	± ---	± ---	DRAWN BY AZR	DATE 2008/07/16	TITLE SMP PLUG FULL DETENT TH GROUND SMT SIGNAL SMP-P/PCB, EWR-3688
			3 PLACES	± ---	± .010	CHECKED BY SSS	DATE 2008/07/16	molex
			2 PLACES	± 0.25	± ---	APPROVED BY JDW	DATE 2008/07/16	
			1 PLACE	± ---	± ---	MATERIAL NO.	DOCUMENT NO.	SHEET NO. 3 OF 3
			0 PLACE	± ---	± ---	SEE SHEET 1	SD-73406-603	
DRAFT WHERE APPLICABLE MUST REMAIN WITHIN DIMENSIONS			ANGULAR ± 2 °		THIS DRAWING CONTAINS INFORMATION THAT IS PROPRIETARY TO MOLEX INCORPORATED AND SHOULD NOT BE USED WITHOUT WRITTEN PERMISSION			