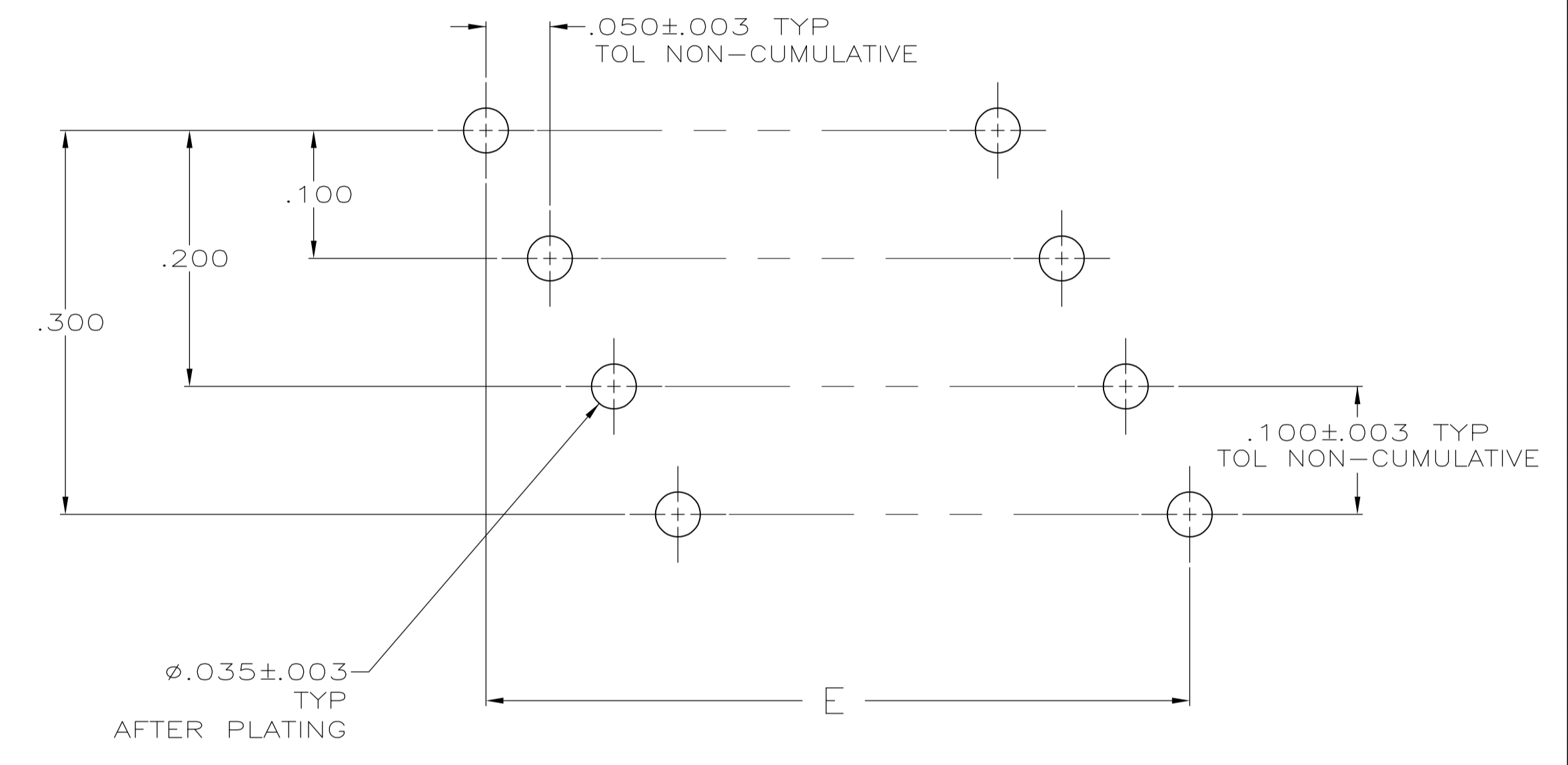
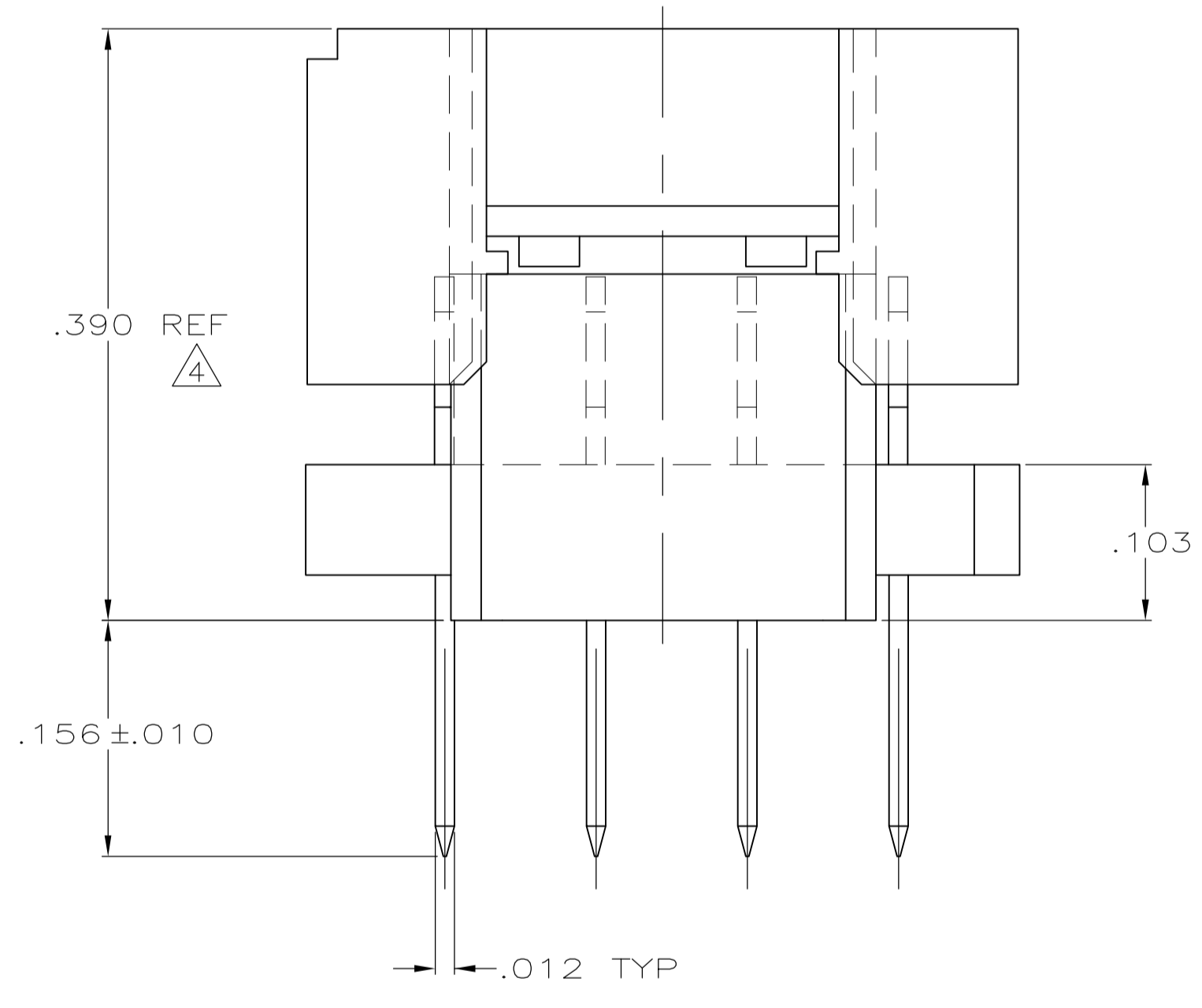
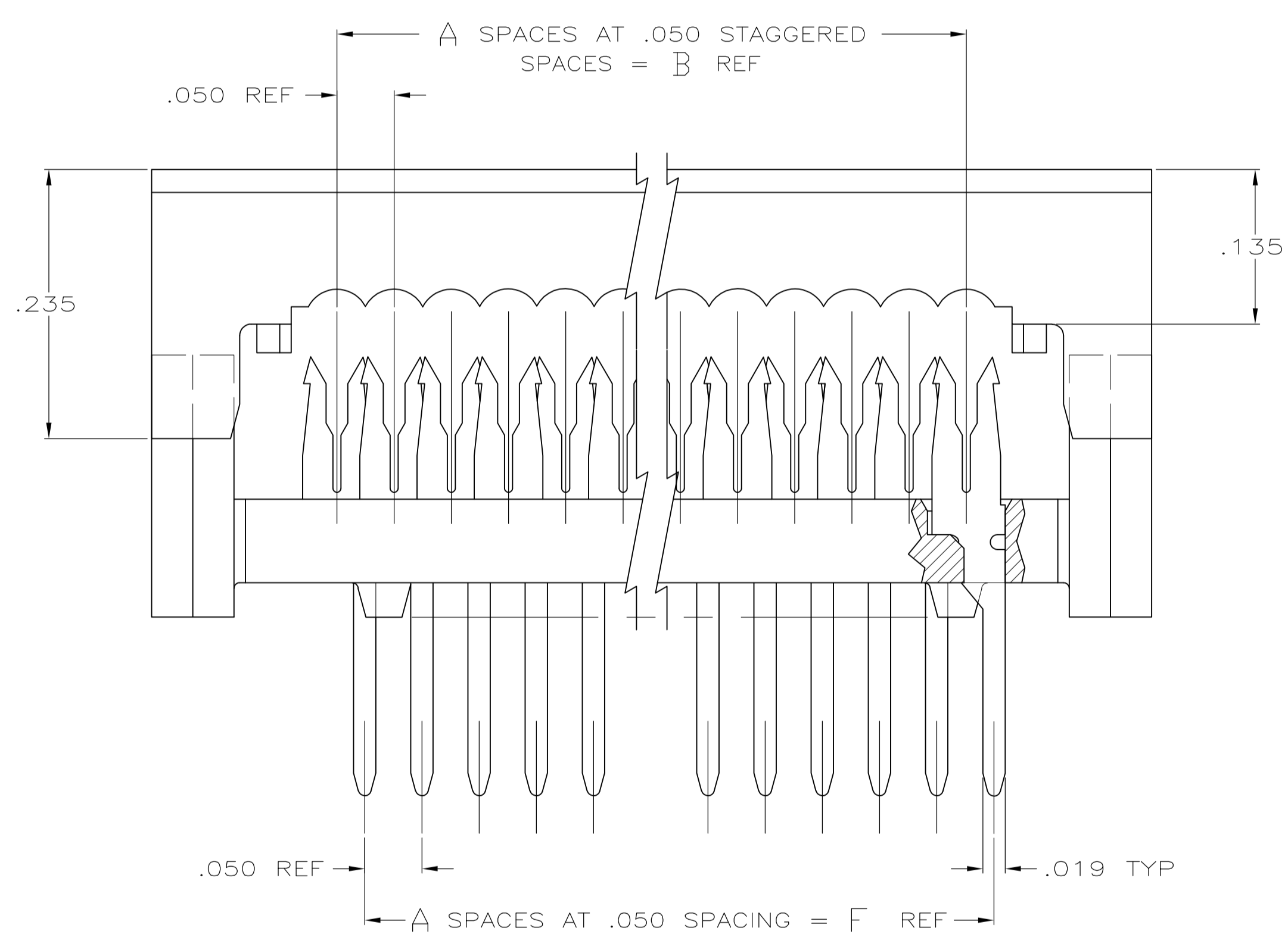
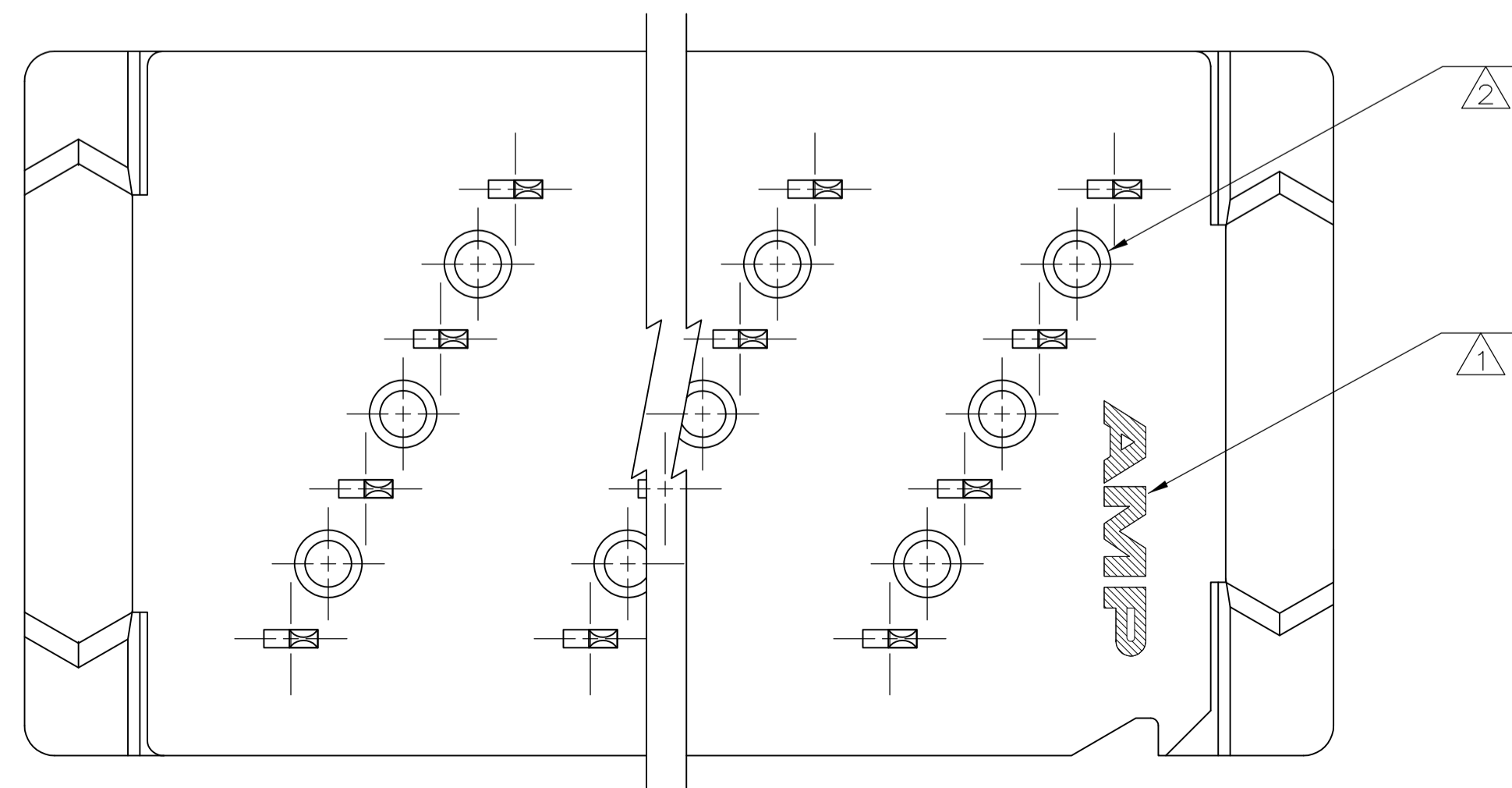


- 1 AMP TRADEMARK LOCATED IN APPROX AREA SHOWN.
- 2 STANDOFFS: POSN 12 (9) STANDOFFS AS SHOWN.  
 POSN 16 (12) STANDOFFS, 3 PER DIAGONAL ROW.  
 POSN 20 (15) STANDOFFS, 3 PER DIAGONAL ROW.  
 POSN 24 (18) STANDOFFS, 3 PER DIAGONAL ROW.  
 POSN 28 (21) STANDOFFS, 3 PER DIAGONAL ROW.  
 POSN 32 (24) STANDOFFS, 3 PER DIAGONAL ROW.  
 POSN 36 (27) STANDOFFS, 3 PER DIAGONAL ROW.  
 POSN 40 (30) STANDOFFS, 3 PER DIAGONAL ROW.  
 POSN 44 (33) STANDOFFS, 3 PER DIAGONAL ROW.  
 POSN 48 (36) STANDOFFS, 3 PER DIAGONAL ROW.  
 POSN 52 (39) STANDOFFS, 3 PER DIAGONAL ROW.  
 POSN 56 (42) STANDOFFS, 3 PER DIAGONAL ROW.  
 POSN 60 (45) STANDOFFS, 3 PER DIAGONAL ROW.
- 3 FINISH: BRIGHT TIN-LEAD .000100-.000200 THK OVER NICKEL .000050 MIN THK.
- 4 HEIGHT AFTER TERMINATION IS .238 REF.
- 5 FINISH: BRIGHT TIN .000100-.000200 THK OVER NICKEL .000050 MIN THK.



RECOMMENDED HOLE LAYOUT

|          |        |       |       |       |       |       |    |            |             |
|----------|--------|-------|-------|-------|-------|-------|----|------------|-------------|
|          | 5      | 1.950 | 1.950 | 2.274 | 1.950 | 1.950 | 39 | 40         | 5-111036-8  |
|          | 5      | .750  | .750  | 1.074 | .750  | .750  | 15 | 16         | 5-111036-2  |
| OBSOLETE | 3      | 2.950 | 2.950 | 3.274 | 2.950 | 2.950 | 59 | 60         | 1-111036-3  |
| OBSOLETE | 3      | 2.750 | 2.750 | 3.074 | 2.750 | 2.750 | 55 | 56         | 1-111036-2  |
| OBSOLETE | 3      | 2.550 | 2.550 | 2.874 | 2.550 | 2.550 | 51 | 52         | 1-111036-1  |
| OBSOLETE | 3      | 2.350 | 2.350 | 2.674 | 2.350 | 2.350 | 47 | 48         | 1-111036-0  |
| OBSOLETE | 3      | 2.150 | 2.150 | 2.474 | 2.150 | 2.150 | 43 | 44         | 111036-9    |
|          | 3      | 1.950 | 1.950 | 2.274 | 1.950 | 1.950 | 39 | 40         | 111036-8    |
| OBSOLETE | 3      | 1.750 | 1.750 | 2.074 | 1.750 | 1.750 | 35 | 36         | 111036-7    |
| OBSOLETE | 3      | 1.550 | 1.550 | 1.874 | 1.550 | 1.550 | 31 | 32         | 111036-6    |
| OBSOLETE | 3      | 1.350 | 1.350 | 1.674 | 1.350 | 1.350 | 27 | 28         | 111036-5    |
| OBSOLETE | 3      | 1.150 | 1.150 | 1.474 | 1.150 | 1.150 | 23 | 24         | 111036-4    |
| OBSOLETE | 3      | .950  | .950  | 1.274 | .950  | .950  | 19 | 20         | 111036-3    |
|          | 3      | .750  | .750  | 1.074 | .750  | .750  | 15 | 16         | 111036-2    |
| OBSOLETE | 3      | .550  | .550  | .874  | .550  | .550  | 11 | 12         | 111036-1    |
|          | FINISH | F     | E     | D     | C     | B     | A  | NO OF POSN | PART NUMBER |



THIS DRAWING IS A CONTROLLED DOCUMENT. **STE** TE Connectivity

APPROVED: J. PEACHEY 05-MAR-86  
 CHK: M. SCULLY 23-MAY-86  
 NAME: D. HOFFMAN 23-MAY-86

PRODUCT SPEC: KIT, AMP-LATCH PADDLEBOARD PREASSEMBLED, .156 LONG POSTS FULL ROW, FULL TIN PLATED CONTACTS

APPLICATION SPEC: 114-40005  
 SIZE: A1  
 CAGE CODE: 00779  
 DRAWING NO: 111036  
 WEIGHT: —  
 CUSTOMER DRAWING

MATERIAL: MOLDED PARTS: 94V-0 RATED THERMOPLASTIC, COLOR BLACK CONTACTS: PH BRZ PER QQ-B-750

FINISH: CONTACTS

SCALE: 10:1 SHEET 1 OF 1 REV J