

MATERIALS & SPECIFICATIONS

PART NO.	A 29052-065	REV	ECO	DATE	APP
		A	102580	05-11-16	TLM

HOUSING:
ALUMINUM 6061-T6,
NICKEL PLATE PER SAE-
AMS-2404

INSULATOR:
LIQUID CRYSTAL POLYMER
(LCP) PER ASTM D5138

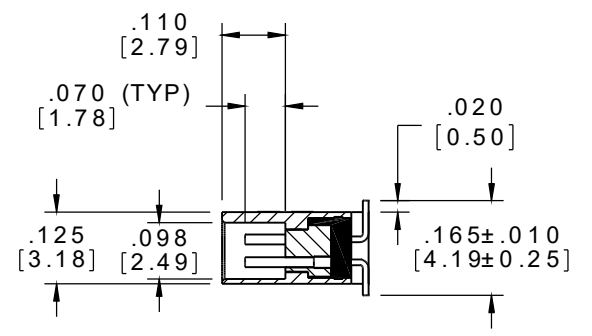
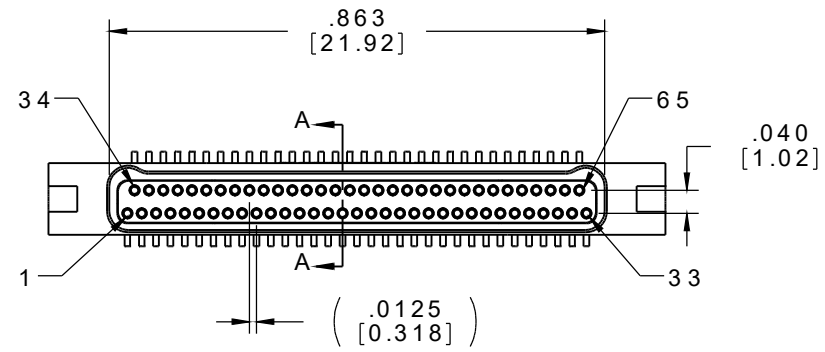
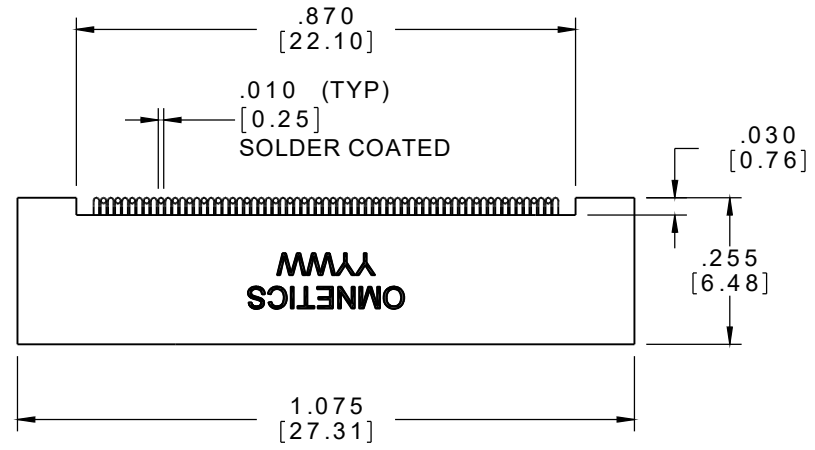
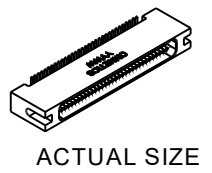
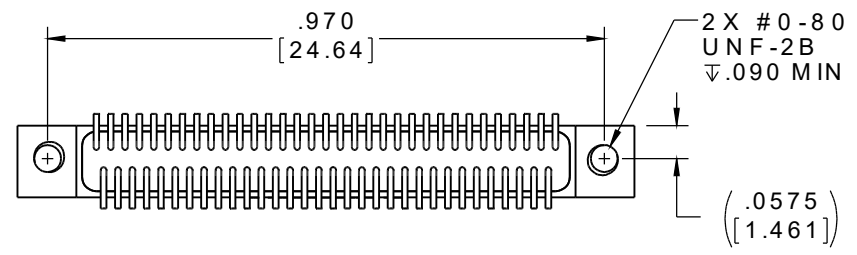
CONTACTS:
COPPER ALLOY PER MIL-
DTL-32139, GOLD
PLATED PER ASTM B488,
(HARD GOLD) TYPE II
CODE C, CLASS 1.27

TERMINATION:
SOLDER COATED WITH
SN63A
PER J-STD-006

CURRENT RATING:
1 AMP MAX PER MIL-
DTL-32139

CONTACT RESISTANCE:
71 MILLIOHM MAX (71mV
DROP MAX) @ 1.0 AMPS
PER MIL-DTL-32139

PERFORMANCE:
PRODUCT FAMILY TESTED
TO AND PASSED THE
PERFORMANCE
SPECIFICATIONS OF TABLE
VIII OF MIL-DTL-32139

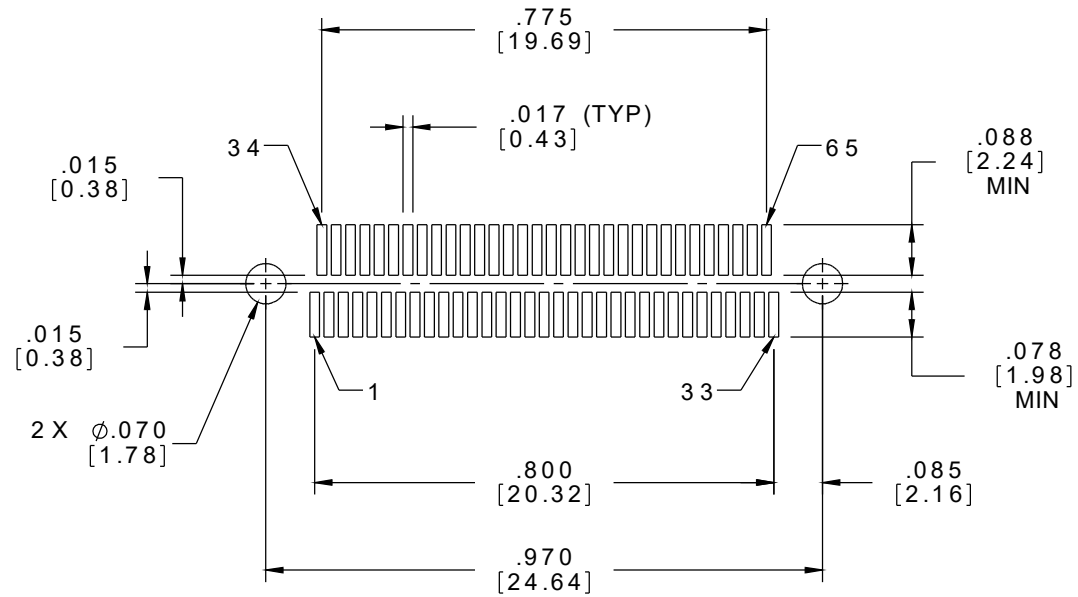


NOTE:
SEE SHEET 2 FOR PAD
LAYOUT

DIMENSIONS IN [] ARE IN
MILLIMETERS UNLESS
OTHERWISE NOTED AND ARE
FOR REFERENCE ONLY

MNSL /SLDW	THIRD ANGLE	THIS DRAWING CONTAINS CONFIDENTIAL AND PROPRIETARY INFORMATION WHICH IS THE PROPERTY OF OMNETICS CONNECTOR CORP. THIS DOCUMENT MAY NOT, IN WHOLE OR IN PART, BE DUPLICATED, OR DISCLOSED FOR ANY PURPOSE, WITHOUT WRITTEN PERMISSION FROM OMNETICS CONNECTOR CORP.		OMNETICS CONNECTOR CORPORATION 7260 COMMERCE CIRCLE EAST MINNEAPOLIS, MN 55432 WWW.OMNETICS.COM	CAGE CODE 61873	
	-TOLERANCES- UNLESS OTHERWISE NOTED DIMENSIONS IN INCHES	DFTM. TLM	DATE 05-10-16		TITLE: (65) SOCKET FEMALE LATCHING Bi-Lobe® CONNECTOR	DWG NO. A29052-065
	2 PL DEC ± .01	CHK'D.	DATE		SHEET 1 OF 2	
	3 PL DEC ± .005	APP'D.	DATE		REV A	SCALE: 3:1

PART NO.	A 29052-065	REV	ECO	DATE	APP
		A	102580	05-11-16	TLM



SUGGESTED PAD LAYOUT

MNSL /SLDW	THIRD ANGLE	THIS DRAWING CONTAINS CONFIDENTIAL AND PROPRIETARY INFORMATION WHICH IS THE PROPERTY OF OMNETICS CONNECTOR CORP. THIS DOCUMENT MAY NOT, IN WHOLE OR IN PART, BE DUPLICATED, OR DISCLOSED FOR ANY PURPOSE, WITHOUT WRITTEN PERMISSION FROM OMNETICS CONNECTOR CORP.		OMNETICS	CAGE CODE 61873	
	-TOLERANCES- UNLESS OTHERWISE NOTED DIMENSIONS IN INCHES	DFTM. TLM	DATE 05-10-16		TITLE:	DWG NO.
	2 P L D E C ± .01	CHK'D.	DATE	(65) SOCKET FEMALE	CONNECTOR CORPORATION	
	3 P L D E C ± .005	APP'D.	DATE	LATCHING Bi-Lobe® CONNECTOR	7260 COMMERCE CIRCLE EAST MINNEAPOLIS, MN 55432 WWW.OMNETICS.COM	
4 P L D E C ± .0005				SHEET 2 OF 2		REV A
ANGLES ± 1°				SCALE: 3:1		