

4

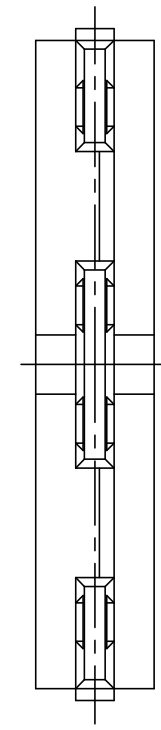
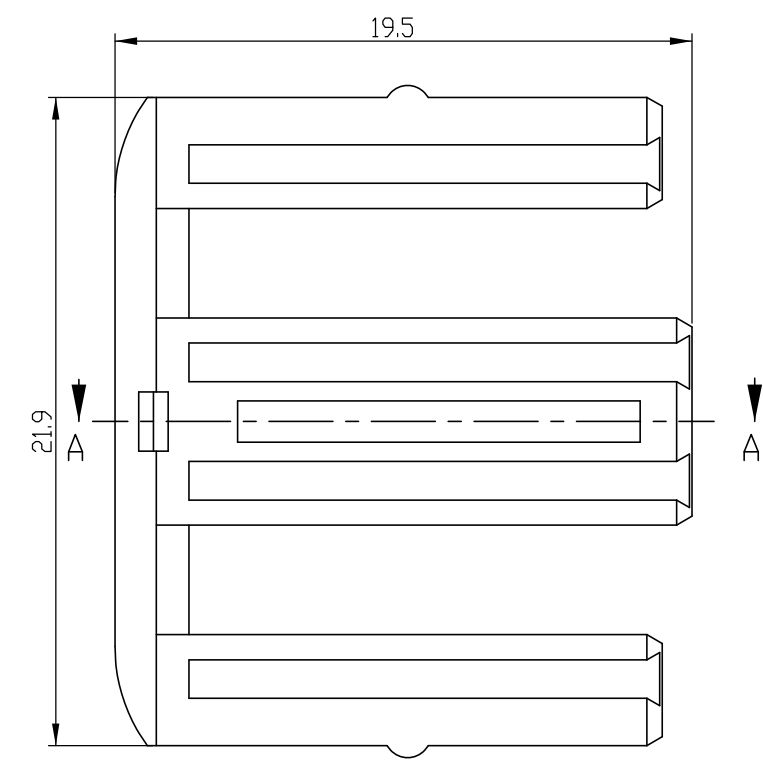
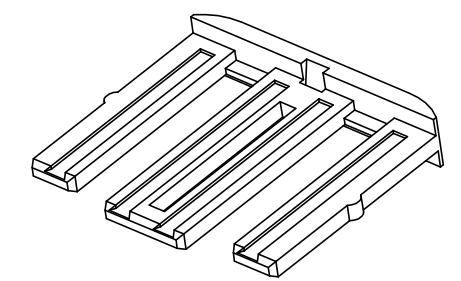
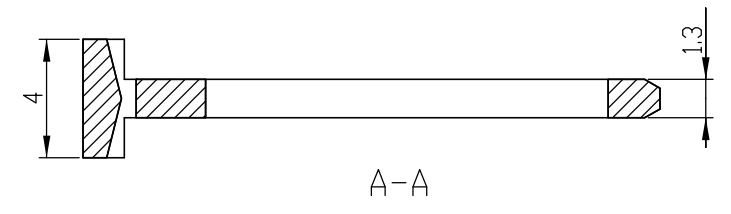
3

2

1

THIS DRAWING IS UNPUBLISHED. RELEASED FOR PUBLICATION
© COPYRIGHT BY TYCO ELECTRONICS CORPORATION. ALL RIGHTS RESERVED.

LOC	DIST	REVISIONS					
		P	LTR	DESCRIPTION	DATE	DWN	APVD
DS	-		A	RELEASED	07.FEB.'11	YH	HG



NOTE.
 1.MATING CONN'R ASSY P/N: 2005217
 2.APPLICATION TEST SPEC: MS210-12[EXT-2](EXCEPT 4.4)

WINE RED	PA66-GF30	RETAINER HSG	2005222-6
COLOR	MATERIAL	DESCRIPTION	P/N

<small>THIS DRAWING IS A CONTROLLED DOCUMENT FOR TYCO ELECTRONICS CORPORATION IT IS SUBJECT TO CHANGE AND THE CONTROLLING ENGINEERING ORGANIZATION SHOULD BE CONTACTED FOR THE LATEST REVISION.</small>		DWN YH MA CHK KT LIM APVD HG CHD PRODUCT SPEC APPLICATION SPEC WEIGHT		AMP KOREA kyungsan, korea	
DIMENSIONS: MM		TOLERANCES UNLESS OTHERWISE SPECIFIED: ± DECIMALS: ±0.5 ± ANGLES: ±3°		NAME MQS RETAINER HSG FOR TCU 32P PLUG ASS'Y	
3rd ANGLE PROJECTION		MATERIAL		SIZE: A3 CAGE CODE: 00779 DRAWING NO: ©-2005222 RESTRICTED TO	
FINISH		CUSTOMER DRAWING		SCALE: 4:1 SHEET: 1 OF 1 REV: A	