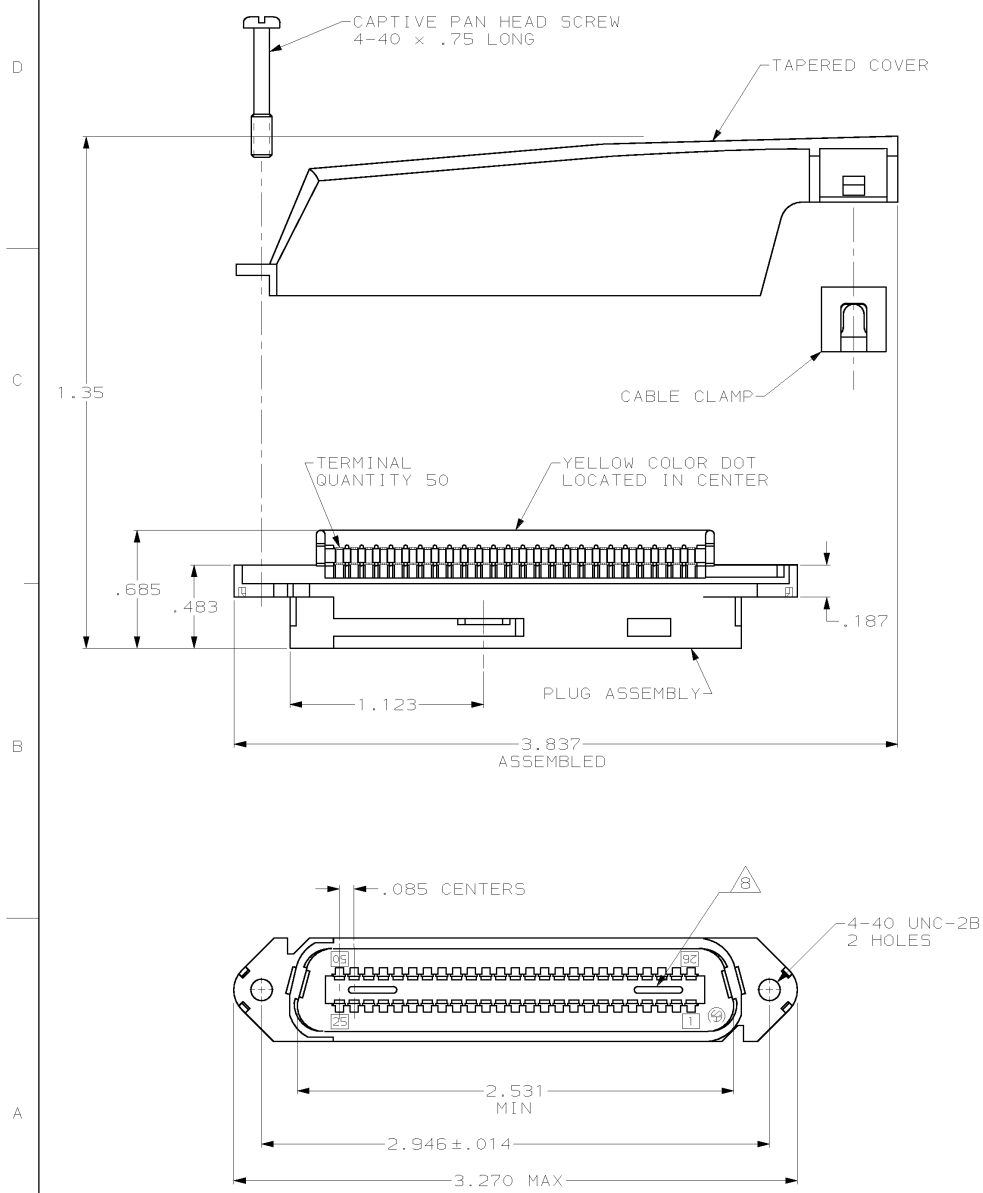


LOC	DIST	REVISIONS					
AA	22	P	LTR	DESCRIPTION	DATE	OWN	APVD
		P		OBSOLETE; -4; EC 0515-0014-03	17APR03	DLD	RPM



- ⚠ MATERIAL: HOUSING, COVERS AND CABLE CLAMP - THERMOPLASTIC. SEE TABLE FOR COLOR. TERMINALS - GOLD OVER NICKEL PLATED HIGH STRENGTH COPPER ALLOY.
- 2. THE CONTACT SURFACES OF THE TERMINALS ARE COATED WITH LUBRICANT.
- 3. ALL DIMENSIONS SHOWN ARE FOR REFERENCE ONLY UNLESS OTHERWISE SPECIFIED.
- 4. CENTER-TO-CENTER SPACING OF TERMINALS IS .085.
- 5. WIRE SIZE: 26-27-28 AWG 7 STRANDS OF COPPER CONDUCTORS. MAX INSULATION DIAMETER OF .045 IS ACCEPTABLE FOR MOST APPLICATIONS.
- 6. COVERS AND HARDWARE SHIPPED UNASSEMBLED.
- 7. KIT SHIPPED IN POLY BAG FORM.
- ⚠ CORING MAY OR MAY NOT APPEAR AND IS AT THE DISCRETION OF TYCO ENGINEERING.

OBSOLETE	GRAY	552402-4
	BLACK	552402-1
	COLOR	PART NUMBER

THIS DRAWING IS A CONTROLLED DOCUMENT.		DRN A. HOLT	14-FEB-97	AMP Incorporated Harrisburg, PA 17105-3608
DIMENSIONS: INCHES		CHK M. FRIEL	14-FEB-97	
TOLERANCES UNLESS OTHERWISE SPECIFIED:		APVD J. WILKERSON	14-FEB-97	
0 PLC ±.0005 1 PLC ±.0005 2 PLC ±.0005 3 PLC ±.0005 4 PLC ±.0005 ANGLES ±.0005		NAME J. WILKERSON PRODUCT SPEC APPLICATION SPEC WEIGHT RESTRICTED TO		
MATERIAL	FINISH	SIZE CASE CODE (DRAWING NO) A2 00779 C-552402		SCALE 2:1
CUSTOMER DRAWING		SHEET 1 OF 1		REV P

552402