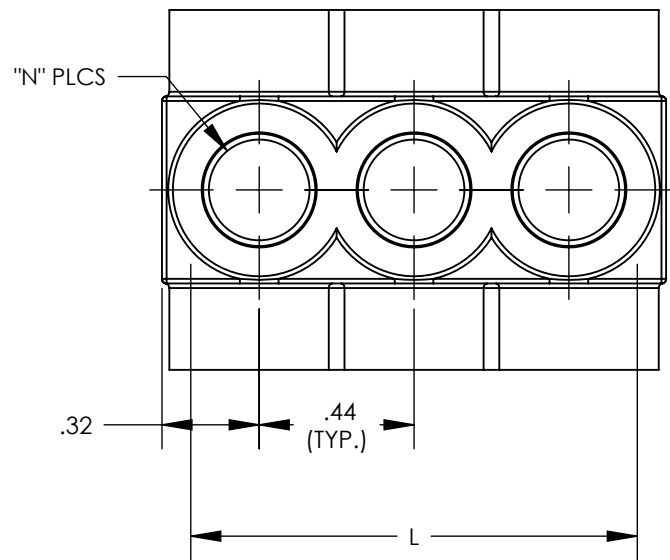
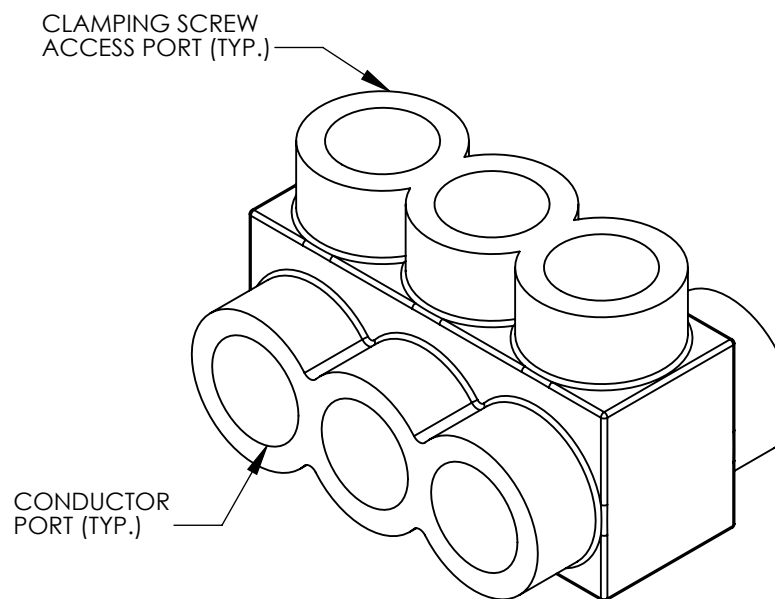
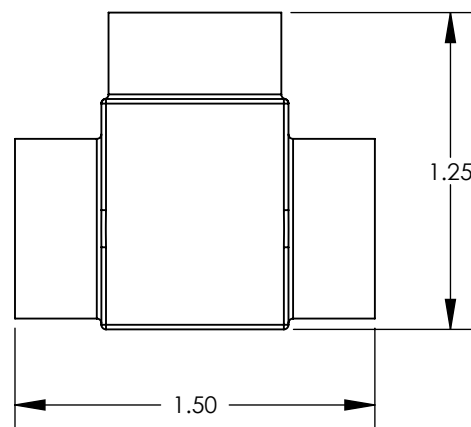
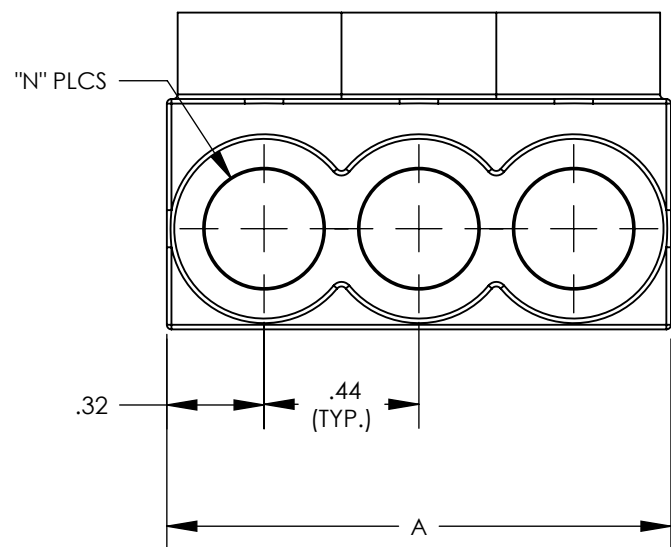


THIS COPY IS PROVIDED ON A RESTRICTED BASIS AND IS NOT TO BE USED IN ANY WAY DETRIMENTAL TO THE INTERESTS OF PANDUIT CORP.

| PANDUIT PART NUMBER | CONDUCTOR RATING | HEX KEY | SCREW QUANTITY | CAP (SCREW PORT) QUANTITY | CAP (WIRE PORT) QUANTITY | A | L | N | TIGHTENING TORQUE |
|---------------------|-------------------------------|---------|----------------|---------------------------|--------------------------|-------|-------|----|--|
| PCSB4-2-12Y | #4 - #14 STR #10 - #14 SOL | 1/8" | 2 | 2 | 4 | 1.08 | 0.83 | 2 | #10 - #14 = 45 IN-LBS #4 - #8 = 50 IN-LBS |
| PCSB4-3-12Y | | | 3 | 3 | 6 | 1.518 | 1.268 | 3 | |
| PCSB4-4-6Y | | | 4 | 4 | 8 | 1.956 | 1.706 | 4 | |
| PCSB4-5-6Y | | | 5 | 5 | 10 | 2.394 | 2.144 | 5 | |
| PCSB4-6-6Y | | | 6 | 6 | 12 | 2.832 | 2.582 | 6 | |
| PCSB4-8-4Y | | | 8 | 8 | 16 | 3.708 | 3.458 | 8 | |
| PCSB4-10-4Y | | | 10 | 10 | 20 | 4.584 | 4.334 | 10 | |
| PCSB4-12-3Y | | | 12 | 12 | 24 | 5.46 | 5.21 | 12 | |
| PCSB4-14-2Y | | | 14 | 14 | 28 | 6.336 | 6.086 | 14 | |



THREE PORT CONNECTOR BLOCK SHOWN WITH PLASTIC CLOSURE PLUGS REMOVED. SEE TABLE FOR DIMENSIONS OF PARTS WITH ADDITIONAL PORTS



NOTES:

- UL486A-UL486B LISTED, DUAL RATED CU9AL FOR ALUMINUM OR COPPER CONDUCTORS. MEETS OR EXCEEDS ANSI C119.4
- SEE TABLE FOR WIRE RANGE.
- STRIP LENGTH: .56 +.06/-0
- SEE PACKAGE LABEL FOR TIGHTENING TORQUE SPECIFICATIONS.
- VOLTAGE RATING: 600 V. MAX. BUILDING WIRE, 1000 V. MAX. IN SIGNS & FIXTURES.
- TEMPERATURE RATING: 90 °C (CU9AL).
- CONNECTOR BLOCK BODY ARE MADE FROM ALUMINUM. CONDUCTOR PORTS IN CONNECTOR BLOCK ARE PREFILLED WITH AN OXIDE-INHIBITING COMPOUND.
- CONNECTOR TO INCLUDE ZINC PLATED STEEL CLAMPING SCREWS FOR EACH CONDUCTOR PORT.
- INSULATION MATERIAL IS CLEAR PVC.
- CLAMPING SCREW ACCESS PORTS AND ALL WIRE ENTRY PORTS ARE PROVIDED WITH REMOVABLE PLASTIC CLOSURE PLUGS.
- ALL DIMENSIONS SHOWN ARE NOMINAL.
- ONLY ONE CONDUCTOR PER PORT ALLOWED.
- PACKAGE QTY: -12 = 12 PCS.
-6 = 6 PCS.
-4 = 4 PCS.
- THIS PART IS RoHS COMPLIANT

| REV | DATE | BY | CHK | APR | DESCRIPTION | ECN | TITLE | ITEM REVISION NAME | DRAWING NUMBER | SIZE |
|-----|------|------|------|-----|--|-----------------|---|--------------------|----------------|------|
| | | | | | | | MULTI-TAP INSULATED CONNECTORS PCSB4 SERIES CUSTOMER DRAWING | N41573BB-C41573/07 | C41573 | B |
| 07 | 6/19 | JHNU | TMR | RGB | REVISED WIRE RANGE FORMAT REVISED TIGHTENING TORQUE | 048653 | | | | |
| 06 | 1/16 | JHNU | JHNU | RGB | REVISED DIM: .32 WAS .42, .44 WAS .67 REVISED A AND L DIM'S FOR ALL PART NUMBERS REVISED NOTE 2: .56 WAS .50 REVISED NOTE 8: ZINC PLATED STEEL WAS TIN PLATED ALUM. REVISED NOTE 4 | N41573BB-C41573 | UNLESS OTHERWISE SPECIFIED, DIMENSIONAL TOLERANCES ARE: IN [mm] .X ± .XXX ± .XX ± .02 ANGLES ± | | | |
| 05 | 2/13 | JHNU | JHNU | RGB | REVISED TITLE BLOCK | N41573BB-C41573 | THIRD ANGLE PROJECTION | | | |
| | | | | | | | DRAWN BY MS DATE 8/99 CHK RLS SCALE NONE SHEET 1 OF 1 | | | |

