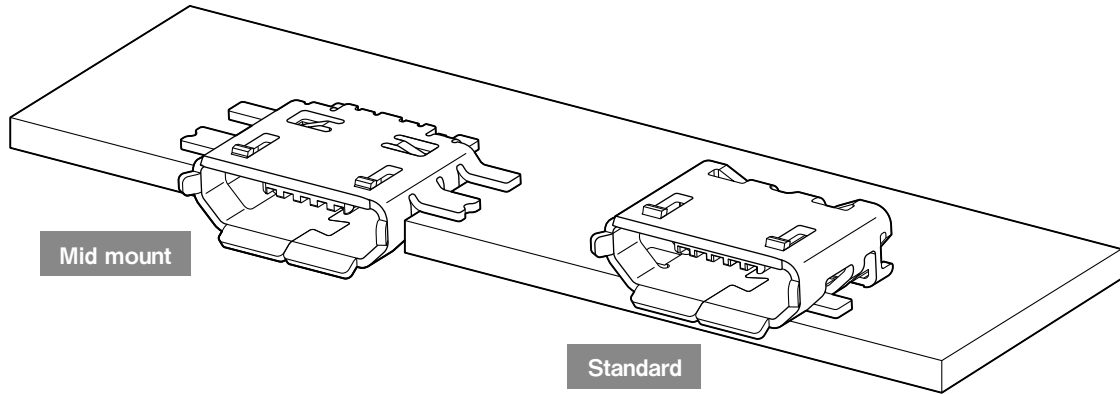




UB CONNECTOR Micro USB

USB(Universal Serial Bus) standard-compliant connector



This connector is an interface connector for cellular phones and other mobile devices compliant with Micro USB (USB2.0) standard.

- It is a space saving design of about 50% reduction in mounting area compared with Mini USB. (Standard B type)
- 10,000 cycles durability
- Right angle SMT configuration

■ Specifications

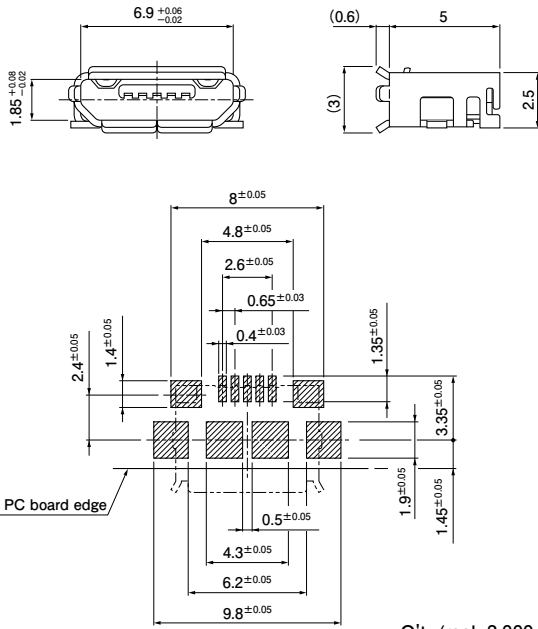
- Current rating :
 - When using only signal line
Signal line (when using the contacts from No.2 to 4.)
: 1.0 A/Line AC/DC
 - When using power supply line
Power supply line (when using the contacts No.1 and 5.)
: 1.8 A/Line AC/DC
 - Signal line (when using the contacts from No.2 to 4.)
: 0.5 A/Line AC/DC
 - Voltage rating: 30 V AC/DC
 - Temperature range: -25°C to +85°C
(including temperature rise in applying electrical current)
 - Contact resistance: Initial value/30 mΩ max.
After environmental tests/ 50 mΩ max.
(variation from initial value)
 - Insulation resistance: 1,000 MΩ min.
 - Withstanding voltage: There shall be no breakdown or flashover while applying 100 VAC for one minute.
- * In using the products, refer to "Handling Precaution for Terminals and Connectors" described on our website (Technical documents of Product information page).
- * RoHS2 Compliance
 - * Dimensional unit: mm
 - * Contact JST for details

UB CONNECTOR Micro USB

Receptacle

Standard B type

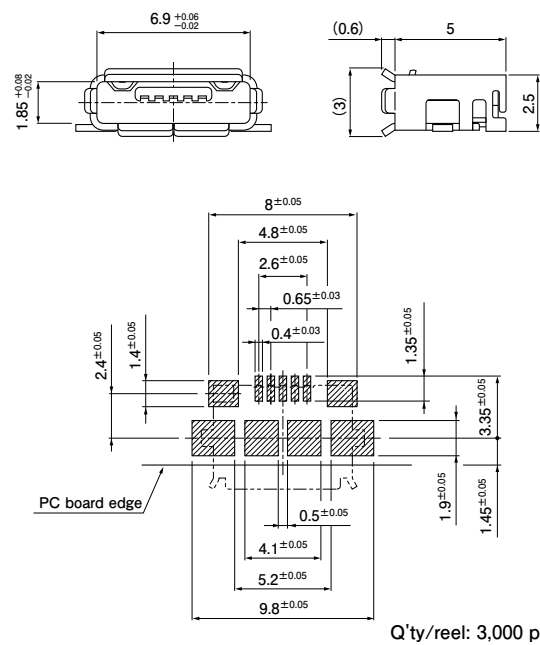
TID No.: 60001357



Model No.	Material and Surface finish, etc.
UB-MC5BR3-SD204-4S-1-TB	Contact: Copper alloy, nickel-undercoated, gold-plated Housing: Heat resisting resin, UL94V-0, black Shell: Stainless, nickel-undercoated, tin-plated

Standard AB type

TID No.: 60001359

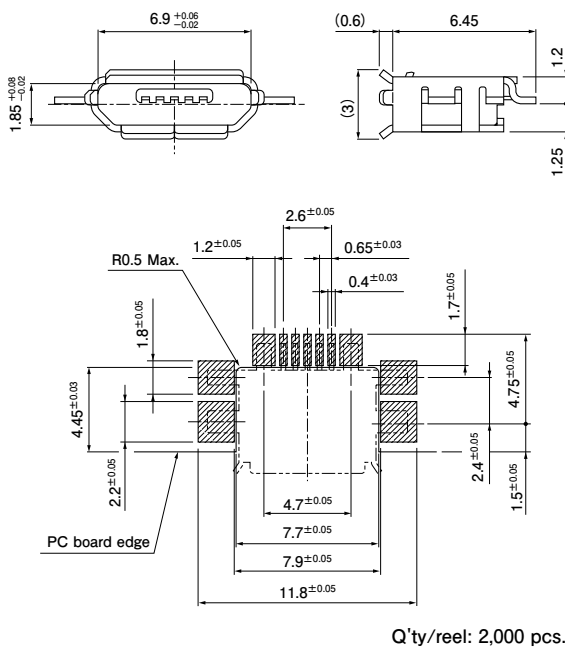


Model No.	Material and Surface finish, etc.
UB-MC5ABR3-SD204-4S-1-TB	Contact: Copper alloy, nickel-undercoated, gold-plated Housing: Heat resisting resin, UL94V-0, gray Shell: Stainless, nickel-undercoated, tin-plated

Mid mount B type

Mounting height: 1.2 mm

TID No.: 62001355



Model No.	Material and Surface finish, etc.
UB-MC5BR3-M404-4S-TB	Contact: Copper alloy, nickel-undercoated, gold-plated Housing: Heat resisting resin, UL94V-0, black Shell: Stainless, nickel-undercoated, tin-plated