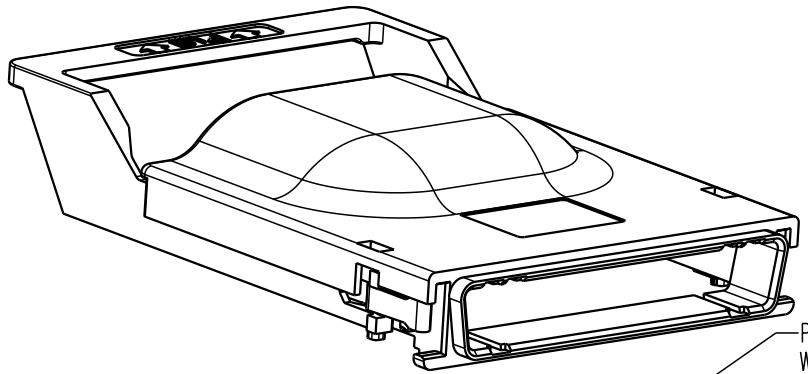
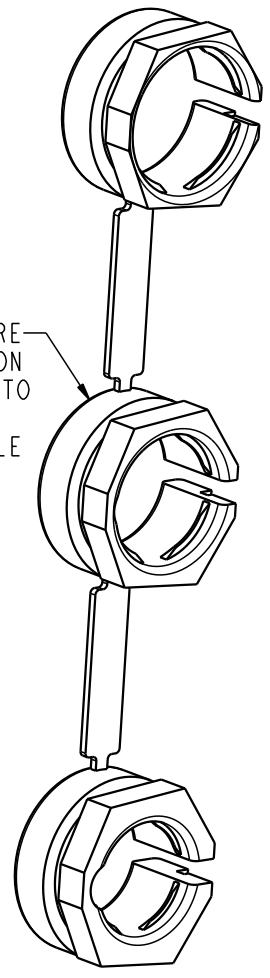


PRODUCT NUMBER  
SEE TABLE

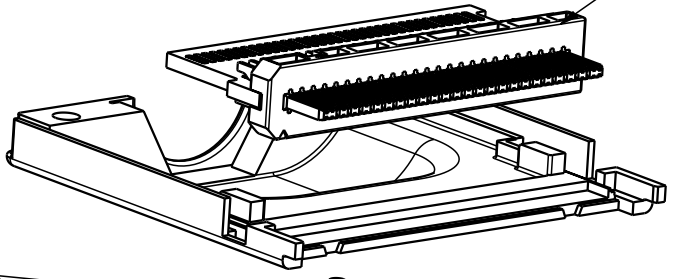
Tous droits strictement réservés. Reproduction ou communication à des tiers interdite sous quelque forme que ce soit sans autorisation écrite du propriétaire. Propriété de FCI. Droits de reproduction FCI.



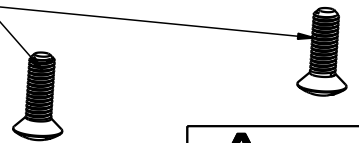
CABLE COLLAR, 3 SIZES ARE PROVIDED, SEE APPLICATION SPECIFICATION: GS-20-026 TO SELECT THE CORRECT SIZE FOR THE DIAMETER OF CABLE



PLUG ASSEMBLY WITH OR WITHOUT PCB  
SEE CHART ON SHEET 5.



M2.5 x 0.45 OVAL HEAD SCREWS



All rights strictly reserved. Reproduction or issue to third parties in any form whatever is not permitted without written authority from the proprietor. Property of FCI. Copyright FCI.

TOLERANCES UNLESS OTHERWISE SPECIFIED			
LINEAR	0.X	±.3	
	0.XX	±.10	
	0.XXX	±.050	
ANGULAR	0°	±2°	

rev	ecn no	dr	date
C	V03-0415	GIP	04/15/03
D	V03-0796	GIP	07/21/03
E	V05-0528	DAI	06/30/05
F	V04-0008	DAI	01/28/04
G	V04-0508	DAI	06/16/04
H	V05-0064	TAB	03/03/05
J	V05-0528	DAI	06/30/05

<b>A</b> FCI	www.fciconnect.com	surface 3.2 ✓	tolerance ASME Y14.5	projection	MM
		ASME Y14.5	-		
Dr	D.FUSSELMAN	3/20/02	Product family	EYEMAX(tm)	size A4
Eng	S.OLSON	3/20/02	Spec ref		Scale 1:2
Chr	T.BRUNGARD	7/30/02	Material	SEE NOTES	ECN V05-0528
Appr	D.BRANN	7/30/02			
title				12X PLUG KIT	
title				EYEMAX(TM)	
catalog no				-	
				dwg no	58442
				Rev.	J
				CUSTOMER	sheet 1 of 5

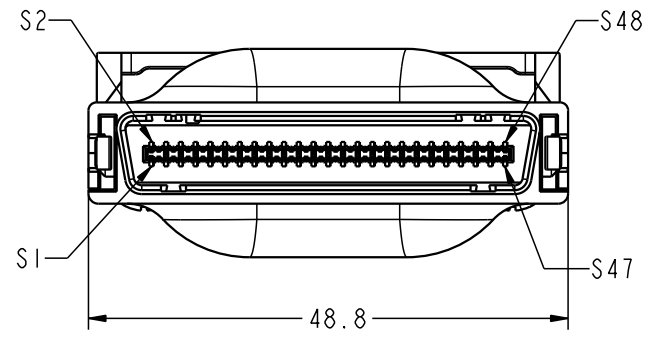
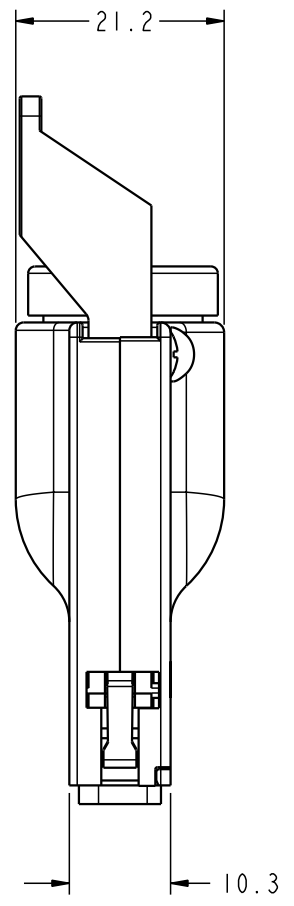
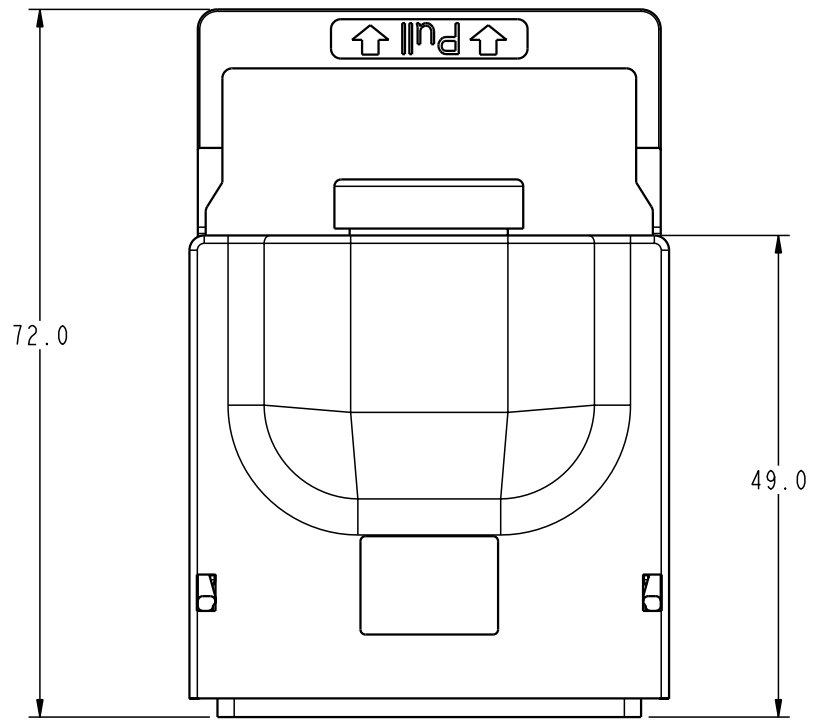
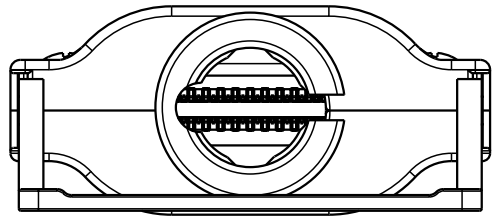
1

2

3

4

PRODUCT NUMBER
SEE TABLE



Tous droits strictement reserves. Reproduction ou communication a des tiers interdite sous quelque forme que ce soit sans autorisation ecrite du proprietaire. Propriete de c FCI. Droits de reproduction FCI.



All rights strictly reserved. Reproduction or issue to third parties in any form whatever is not permitted without written authority from the proprietor. Property of FCI. Copyright FCI.

title	12X PLUG KIT		dwg no	58442	Rev.	J
	EYEMAX (TM)			CUSTOMER		sheet 2 of 5
catalog no	-					

3 PDM: Rev:J

STATUS Released

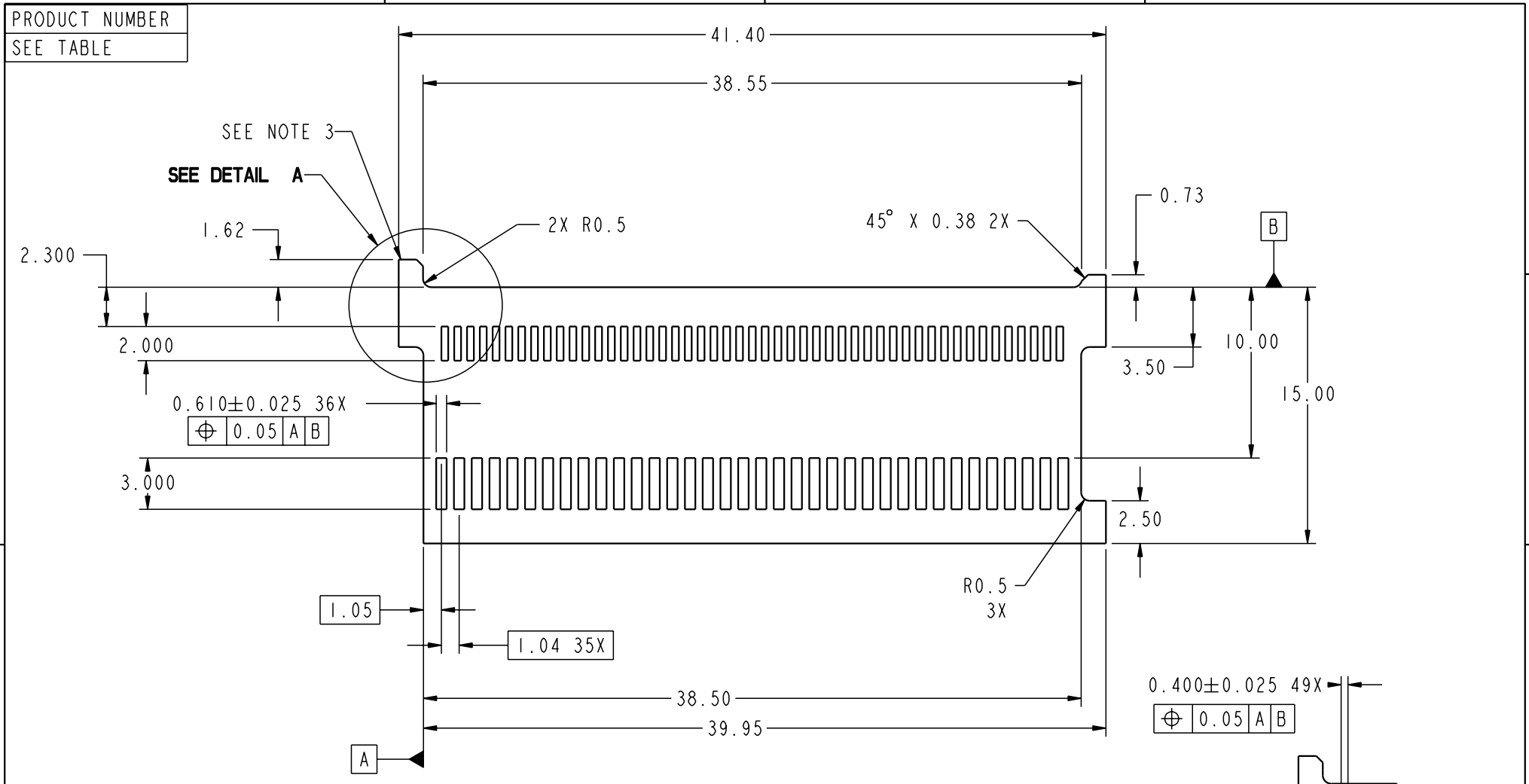
4 Printed: Jul 22, 2010

A  
B  
C  
D

Tous droits strictement réservés. Reproduction ou communication à des tiers interdite sous quelque forme que ce soit sans autorisation écrite du propriétaire. Propriété de FCI. Droits de reproduction FCI.

**FCI**

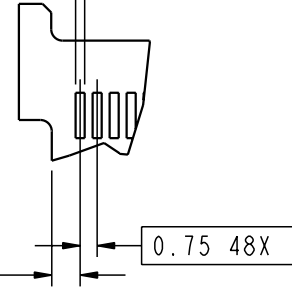
All rights strictly reserved. Reproduction or issue to third parties in any form whatever is not permitted without written authority from the proprietor. Property of FCI. Copyright FCI.



**RECOMMENDED PCB LAYOUT,  
FOR UNEQUALIZED PLUG ASSEMBLY**

SCALE 3:1

**DETAIL A  
SCALE 3:1**



- PCB NOTES:
- PADS ON BOTH SIDES OF PCB.
  - DIMENSIONS APPLY TO BOTH SIDES OF PCB LOCATED FROM DATUM A & B.
  - (3)** THIS AREA NOT TO BE USED TO LOCATE SOLDER TAILS TO SOLDER PADS. THIS AREA IS TO AID IN ASSEMBLY BY LIMITING THE TOP & BOTTOM MOVEMENT OF THE PADDLE CARD.
  - PCB THICKNESS: 1.57mm (.062").

title	12X PLUG KIT EYEMAX (TM)	dwg no	58442	Rev.	J
catalog no	-	CUSTOMER	sheet 3 of 5		

1

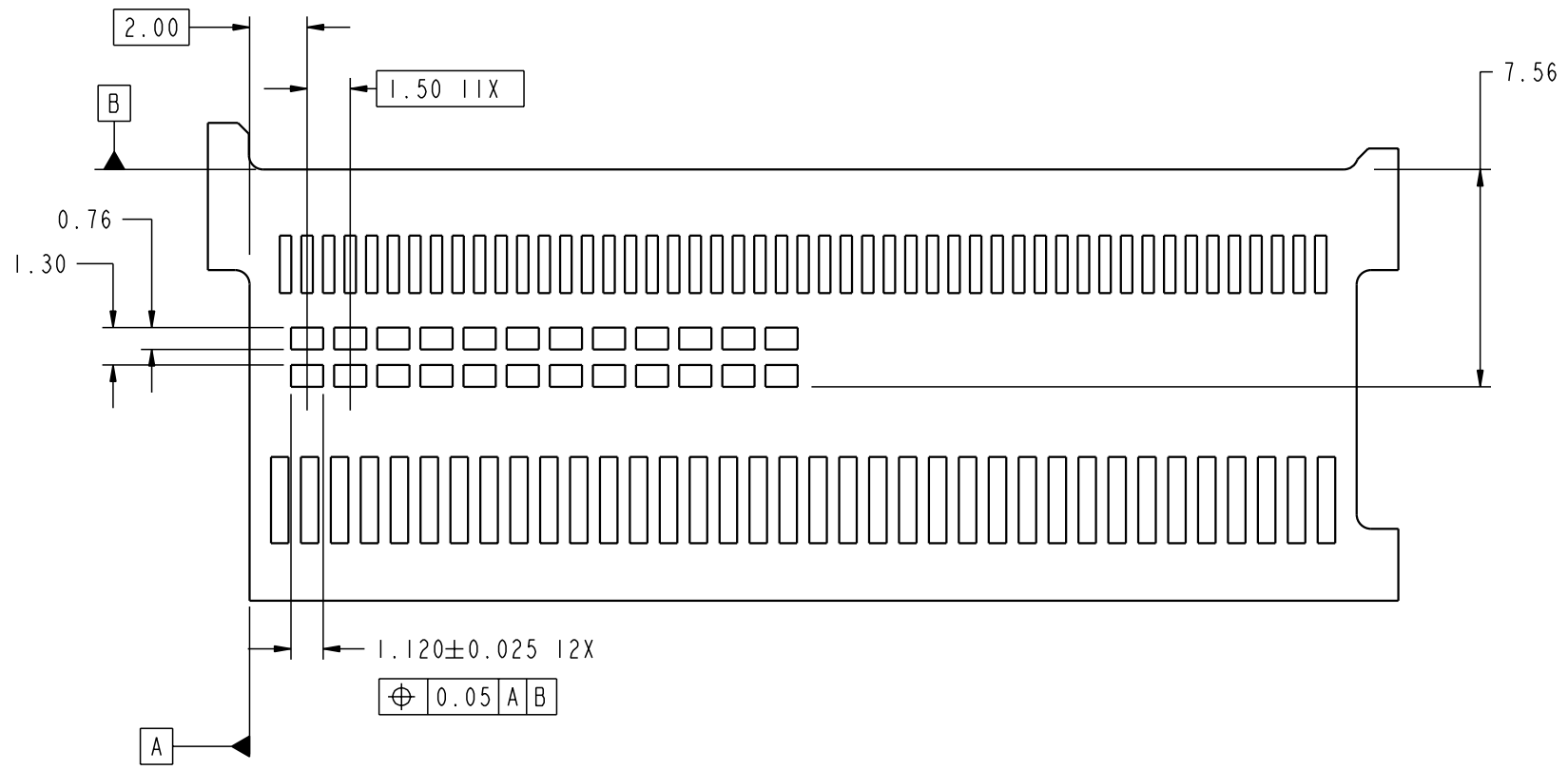
2

3

4

PRODUCT NUMBER
SEE TABLE

Tous droits strictement reserves. Reproduction ou communication a des tiers interdite sous quelque forme que ce soit sans autorisation ecrite du proprietaire. Propriete de c FCI. Droits de reproduction FCI.



**RECOMMENDED PCB LAYOUT  
FOR EQUALIZED PLUG ASSEMBLY\***

\*COMPONENT PADS ADDED TO EQUALIZED PCB,  
ALL OTHER DIMENSIONS THE SAME AS  
UNEQUALIZED PCB AS SHOWN ON SHT. 3.  
SEE PCB NOTES ON SHEET 3

All rights strictly reserved. Reproduction or issue to third parties in any form whatever is not permitted without written authority from the proprietor. Property of FCI. Copyright FCI.

title	12X PLUG KIT		dwg no	58442	Rev.	J
	EYEMAX (TM)					
catalog no	-			CUSTOMER	sheet 4 of 5	

A  
B  
C  
D

Tous droits strictement réservés. Reproduction ou communication à des tiers interdite sous quelque forme que ce soit sans autorisation écrite du propriétaire. Propriété de FCI. Droits de reproduction FCI.

**A**  
**FCI**

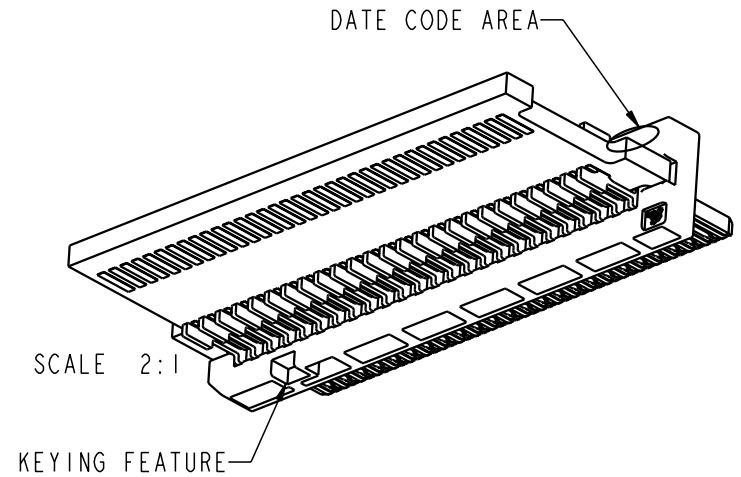
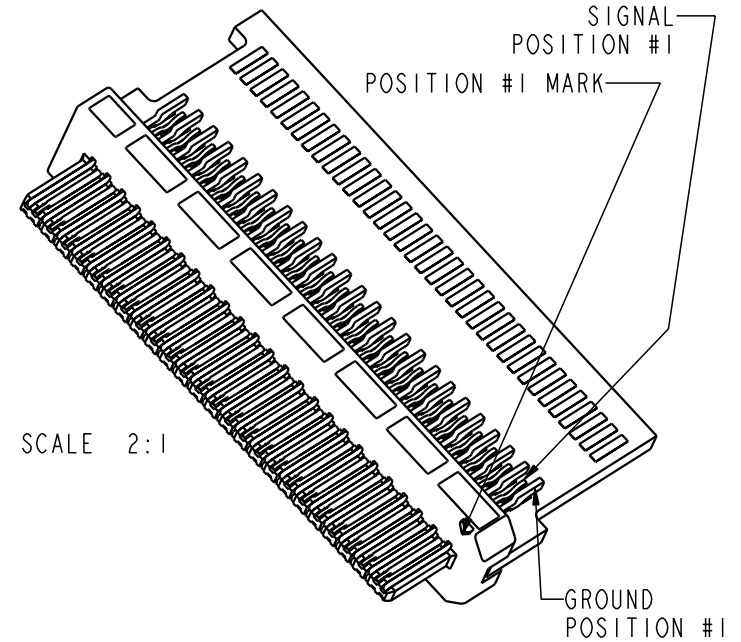
All rights strictly reserved. Reproduction or issue to third parties in any form whatever is not permitted without written authority from the proprietor. Property of FCI. Copyright FCI.

* PRODUCT NUMBER	DESCRIPTION
<b>58442-001</b>	PLUG KIT WITH UNEQUALIZED P1 PCB
58442-002	PLUG KIT WITHOUT PCB
58442-003	PLUG KIT WITH EQUALIZED P1 PCB WITHOUT COMPONENTS
58442-004	PLUG KIT FOR EQUALIZED P1 PCB WITH COMPONENTS
<b>58442-101</b>	PLUG KIT WITH UNEQUALIZED P2 PCB
58442-103	PLUG KIT WITH EQUALIZED P2 PCB WITHOUT COMPONENTS
58442-104	PLUG KIT FOR EQUALIZED P2 PCB WITH COMPONENTS

\* ADD LF TO PART NUMBER FOR LEAD FREE SOLDER TAILS  
EXAMPLE: 58442-001LF SEE NOTES 1, 4, 7 AND 8

NOTES:

- ① PACKAGING SPECIFICATION GS-14-794  
PACKAGING OF LEAD FREE PRODUCTS MEETS LABELING AND PACKAGING SPECIFICATION GS-14-920.
2. APPLICATION SPECIFICATION GS-20-026 FOR PADDLE CARD AND CABLE TERMINATION DETAILS. FOR EASE OF WIRE MANAGEMENT, A P1 ASSEMBLY IS RECOMMENDED ON ONE END OF THE CABLE AND A P2 ASSEMBLY ON THE OTHER END.
3. PRODUCT SPECIFICATION GS-12-209
- ④ MATERIAL:  
CONTACTS: COPPER ALLOY WITH GOLD OVER NICKEL PLATING IN THE CONTACT AREA AND TIN/LEAD PLATING ON SOLDER TAILS UNLESS THE PART NUMBER ENDS IN LF  
LEAD FREE SOLDER TAIL PLATING 2um (80u") MIN MATTE TIN OVER 1.27um(50u") MIN NICKEL UNDERPLATE.  
HOUSING: HIGH TEMPERATURE THERMOPLASTIC, UL 94V-0 RATED SUITABLE FOR REFLOW SOLDERING.  
SHELLS: ZINC WITH NICKEL PLATING AND COPPER UNDERPLATING  
PULL TAB & CABLE COLLAR: THERMOPLASTIC  
LATCH: STAINLESS STEEL
5. MATES WITH RECEPTACLE 58366 OR 58367.
6. PLUG ASSEMBLIES, COVER ASSEMBLY KITS (58477) AND CABLE COLLARS (10007641) CAN BE PURCHASED AS SEPERATE ITEMS. PLUG ASSEMBLY DRAWINGS ARE 58443-NO PCB, 58638-UNEQUALIZED, 10026694-EQUALIZED.
- ⑦ IF LEAD FREE PART NUMBER, THE HOUSING WILL WITHSTAND EXPOSURE TO 260°C PEAK TEMPERATURE FOR 10 SECONDS IN A WAVE SOLDER APPLICATION WITH A 1.60mm MIN THICK CIRCUIT BOARD.
- ⑧ LEAD FREE PRODUCTS MEET EUROPEAN UNION DIRECTIVES AND OTHER COUNTRY REGULATIONS AS DESCRIBED IN GS-22-008.



title	12X PLUG KIT	dwg no	58442	Rev.	J
	EYEMAX (TM)				
catalog no	-	CUSTOMER	sheet 5 of 5		