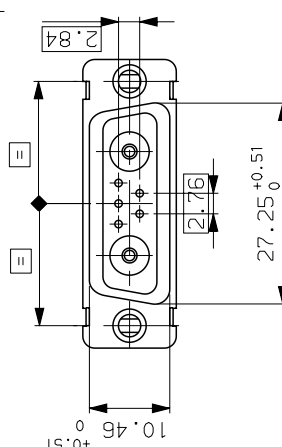
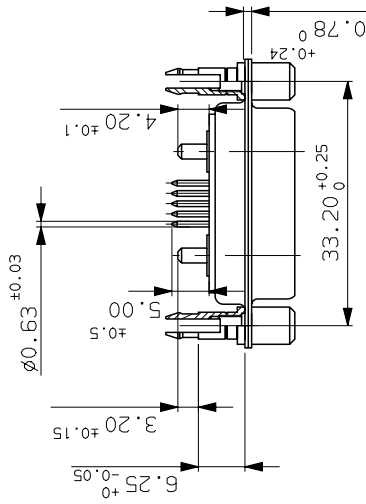
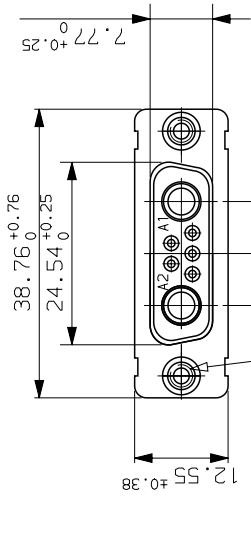
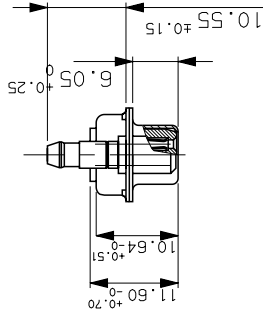
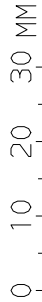
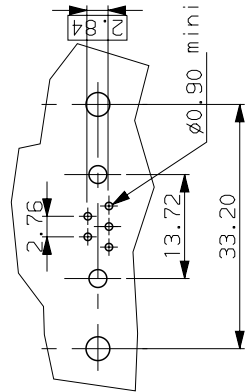


GENERAL CHARACTERISTICS : SEE DRAWING C01-8639-0000

DAV7W2S300H30	UNC 4.40
DAI7W2S300H30	M3
PART NUMBER	Threaded A



LAYOUT DIMENSIONS (after plating)
CONNECTOR SIDE VIEW



b 01/10/03	update	ISS DATE	Lastest modification by : DEBRAY.T	MOD N°	--
Designed by : JARRY date:05/01/01		Type of drawing:	CLIENT		
Checked by : FONTENEAU date: ---		Released by:	---		
TITLE : SOCKET CONNECTOR WITH TWO POWERS CONTACTS					
SCALE	Special mfg:--	MATERIAL:--	N°: --		
1.5	Item List n°: --	General linear Tolerances: --	General machining surface texture: √	Geometrical Tolerances see NF E 04-552	SHEET 01
	FRAMATOME CONNECTORS FRANCE Rue Louis Breguet - Bp 05 72024 LE MANS Cedex Tel. 33 (16) 43.84.08.43		This document is the property of FRAMATOME CONNECTORS FRANCE. It must not be reproduced or communicated without permission in writing. Flow the owners		
FORMAT A3	SOURIAU DRG N°		PROJECT M94D001		
C01-8639-1803					