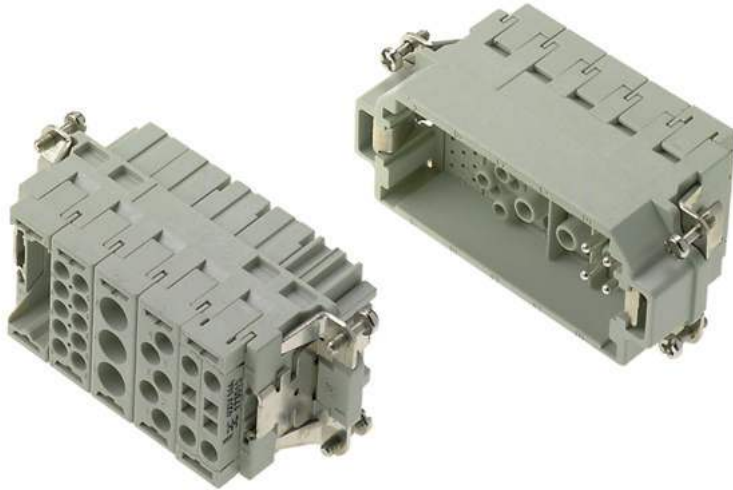


RockStar® ConCept modular system

RockStar® ConCept modular system	Overview	C.2
	ConCept modules	C.3
	ConCept bus modules	C.12
	ConCept RJ45 modules	C.18
	ConCept module frame	C.20
	ModuFlex C	C.52

RockStar® ConCept modular system



ConCept is a modular system consisting of modules and frames. Together they form a complete insert that integrates without difficulty into an HDC housing.

The system allows you to choose combinations of different modules yourself and insert them in a frame.

The following modules are available:

- ConCept modules for conventional conductors
- ConCept bus modules for fieldbus connections
- ConCept fiber optic modules
- ConCept pneumatic modules

You have two alternatives:

1. Combine modules with a ConCept module frame which you then integrate as an insert into an HDC housing.
2. Insert the modules individually into ModuFlex-C coupling frames and lock these frames together to form a block. In IP20 environments, this block is optionally used:
 - on mounting rails
 - in cable trays
 - on flat surfaces

The advantages:

- You save space – you need only one plug-in connector with ConCept inserts instead of several plug-in connectors with conventional fixed pole inserts.
- You save costs – because you only need one plug-in connector instead of many.

CM-3 Concept module / turned contacts



Technical Data

Contact inserts

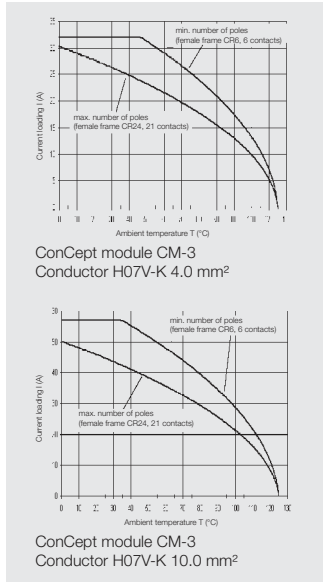
Rated current	40 A
Rated voltage (UL/CSA)	690 V / 600 V
Rated impulse withstand voltage	8.0 kV
Pollution severity	3
Insulation resistance	10 ¹² Ω
Overvoltage category	III
Volume resistance	≤ 4mΩ
UL 94 flammability class	V-0

Contacts

Contact dia.	3.6 mm
Connection cross-section	1.5-10 mm ²
AWG conductor	AWG 16-AWG 7
Base material	Copper alloy
Silver surface	3 μm
Gold surface	

Note

For conductor cross-sections of 6 mm² to 10 mm², you must use ring cable lugs at the connection to the PE conductor. With the 690 V rated voltage, this also covers three-phase 4-wire or 3-wire AC-voltage systems with rated voltages up to 690 V - to DIN EN 60664-1 according. When used properly and as designated, the listed connectors may not be connected or disconnected if there is a live voltage or load!



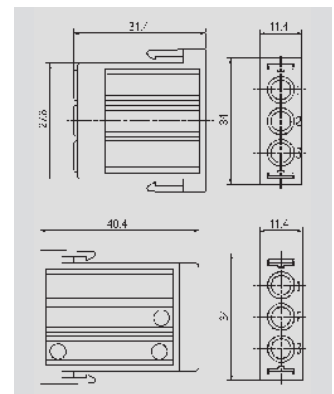
Modules

Crimp connection



Insert	Designation	Order No.
Pin	HDC CM 3 MC	1758360000
Socket	HDC CM 3 FC	1758370000
Pin	HDC CM 3 MC MR	1879030000
Socket	HDC CM 3 FC MR	1879040000

Note MR = module release lever



Accessories

Crimp contacts

Surface finish silver



Qty.	Male	Order No.	Female	Order No.
100	HDC-C-M3-SM1.5AG	1698120000	HDC-C-M3-BM1.5AG	1698130000
100	HDC-C-M3-SM2.5AG	1698140000	HDC-C-M3-BM2.5AG	1698150000
100	HDC-C-M3-SM4.0AG	1682260000	HDC-C-M3-BM4.0AG	1682270000
100	HDC-C-M3-SM6.0AG	1682280000	HDC-C-M3-BM6.0AG	1682290000
100	HDC-C-M3-SM10.0AG	1682300000	HDC-C-M3-BM10.0AG	1682310000

Conductor cross-section	Insulation stripping length
1.50 mm ²	AWG 16 10 mm
2.50 mm ²	AWG 14 10 mm
4.00 mm ²	AWG 12 10 mm
6.00 mm ²	AWG 10 10 mm
10.00 mm ²	AWG 7 10 mm

Tools



Crimping tool	Order No.
CTX CM 3.6	9018480000
Contact removal tool	Order No.
Removal Tool CM 3	1866710000

ConCept modules

CM-HE Concept module / turned contacts

Technical Data

Contact inserts

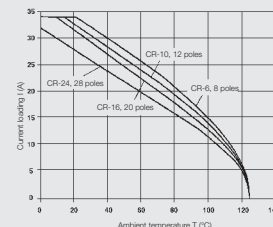
Rated current	25 A
Rated voltage (UL/CSA)	630 V / 600 V
Rated impulse withstand voltage	8.0 kV
Pollution severity	3
Insulation resistance	10 ¹² Ω
Overvoltage category	III
Volume resistance	≤ 4mΩ
UL 94 flammability class	V-0

Contacts

Contact dia.	2.5 mm
Connection cross-section	0.5-4 mm ²
AWG conductor	AWG 20-AWG 12
Base material	Copper alloy
Silver surface	3 μm
Gold surface	0.8 μm

Note

For conductor cross-sections ≤ 0.75 mm², you must use wire-end ferrules at the connection to the PE conductor.
When used properly and as designated, the listed connectors may not be connected or disconnected if there is a live voltage or load!



ConCept module CM-HE
Conductor H07V-K 4.0 mm²

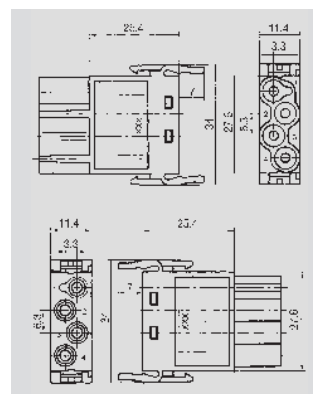
Modules

Crimp connection



Insert	Designation	Order No.
Pin	HDC CM HE 4 MC	1861920000
Socket	HDC CM HE 4 FC	1861900000
Pin	HDC CM HE 4 MC MR	1758340000
Socket	HDC CM HE 4 FC MR	1758350000

Note MR = module release lever



Accessories

Crimp contacts

Surface finish silver



Surface finish gold



Qty.	Male	Order No.	Female	Order No.
100	HDC-C-HE-SM0.5AG	1200500000	HDC-C-HE-BM0.5AG	1201100000
100	HDC-C-HE-SM0.75-1AG	1200600000	HDC-C-HE-BM0.75-1AG	1201200000
100	HDC-C-HE-SM1.5AG	1200700000	HDC-C-HE-BM1.5AG	1201300000
100	HDC-C-HE-SM2.5AG	1200800000	HDC-C-HE-BM2.5AG	1201400000
100	HDC-C-HE-SM4.0AG	1200900000	HDC-C-HE-BM4.0AG	1201500000
100	HDC-C-HE-SM0.5AU	1651420000	HDC-C-HE-BM0.5AU	1651470000
100	HDC-C-HE-SM0.75-1AU	1651430000	HDC-C-HE-BM0.75-1AU	1651480000
100	HDC-C-HE-SM1.5AU	1651440000	HDC-C-HE-BM1.5AU	1651490000
100	HDC-C-HE-SM2.5AU	1651450000	HDC-C-HE-BM2.5AU	1651500000
100	HDC-C-HE-SM4.0AU	1651460000	HDC-C-HE-BM4.0AU	1651510000



Conductor cross-section	Insulation stripping length
0.50 mm ²	AWG 20 7.5 mm
0.75 - 1.00 mm ²	AWG 18 7.5 mm
1.50 mm ²	AWG 16 7.5 mm
2.50 mm ²	AWG 14 7.5 mm
4.00 mm ²	AWG 12 7.5 mm

Tools



Crimping tool	Order No.
CTX CM 1.6/2.5	9018490000
Contact removal tool	Order No.
Removal Tool HE	1866750000

CM-4 Concept module with tension spring connection



Technical Data

Contact inserts

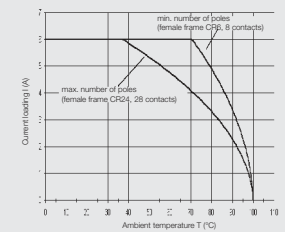
Rated current	14 A
Rated voltage (UL/CSA)	400 V / 600 V
Rated impulse withstand voltage	6.0 kV
Pollution severity	3
Insulation resistance	10 ¹² Ω
Overvoltage category	III
Volume resistance	1.5 mΩ
UL 94 flammability class	V-0

Contacts

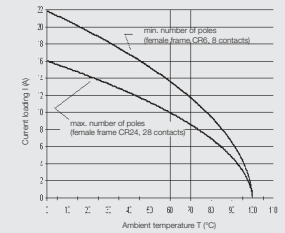
Contact dia.	2.5 mm
Connection cross-section	0.5-2.5 mm ²
AWG conductor	AWG 20-AWG 14
Base material	Copper alloy
Silver surface	3 μm
Gold surface	

Note

For conductor cross-sections ≤ 0.75 mm², you must use wire-end ferrules at the connection to the PE conductor.
When used properly and as designated, the listed connectors may not be connected or disconnected if there is a live voltage or load!



ConCept module CM-4BZF/4SZF
Conductor H05V-K 0.5 mm²



ConCept module CM-4BZF/4SZF
Conductor H07V-K 2.5 mm²

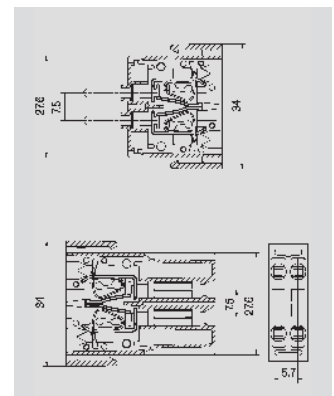
Modules

Tension clamp connection



Insert	Designation	Order No.
Pin	HDC-CM-4SZF AG	1730120000
Socket	HDC-CM-4BZF AG	1730130000

Note



ConCept modules

CM-5 Concept module / turned contacts



Technical Data

Contact inserts

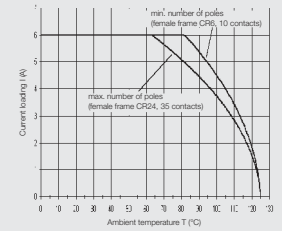
Rated current	20 A
Rated voltage (UL/CSA)	250 V / 600 V
Rated impulse withstand voltage	6.0 kV
Pollution severity	3
Insulation resistance	10 ¹² Ω
Overvoltage category	III
Volume resistance	≤ 4mΩ
UL 94 flammability class	V-0

Contacts

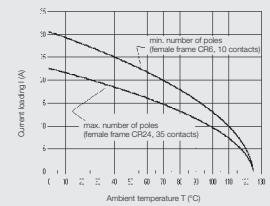
Contact dia.	2.5 mm
Connection cross-section	0.75-4 mm ²
AWG conductor	AWG 18-AWG 12
Base material	Copper alloy
Silver surface	3 μm
Gold surface	

Note

For conductor cross-sections ≤ 0.75 mm², you must use wire-end ferrules at the connection to the PE conductor.
When used properly and as designated, the listed connectors may not be connected or disconnected if there is a live voltage or load!



ConCept module CM-5
Conductor H05V-K 0.5 mm²



ConCept module CM-5
Conductor H07V-K 4.0 mm²

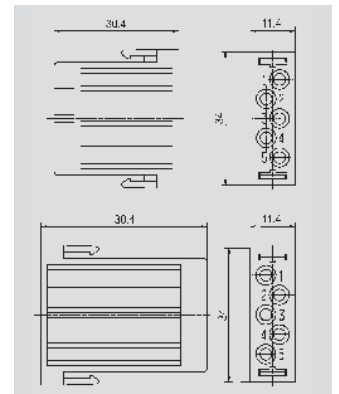
Modules

Crimp connection



Insert	Designation	Order No.
Pin	HDC CM 5 MC	1758380000
Socket	HDC CM 5 FC	1758390000
Pin	HDC CM 5 MC MR	1879020000
Socket	HDC CM 5 FC MR	1879010000

Note MR = module release lever



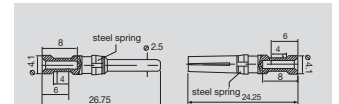
Accessories

Crimp contacts

Surface finish silver



Qty.	Male	Order No.	Female	Order No.
100	HDC-C-M5-SM0.5AG	1682320000	HDC-C-M5-BM0.5AG	1682330000
100	HDC-C-M5-SM0.75-1.0AG	1682340000	HDC-C-M5-BM0.75-1.0AG	1682350000
100	HDC-C-M5-SM1.5AG	1682360000	HDC-C-M5-BM1.5AG	1682370000
100	HDC-C-M5-SM2.5AG	1682380000	HDC-C-M5-BM2.5AG	1682390000
100	HDC-C-M5-SM4.0AG	1682400000	HDC-C-M5-BM4.0AG	1682410000



Conductor cross-section	Insulation stripping length
0.75 - 1.00 mm ²	AWG 18 7 mm
1.50 mm ²	AWG 16 7 mm
2.50 mm ²	AWG 14 7 mm
4.00 mm ²	AWG 12 7 mm

Tools



Crimping tool	Order No.
CTX CM 1.6/2.5	9018490000
Contact removal tool	Order No.
Removal Tool CM 5	1866720000

CM-10 Concept module / turned contacts



Technical Data

Contact inserts

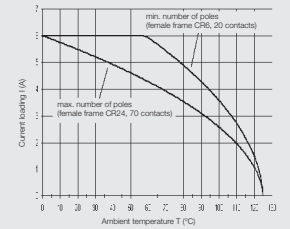
Rated current	10 A
Rated voltage (UL/CSA)	250 V / 600 V
Rated impulse withstand voltage	4.0 kV
Pollution severity	3
Insulation resistance	10 ¹¹ Ω
Overvoltage category	III
Volume resistance	≤ 4mΩ
UL 94 flammability class	V-0

Contacts

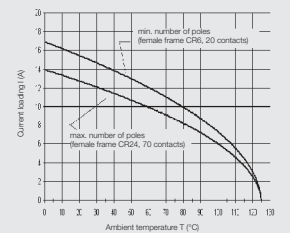
Contact dia.	1.6 mm
Connection cross-section	0.14-2.5 mm ²
AWG conductor	AWG 26-AWG 14
Base material	Copper alloy
Silver surface	3 μm
Gold surface	0.8 μm

Note

For conductor cross-sections ≤ 0.75 mm², you must use wire-end ferrules at the connection to the PE conductor.
When used properly and as designated, the listed connectors may not be connected or disconnected if there is a live voltage or load!



ConCept module CM-10
Conductor H05V-K 0.5 mm²



ConCept module CM-10
Conductor H07V-K 2.5 mm²

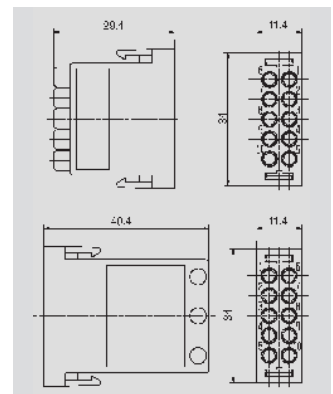
Modules

Crimp connection



Insert	Designation	Order No.
Pin	HDC CM 10 MC	1758400000
Socket	HDC CM 10 FC	1758410000
Pin	HDC CM 10 MC MR	1862050000
Socket	HDC CM 10 FC MR	1862030000

Note MR = module release lever



Accessories

Crimp contacts

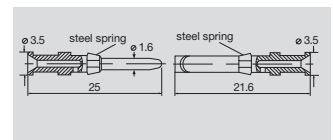
Surface finish silver



Surface finish gold



Qty.	Male	Order No.	Female	Order No.
100	HDC-C-HD-SM0.14-0.37AG	1651520000	HDC-C-HD-BM0.14-0.37AG	1651570000
100	HDC-C-HD-SM0.5AG	1651530000	HDC-C-HD-BM0.75-1AG	1601760000
100	HDC-C-HD-SM0.75-1AG	1601750000	HDC-C-HD-BM0.5AG	1651580000
100	HDC-C-HD-SM1.5AG	1651550000	HDC-C-HD-BM1.5AG	1651600000
100	HDC-C-HD-SM2.5AG	1651560000	HDC-C-HD-BM2.5AG	1651610000
100	HDC-C-HD-SM0.14-0.37AU	1651620000	HDC-C-HD-BM0.14-0.37AU	1651670000
100	HDC-C-HD-SM0.5AU	1651630000	HDC-C-HD-BM0.5AU	1651680000
100	HDC-C-HD-SM0.75-1AU	1651640000	HDC-C-HD-BM0.75-1AU	1651690000
100	HDC-C-HD-SM1.5AU	1651650000	HDC-C-HD-BM1.5AU	1651700000
100	HDC-C-HD-SM2.5AU	1651660000	HDC-C-HD-BM2.5AU	1651710000



Conductor cross-section	Insulation stripping length
0.14 – 0.37 mm ²	AWG 26-22 8 mm
0.50 mm ²	AWG 20 8 mm
0.75 – 1.00 mm ²	AWG 18 8 mm
1.50 mm ²	AWG 16 8 mm
2.50 mm ²	AWG 14 6 mm

Tools



Crimping tool	Order No.
CTX CM 1.6/2.5	9018490000
Contact removal tool	Order No.
Removal Tool HD	1866730000

ConCept modules

CM-20 Concept modules / stamped contacts



Technical Data

Contact inserts

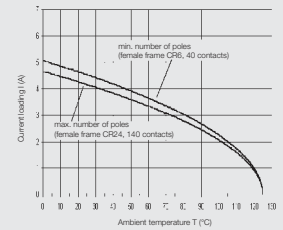
Rated current	4 A
Rated voltage	100 V
Rated impulse withstand voltage	1.5 kV
Pollution severity	3
Insulation resistance	$10^{12} \Omega$
Overvoltage category	III
Volume resistance	$\leq 4 \text{ m}\Omega$
UL 94 flammability class	V-0

Contacts

Contact dia.	1 mm
Connection cross-section	0.08-0.52 mm ²
AWG conductor	AWG 28-AWG 20
Base material	Copper alloy
Silver surface	
Gold surface	0.8 μm

Note

For conductor cross-sections $\leq 0.75 \text{ mm}^2$, you must use wire-end ferrules at the connection to the PE conductor.
When used properly and as designated, the listed connectors may not be connected or disconnected if there is a live voltage or load!



ConCept-Modul CM-20
AWG-Conductor 20/19

C

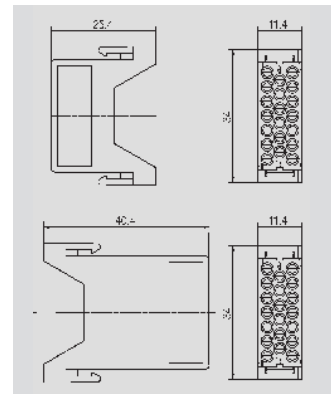
Modules

Crimp connection



Insert	Designation	Order No.
Pin	HDC-CM-20SCG GR	1758420000
Socket	HDC-CM-20BCG GR	1758430000

Note



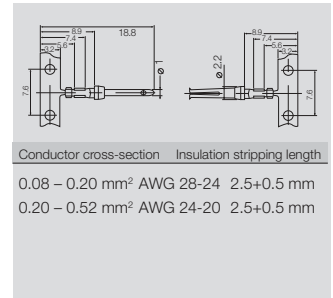
Accessories

Crimp contacts

Surface finish gold



Qty.	Male	Order No.	Female	Order No.
500	HDC-C-M20-SCG0.08-0.2AU	1682420000	HDC-C-M20-BCG0.08-0.2AU	1682430000
500	HDC-C-M20-SCG0.2-0.52AU	1682440000	HDC-C-M20-BCG0.2-0.52AU	1682450000



Tools



Crimping tool	Order No.
HDC-CM-20	1700900000
Contact removal tool	Order No.
Removal Tool CM 20	1866740000

CM-3 HV



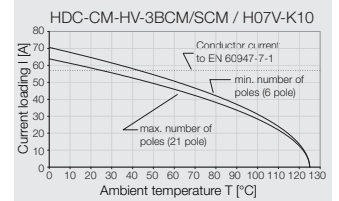
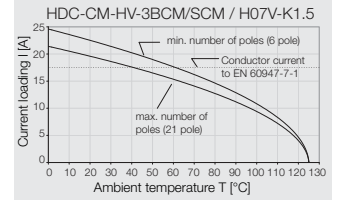
Technical Data

Contact inserts

Rated current	57 A
Rated voltage (UL/CSA)	1000 V / 600 V
Rated impulse withstand voltage	8.0 kV
Pollution severity	3
Insulation resistance	10 ¹² Ω
Overvoltage category	III
Volume resistance	≤ 4mΩ
UL 94 flammability class	V-0

Contacts

Contact dia.	3.6 mm
Connection cross-section	1.5-10 mm ²
AWG conductor	AWG 16-AWG 7
Base material	Copper alloy
Silver surface	3 μm
Gold surface	



Note

For conductor cross-sections of 6 mm² to 10 mm², you must use ring cable lugs at the connection to the PE conductor.
When used properly and as designated, the listed connectors may not be connected or disconnected if there is a live voltage or load!

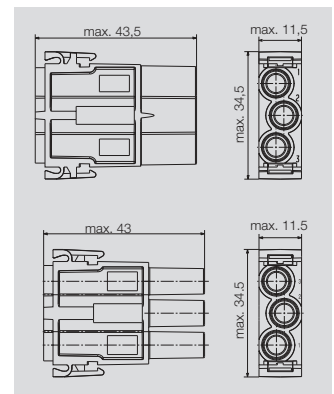
Modules

Crimp connection



Insert	Designation	Order No.
Pin	HDC CM HV 3 MC	1862080000
Socket	HDC CM HV 3 FC	1862060000
Pin	HDC CM HV 3 MC MR	1862000000
Socket	HDC CM HV 3 FC MR	1862070000

Note MR = module release lever



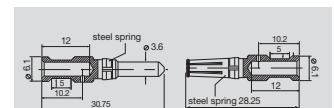
Accessories

Crimp contacts

Surface finish silver



Qty.	Male	Order No.	Female	Order No.
100	HDC-C-M3-SM1.5AG	1698120000	HDC-C-M3-BM1.5AG	1698130000
100	HDC-C-M3-SM2.5AG	1698140000	HDC-C-M3-BM2.5AG	1698150000
100	HDC-C-M3-SM4.0AG	1682260000	HDC-C-M3-BM4.0AG	1682270000
100	HDC-C-M3-SM6.0AG	1682280000	HDC-C-M3-BM6.0AG	1682290000
100	HDC-C-M3-SM10.0AG	1682300000	HDC-C-M3-BM10.0AG	1682310000



Conductor cross-section	Insulation stripping length
1.50 mm ²	AWG 16 10 mm
2.50 mm ²	AWG 14 10 mm
4.00 mm ²	AWG 12 10 mm
6.00 mm ²	AWG 10 10 mm
10.00 mm ²	AWG 7 10 mm

Tools



Crimping tool	Order No.
CTX CM 3.6	9018480000
Contact removal tool	Order No.
Removal Tool CM 3	1866710000

ConCept modules

CM High Current Module



Technical Data

Contact inserts

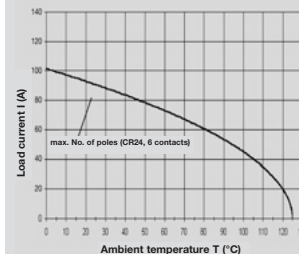
Rated current	82 A
Rated voltage	1000 V
Rated impulse withstand voltage	6.0 kV
Pollution severity	3
Insulation resistance	10 ¹² Ω
Mechanical service life	Plugging cycles ≥ 500
Overvoltage category	III
Volume resistance	≤ 4 mΩ
UL 94 flammability class	V-0

Contacts

Contact dia.	
Connection cross-section	4-16 mm ²
Tightening torque	1.2 Nm
AWG conductor	AWG 12-AWG 6
Base material	copper alloy
Silver surface	3 μm
Gold surface	

Note

The modules have a double-module design and occupy two places in the ConCept module frame. Use modules only in conjunction with wire-end ferrules.



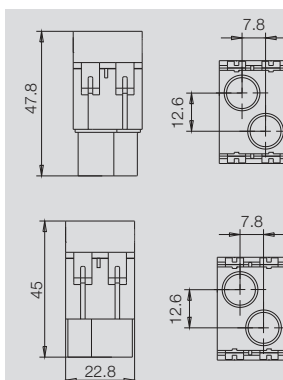
ConCept-Modul CM-2
Conductor 16 mm²

Modules

Screw connection



Insert	Designation	Order No.
Male	HDC CM 1 MS + PE	1828390000
Female	HDC CM 1 FS + PE	1828410000

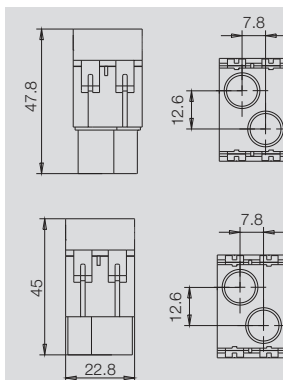


Modules

Screw connection



Insert	Designation	Order No.
Male	HDC CM 2 MS	1828380000
Female	HDC CM 2 FS	1828400000



CM Pneumatic



Technical data

Contact inserts

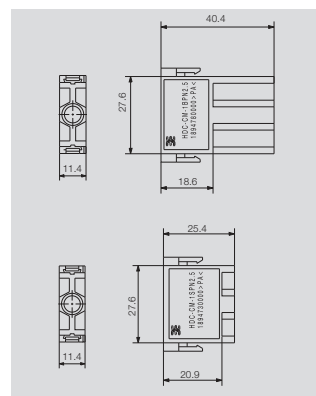
Material of modules	PA 6.6 GF
Material of pneumatic valves	Ms 58 brass
Connection diameter of hose (inside)	2.5 mm or 4 mm
Outside diameter of hose, maximum	8 mm
Temperature range	-20 °C to 100 °C
Operating pressure of the modules	10 bar
Travel	4 mm

Note valve → socket side
 When dealing with liquids or gas of any type through pneumatic modules, it is very important to remember that no current-carrying modules are permitted in the same housings.

Modules



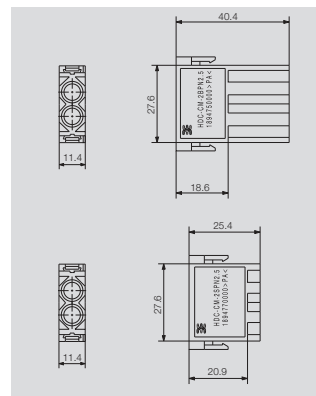
Insert	Designation	Order No.
Male	HDC-CM-1SPN2.5	1894730000
Female	HDC-CM-1BPN2.5	1894780000
Male	HDC-CM-1SPN4.0	1894740000
Female	HDC-CM-1BPN4.0	1894720000



Modules



Insert	Designation	Order No.
Male	HDC-CM-2SPN2.5	1894770000
Female	HDC-CM-2BPN2.5	1894750000
Male	HDC-CM-2SPN4.0	1894710000
Female	HDC-CM-2BPN4.0	1894760000



ConCept bus module for screened wires

Concept bus is ideal for transmitting highly sensitive signals in heavy-duty connectors.

Modules of the ConCept heavy-duty connector system offer many functions in a very small space with reliable protection from electromagnetic fields, moisture, dust and extreme mechanical loads.

By combining these with other modules, the power supply and other signals for the field device can be connected in a single plug-in connector.

The **Profibus-DP module with T-Connector function** enables uninterrupted operation of the fieldbus during servicing or when replacing a field device. The fieldbus system no longer has to be switched off, as was the case in the past, because the field device can simply be connected or disconnected during operation using the heavy-duty connector – “plug and play” now available for the first time for fieldbus solutions. The same heavy-duty connector also provides a reliable power supply for the connected fieldbus device.

On one side, Weidmüller uses the robust USB plug as connection system for the Profibus DP modules. This guarantees a high transmission rate of 1.5 Mbit/s and at least 200 plugging cycles. On the other side, screw terminals are used to connect the screened Profibus cables.

Advantages

- Simple screw connection
- Simple screen connection



Versions

- Bus connector **HDC CM BUS 4 ...** for screened wires (for connecting 4 wires and screen)



- Bus connector with integrated T-exit **HDC CM BUS 2 ... PDP** for screened wires (Profibus-DP solution = 2 wires and screen)



Technical data

Material data	HDC CM BUS 4 ...	HDC CM BUS 2 ... PDP
Insulation	Glass fiber reinforced PC	
Color	Gray (similar to RAL 7032)	
Temperature range	-20 °C to +85 °C	

System characteristics		
Connection technology	Screw connection	
No. of poles	4 + screen	2 + screen
Conductor capacity	0.08 ... 1.5 mm ² AWG 28 ... 16	As Profibus DP
Stripping length	5 mm	
Clamping capacity (outer diameter of cable screen)	2.1 ... 7 mm	
Stripped sheath length	19 mm	

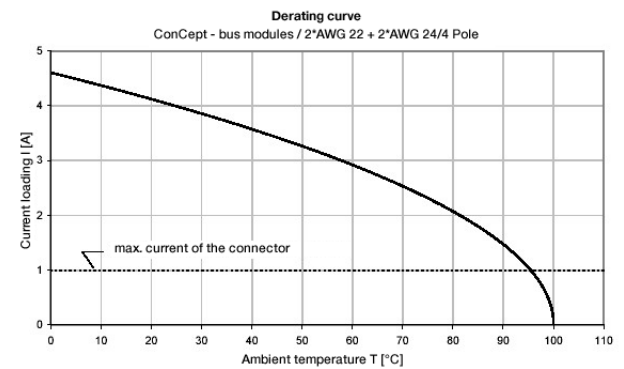
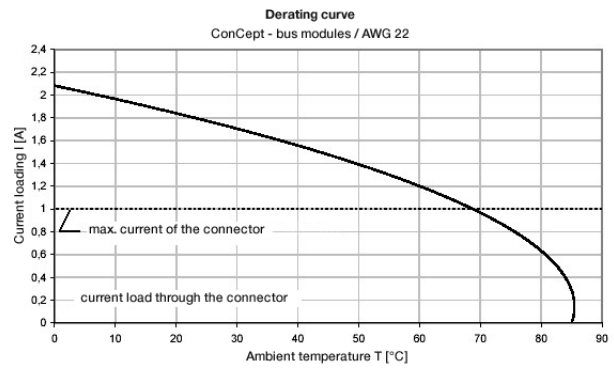
Rated data to VDE 0627		
Rated current	1 A	
Rated voltage	30 V	
Transmission rate	max. 12 Mbit/s	

Clamping torques		
Screen clip	0.5 – 0.6 Nm	
PCB terminal	0.2 – 0.3 Nm	

- Assembly instructions**
- Use wire end ferrules
 - Clamp screen braid under clip
 - Use specified torque settings
 - Place module at the far end of the frame with the connection side to the outside
 - Only use high housings

Note: Also take note of the assembly instructions enclosed with the product.

Derating curves



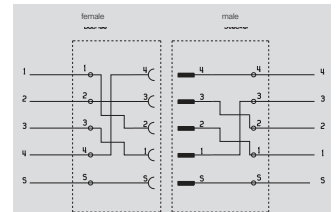
ConCept bus modules

Bus connectors

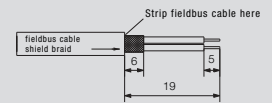
4 poles

Technical data

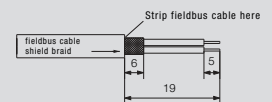
Rated voltage	1 A
Rated current	30 V
Qty	5



male module



female module

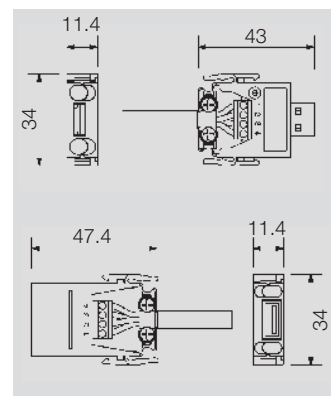


Information

Module



Insert	Type	Order No.
male	HDC CM BUS 4SS	1814310000
female	HDC CM BUS 4BS	1814300000

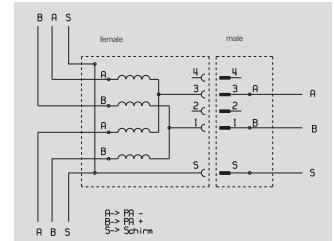


Bus connector with integrated T-exit

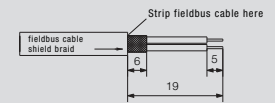
2 poles

Technical data

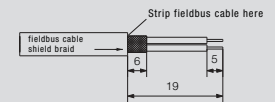
Rated voltage	1 A
Rated current	30 V
Qty	5



male module



female module



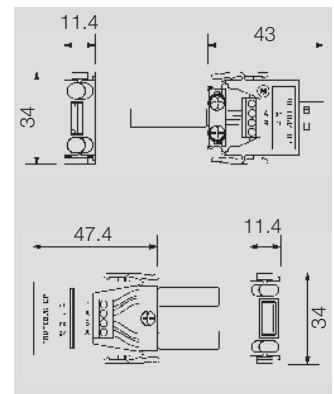
Information

The Profibus topology is the line structure. The branches (T-pieces) connect the individual field devices or remote I/Os to the bus cable. The length of the spur depends on the transmission rate and should be as short as possible. IEC 61158 specifies that with a transmission rate of 1.5 Mbit/s per segment, spur lengths of up to 6.6 m are permitted. Source: Profibus Directive, Order No. 2.111 Version 1.0

Module



Insert	Type	Order No.
male	HDC CM BUS 2SS PDP A	1806060000
female	HDC CM BUS 2BS T PDP C	1806030000



ConCept bus modules

ConCept system bus

Shielded module



Technical data

Standards	DIN EN 61984 IEC 60664
No. contacts	2...16 poles for signal transmission
Conductor connection system	Crimp
Rated current	10 A
Rated voltage	50 V
Shield	Shield connected to contact carrier using cable clamp
Outside diameter of shielded cable	3 to 6 mm and/or 6 to 9.5 mm
Degree of pollution	3
Rated impulse withstand voltage	0.8 kV
Conductor clamping ranges	0.5 mm ² ... 1.5 mm ² AWG 26 ... AWG 16
Contact resistance	< 2 mΩ
Contacts (crimp)	Refer to HD contacts
Contact material	Copper alloy
Surface	
Crimp contact	Passivated silver or gold-plated
Contact carrier	Zinc alloy
Temperature range	-40 °C ... +70 °C
Material – module	Glass-fiber reinforced PC (in UL list and approved for railway applications)
Flammability to UL 94	V-0
Frame material	Die cast zinc
Surface of frame	CuNi
Frame earthing (ground)	Leading grounding contact; double-sided PE connection

Note

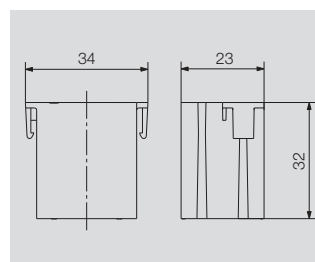
The modules have a double-module design and occupy two places in the ConCept module frame.
When used properly and as designated, the listed connectors may not be connected or disconnected if there is a live voltage or load!

Modules

Female receptacle module



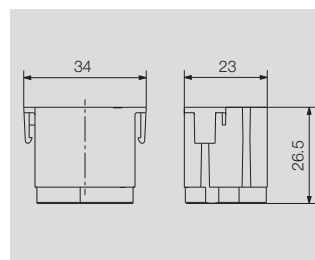
Designation	Type	Order No.
HDC CM BUS SV F2	Female socket module	1983720000



Male receptacle module

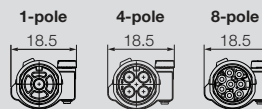
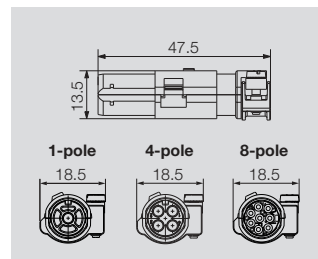


Designation	Type	Order No.
HDC CM BUS SV M2	Male pin module	1983750000

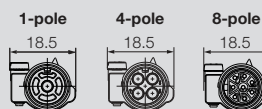
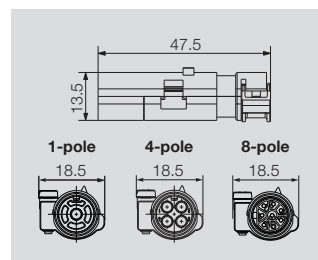




Designation	Type	Order No.
HDC CM BUS SV F1 CT	1-poles Females socket contact	1983800000
HDC CM BUS SV F4 CT	4-poles Females socket contact	1983770000
HDC CM BUS SV F8 CT	8-poles Females socket contact	1043120000



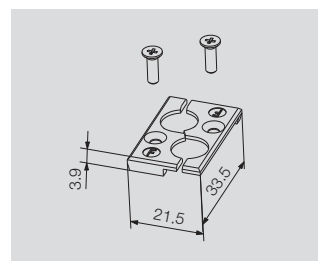
Designation	Type	Order No.
HDC CM BUS SV M1 CT	1-poles Male pin contact	1983810000
HDC CM BUS SV M4 CT	4-poles Male pin contact	1983790000
HDC CM BUS SV M8 CT	8-poles Male pin contact	1043130000



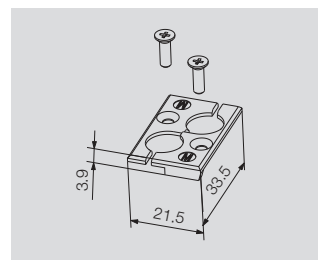
C



Designation	Type	Order No.
HDC CM BUS SV GCA F	Grounding connection adapter plate	1983820000



Designation	Type	Order No.
HDC CM BUS SV GCA M	Grounding connection adapter plate	1014080000



ConCept RJ45 Modules

The ConCept RJ45 Modules

RJ45 module with 4 additional power contacts



Technical data

Standards		IEC 60664 IEC 60512
RJ45 module		Cat 5 acc. to ISO / IEC 11801
No. of poles	extra contacts / RJ45	4 / 8
Rated voltage	extra contacts / RJ45	400 V AC / 125 V AC
Rated impulse withstand voltage	extra contacts / RJ45	6 kV / 1.8 kV
Voltage proof	extra contacts / RJ45	3.51 kV / 1.0 kV
Rated current	extra contacts / RJ45	13 A (1) / 1.5 A
Volume (contact) resistance	extra contacts / RJ45	≤ 5 mΩ / ≤ 20 mΩ
Insulation resistance	extra contacts / RJ45	10 ¹⁰ mΩ / 5 ⁹ mΩ
Transmission rate		1.5 Mbit/s
Wire-connection method	extra contacts / RJ45	crimp, patch cable
Wire clamping range		0.5 - 2.5 mm ²
Flammability class acc. to UL 94		V-0
Temperature range		-20 °C...+80 °C
Plug and pull forces		15-20N - max. 20N
Mating cycles		≥ 500
Materials		
Contact insert		PA 6.6 GF
Insert color		black
Contact carrier		CuZn / CuSn
Contact surface		Ag (silver) Au (gold)
Extra contacts (crimp)		HD
Stripping length (Insulation)		see HD contacts
Accessories		9009030000 SD 0.4 x 2.5 x 75
Screwdriver		
Contact release tool		1866730000 Removal Tool HD

⁽¹⁾ 2 modules, 40 °C ambient temperature, 1.5 mm²

Note: EN 60603-7:1997 stipulates that the RJ45 connector must not have any of the reinforcing plastic protruding over any side of the protective shield. The modules have a double-module design and occupy two places in the ConCept module frame.

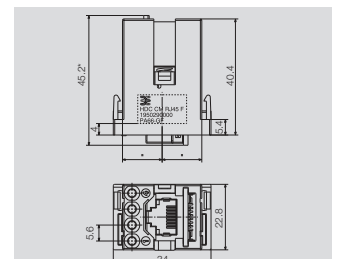
Modules

Female



Designation	Order No.
HDC CM RJ45 F	1950290000

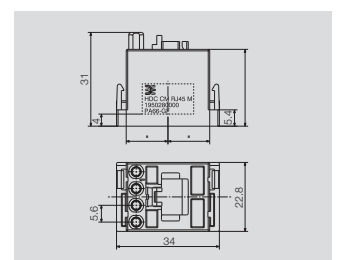
Note: CAT5 suitable, acc. to ISO/IEC 11801



Male



Designation	Order No.
HDC CM RJ45 M	1950280000



ConCept module frame

Size 3

CR6 ConCept frame, plastic

Frame

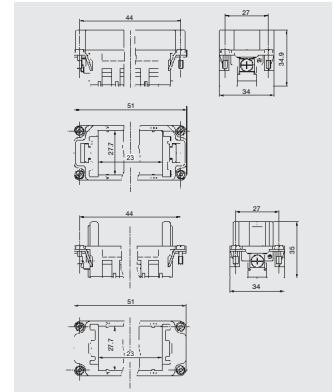


Screw connection



Frame	Designation	Order No.
Pin	HDC-CR6-2S GR	1758440000
Socket	HDC-CR6-2B GR	1758450000

Note For 2 modules



Size 3

CR6 ConCept frame, metal

Frame

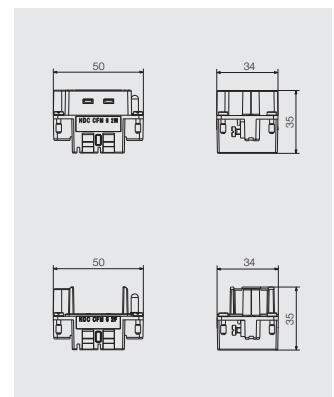


Screw connection



Frame	Designation	Order No.
Pin	HDC CFM 6 2M	1983830000
Socket	HDC CFM 6 2F	1983840000

Note For 2 modules



RockStar® Housings IP65 / IP66 / NEMA Type 4X
End locking, lower side
Size 3

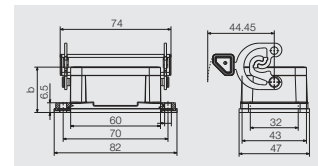


Base

Bulkhead housing



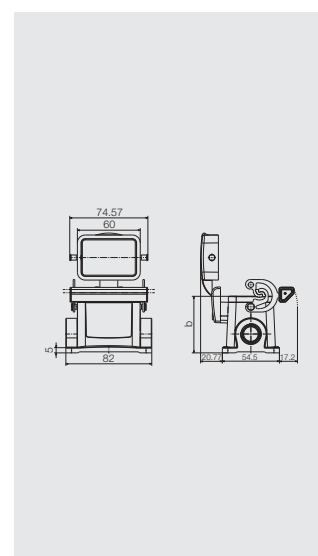
Version	Cover	b (mm)	Designation	Order No.
	without cover	29	HDC 06B ALU	1202100000
	with cover	47	HDC 06B ADLU	1202500000



Base housing



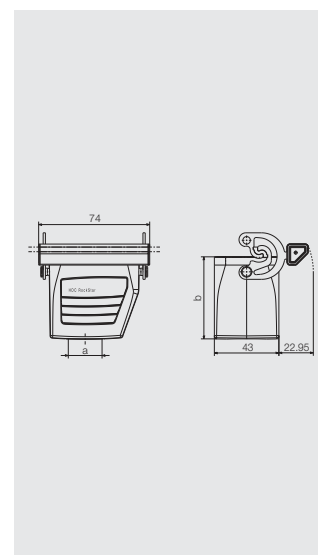
a	Version	Cover	b (mm)	Designation	Order No.
M20	w. threading	without cover	54	HDC 06B SLU 1M20G	1900460000
M20	w. threading	with cover	72	HDC 06B SDLU 1M20G	1900360000
M20	w. threading	without cover	54	HDC 06B SLU 2M20G	1788140000
M20	w. threading	with cover	72	HDC 06B SDLU 2M20G	1788170000
M25	w. threading	without cover	54	HDC 06B SLU 1M25G	1900480000
M25	w. threading	with cover	72	HDC 06B SDLU 1M25G	1900380000
M25	w. threading	without cover	74	HDC 16D SLU 1M25G	1900880000
M25	w. threading	with cover	92	HDC 16D SDLU 1M25G	1900820000
M25	w. threading	without cover	54	HDC 06B SLU 2M25G	1788130000
M25	w. threading	without cover	74	HDC 16D SLU 2M25G	1787520000
M25	w. threading	with cover	92	HDC 16D SDLU 2M25G	1787540000
M25	w. threading	with cover	72	HDC 06B SDLU 2M25G	1788160000
M32	w. threading	without cover	74	HDC 16D SLU 1M32G	1900900000
M32	w. threading	without cover	74	HDC 16D SLU 2M32G	1787510000
PG 16	w. threading	without cover	54	HDC 06B SLU 1PG16G	1652750000
PG 16	w. threading	with cover	72	HDC 06B SDLU 1PG16G	1652980000
PG 16	w. threading	without cover	54	HDC 06B SLU 2PG16G	1652760000
PG 16	w. threading	with cover	72	HDC 06B SDLU 2PG16G	1652990000
PG 21	w. threading	without cover	74	HDC 16D SLU 2PG21G	1652840000



Coupling housing



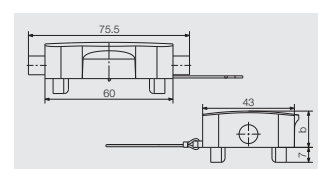
a	Version	Cover	b (mm)	Designation	Order No.
M25	w. threading	without cover	55	HDC 06B KLU 1M25G	1021330000
PG 16	w. threading	without cover	55	HDC 06B KLU 1PG16G	1653200000
PG 21	w. threading	without cover	75	HDC 16D KLU 1PG21G	1653230000



Cover



Version	Designation	Order No.
For bases (lower parts of housings)	HDC 06B DODL 2BO	1665200000



RockStar® Housings IP65 / IP66 / NEMA Type 4X
End locking, lower side
Size 3

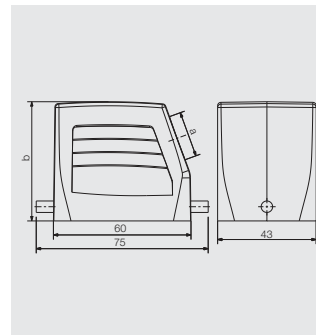


Hood

Plug housing, cable entry sideways



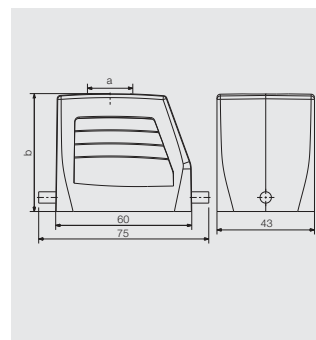
a	Version	Cover	b (mm)	Designation	Order No.
M20	w. threading	without cover 52		HDC 06B TSLU 1M20G	1788100000
M25	w. threading	without cover 52		HDC 06B TSLU 1M25G	1788090000
M25	w. threading	without cover 72		HDC 16D TSLU 1M25G	1787480000
M32	w. threading	without cover 72		HDC 16D TSLU 1M32G	1787470000
PG 13.5	w. threading	without cover 52		HDC 06B TSLU 1PG13G	1670530000
PG 16	w. threading	without cover 52		HDC 06B TSLU 1PG16G	1652520000
PG 21	w. threading	without cover 72		HDC 16D TSLU 1PG21G	1652560000
PG 29	w. threading	without cover 72		HDC 16D TSLU 1PG29G	1652580000



Plug housing, cable entry at top



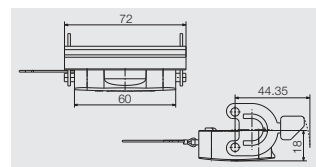
a	Version	Cover	b (mm)	Designation	Order No.
M20	w. threading	without cover 52		HDC 06B TOLU 1M20G	1788120000
M25	w. threading	without cover 52		HDC 06B TOLU 1M25G	1788110000
M25	w. threading	without cover 72		HDC 16D TOLU 1M25G	1787500000
M32	w. threading	without cover 72		HDC 16D TOLU 1M32G	1787490000
PG 13.5	w. threading	without cover 52		HDC 06B TOLU 1PG13G	1670500000
PG 16	w. threading	without cover 52		HDC 06B TOLU 1PG16G	1652640000
PG 21	w. threading	without cover 72		HDC 16D TOLU 1PG21G	1652680000
PG 29	w. threading	without cover 72		HDC 16D TOLU 1PG29G	1652700000



Cover



Version	Designation	Order No.
For hoods (upper parts of housings)	HDC 06B DMDL 1LB	1665210000



Size 4

CR10 ConCept frame, plastic



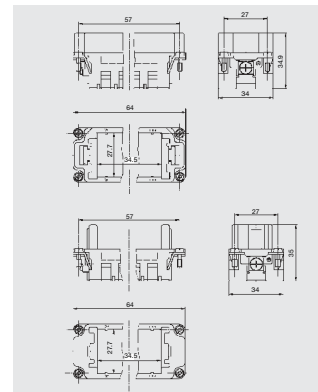
Frame

Screw connection



Frame	Designation	Order No.
Pin	HDC-CR10-3S GR	1758460000
Socket	HDC-CR10-3B GR	1758470000

Note For 3 modules



Size 4

CR10 ConCept frame, metal



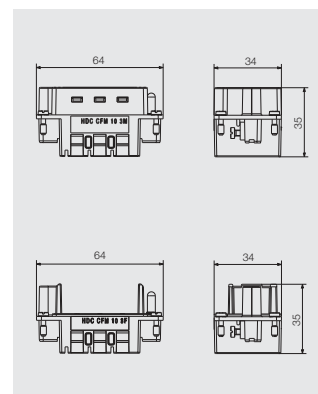
Frame

Screw connection



Frame	Designation	Order No.
Pin	HDC CFM 10 3M	1983850000
Socket	HDC CFM 10 3F	1983860000

Note For 3 modules



RockStar® Housings IP65 / IP66 / NEMA Type 4X
Side locking, lower side
Size 4

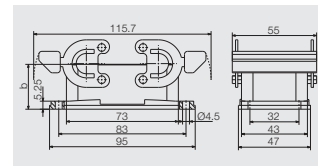


Base

Bulkhead housing



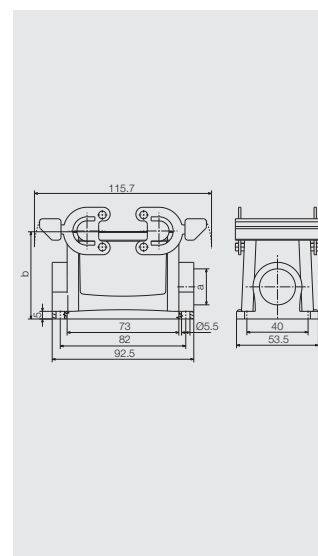
Version	Cover	b (mm)	Designation	Order No.
	without cover	29,3	HDC 10B ABU	1205000000



Base housing



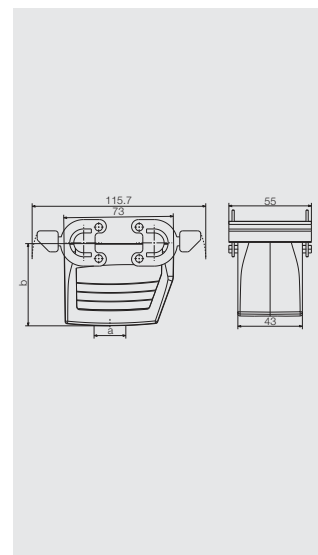
a	Version	Cover	b (mm)	Designation	Order No.
M20	w. threading	without cover	57	HDC 10B SBU 1M20G	1901360000
M20	w. threading	without cover	57	HDC 10B SBU 2M20G	1787640000
M25	w. threading	without cover	57	HDC 10B SBU 1M25G	1901370000
M25	w. threading	without cover	57	HDC 10B SBU 2M25G	1787630000
M25	w. threading	without cover	74	HDC 24D SBU 1M25G	1903210000
M25	w. threading	without cover	74	HDC 24D SBU 2M25G	1787350000
M32	w. threading	without cover	74	HDC 24D SBU 1M32G	1903220000
M32	w. threading	without cover	74	HDC 24D SBU 2M32G	1787360000
PG 16	w. threading	without cover	57	HDC 10B SBU 1PG16G	1654370000
PG 16	w. threading	without cover	57	HDC 10B SBU 2PG16G	1654380000
PG 21	w. threading	without cover	74	HDC 24D SBU 2PG21G	1654450000
PG 29	w. threading	without cover	74	HDC 24D SBU 1PG29G	1654470000



Coupling housing



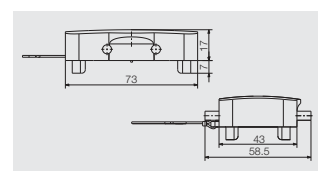
a	Version	Cover	b (mm)	Designation	Order No.
M20	w. threading	without cover	55	HDC 10B KBU 1M20G	1787720000
PG 16	w. threading	without cover	55	HDC 10B KBU 1PG16G	1654580000



Cover



Version	Designation	Order No.
For bases (lower parts of housings)	HDC 10B DODQ 4BO	1665230000



RockStar® Housings IP65 / IP66 / NEMA Type 4X
Side locking, lower side
Size 4

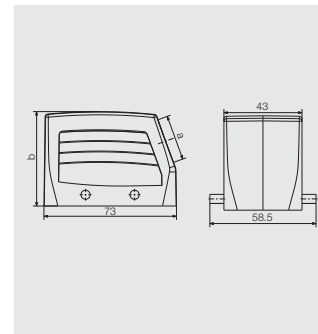


Hood

Plug housing, cable entry sideways



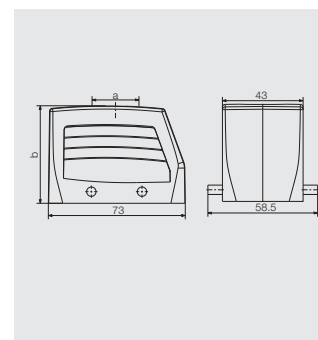
a	Version	Cover	b (mm)	Designation	Order No.
M20	w. threading	without cover 52		HDC 10B TSBU 1M20G	1787560000
M25	w. threading	without cover 52		HDC 10B TSBU 1M25G	1787550000
M25	w. threading	without cover 72		HDC 24D TSBU 1M25G	1787240000
M32	w. threading	without cover 72		HDC 24D TSBU 1M32G	1787230000
PG 16	w. threading	without cover 52		HDC 10B TSBU 1PG16G	1654070000
PG 21	w. threading	without cover 52		HDC 10B TSBU 1PG21G	1654090000
PG 21	w. threading	without cover 72		HDC 24D TSBU 1PG21G	1654150000
PG 29	w. threading	without cover 72		HDC 24D TSBU 1PG29G	1654170000



Plug housing, cable entry at top



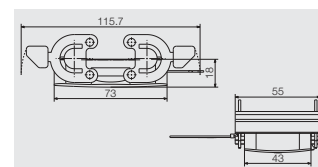
a	Version	Cover	b (mm)	Designation	Order No.
M20	w. threading	without cover 52		HDC 10B TOBU 1M20G	1787600000
M25	w. threading	without cover 52		HDC 10B TOBU 1M25G	1787590000
M25	w. threading	without cover 72		HDC 24D TOBU 1M25G	1787300000
M32	w. threading	without cover 72		HDC 24D TOBU 1M32G	1787290000
PG 16	w. threading	without cover 52		HDC 10B TOBU 1PG16G	1654220000
PG 21	w. threading	without cover 52		HDC 10B TOBU 1PG21G	1654240000
PG 29	w. threading	without cover 72		HDC 24D TOBU 1PG29G	1654320000



Cover



Version	Designation	Order No.
For hoods (upper parts of housings)	HDC 10B DMDQ 2QB	1665240000



RockStar® Housings IP65 / IP66 / NEMA Type 4X
End locking, lower side
Size 4

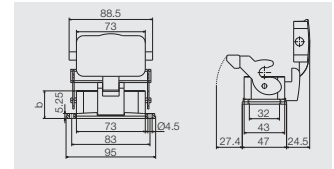


Base

Bulkhead housing



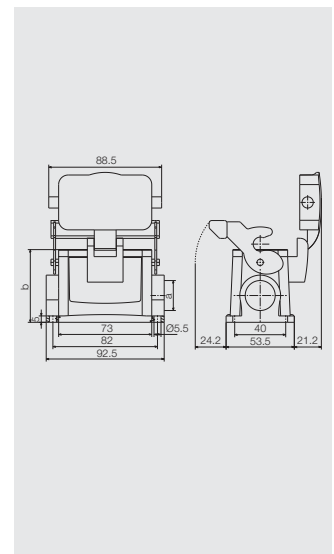
Version	Cover	b (mm)	Designation	Order No.
	with cover	47	HDC 10B ADLU	1206500000
	without cover	29.3	HDC 10B ALU	1206100000



Base housing



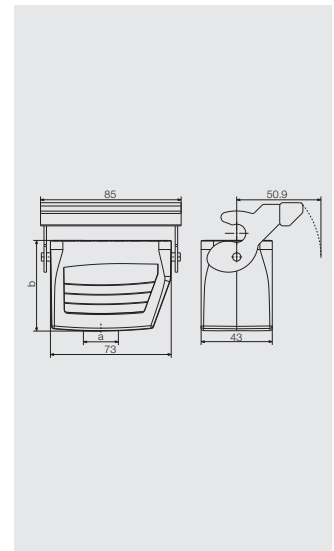
a	Version	Cover	b (mm)	Designation	Order No.
M20	w. threading	without cover	57	HDC 10B SLU 1M20G	1901620000
M20	w. threading	with cover	79.5	HDC 10B SDLU 1M20G	1901570000
M20	w. threading	without cover	57	HDC 10B SLU 2M20G	1787660000
M20	w. threading	with cover	79.5	HDC 10B SDLU 2M20G	1787700000
M25	w. threading	without cover	57	HDC 10B SLU 1M25G	1901640000
M25	w. threading	with cover	96.5	HDC 24D SDLU 1M25G	1903410000
M25	w. threading	without cover	57	HDC 10B SLU 2M25G	1787650000
M25	w. threading	with cover	96.5	HDC 24D SDLU 2M25G	1787420000
M32	w. threading	without cover	74	HDC 24D SLU 1M32G	1903560000
M32	w. threading	with cover	96.5	HDC 24D SDLU 1M32G	1903510000
M32	w. threading	without cover	74	HDC 24D SLU 2M32G	1787370000
M32	w. threading	with cover	96.5	HDC 24D SDLU 2M32G	1787410000
PG 16	w. threading	without cover	57	HDC 10B SLU 2PG16G	1655470000
PG 16	w. threading	with cover	79.5	HDC 10B SDLU 2PG16G	1655680000



Coupling housing



a	Version	Cover	b (mm)	Designation	Order No.
M20	w. threading	without cover	55	HDC 10B KLU 1M20G	1787740000
M25	w. threading	without cover	55	HDC 10B KLU 1M25G	1787730000
M25	w. threading	without cover	75	HDC 24D KLU 1M25G	1787460000
M32	w. threading	without cover	75	HDC 24D KLU 1M32G	1787450000
PG 16	w. threading	without cover	55	HDC 10B KLU 1PG16G	1655890000



RockStar® Housings IP65 / IP66 / NEMA Type 4X
End locking, lower side
Size 4

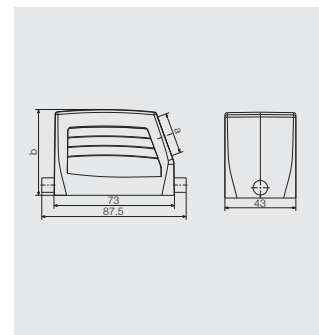


Hood

Plug housing, cable entry sideways



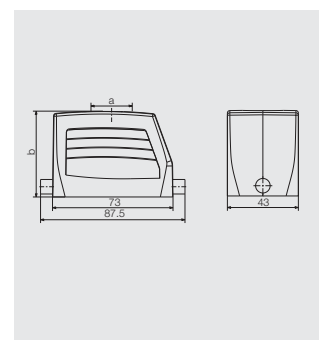
a	Version	Cover	b (mm)	Designation	Order No.
M25	w. threading	without cover 52		HDC 10B TSLU 1M25G	1787580000
M25	w. threading	without cover 72		HDC 24D TSLU 1M25G	1787280000
M32	w. threading	without cover 72		HDC 24D TSLU 1M32G	1787270000
PG 16	w. threading	without cover 52		HDC 10B TSLU 1PG16G	1655210000
PG 21	w. threading	without cover 72		HDC 24D TSLU 1PG21G	1655250000
PG 29	w. threading	without cover 72		HDC 24D TSLU 1PG29G	1655270000



Plug housing, cable entry at top



a	Version	Cover	b (mm)	Designation	Order No.
M25	w. threading	without cover 52		HDC 10B TOLU 1M25G	1787620000
M25	w. threading	without cover 72		HDC 24D TOLU 1M25G	1787340000
M32	w. threading	without cover 72		HDC 24D TOLU 1M32G	1787330000
PG 16	w. threading	without cover 52		HDC 10B TOLU 1PG16G	1655320000
PG 21	w. threading	without cover 72		HDC 24D TOLU 1PG21G	1655360000
PG 29	w. threading	without cover 72		HDC 24D TOLU 1PG29G	1655380000



ConCept module frame

Size 4

End locking clamp on housing bottom

The plug and play solution for your motor. With short assembly times and free choice of connection technology, this is Weidmüller's low-cost solution for heavy-duty connectors.

The HDC HB 10 AWVL angled housing replaces the motor terminal box. The housing can be mounted in four different ways (offset by 90°) thanks to fixing dimensions of 68 x 68 mm.

Suitable for use with standard inserts of the HE-10 series (screw, tension clamp or push-in technology) or inserts from the modular ConCept system.

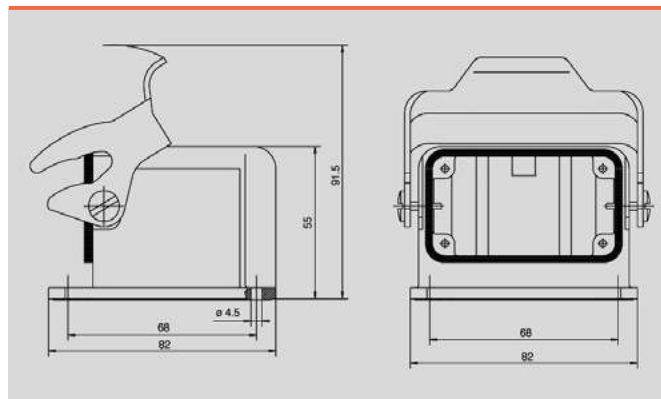
HDC HB 10 AWVL



Ordering data

Type	Qty	Order No.
HDC HB 10 AWVL	1	1790040000

Dimensions



RockStar® Housings IP65 / IP66 / NEMA Type 4X
Side locking, upper side
Size 4

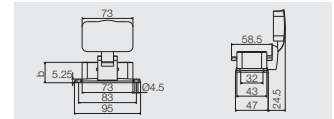


Base

Bulkhead housing



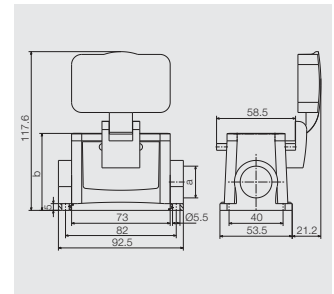
Version	Cover	b (mm)	Designation	Order No.
	with cover	51.6	HDC 10B ADBO	1205600000



Base housing



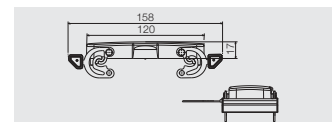
a	Version	Cover	b (mm)	Designation	Order No.
M20	w. threading	with cover	79.5	HDC 10B SDBO 1M20G	1901490000
M20	w. threading	with cover	79.5	HDC 10B SDBO 2M20G	1787680000
M25	w. threading	with cover	79.5	HDC 10B SDBO 1M25G	1901510000
M25	w. threading	with cover	96.5	HDC 24D SDBO 1M25G	1903370000
M25	w. threading	with cover	79.5	HDC 10B SDBO 2M25G	1787670000
M25	w. threading	with cover	96.5	HDC 24D SDBO 2M25G	1787400000
PG 16	w. threading	with cover	79.5	HDC 10B SDBO 2PG16G	1655000000



Cover



Version	Designation	Order No.
For bases (lower parts of housings)	HDC 10B DODQ 2QB CS	1009080000

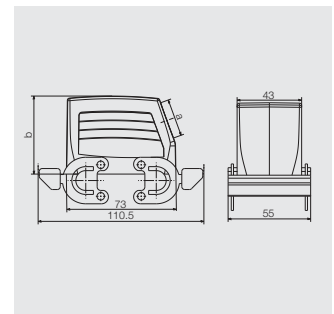


Hood

Plug housing, cable entry sideways



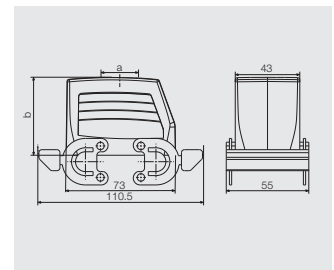
a	Version	Cover	b (mm)	Designation	Order No.
M25	w. threading	without cover	52	HDC 10B TSBO 1M25G	1787570000
M25	w. threading	without cover	72	HDC 24D TSBO 1M25G	1787260000
M32	w. threading	without cover	72	HDC 24D TSBO 1M32G	1787250000
PG 16	w. threading	without cover	52	HDC 10B TSBO 1PG16G	1654750000
PG 16	w. threading	without cover	72	HDC 24D TSBO 1PG16G	1654810000
PG 21	w. threading	without cover	72	HDC 24D TSBO 1PG21G	1654790000



Plug housing, cable entry at top



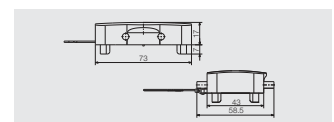
a	Version	Cover	b (mm)	Designation	Order No.
M25	w. threading	without cover	52	HDC 10B TOBO 1M25G	1787610000
PG 16	w. threading	without cover	52	HDC 10B TOBO 1PG16G	1654860000
PG 29	w. threading	without cover	72	HDC 24D TOBO 1PG29G	1654920000



Cover



Version	Designation	Order No.
For hoods (upper parts of housings)	HDC 10B DMDQ 4BO	1665250000



ConCept module frame

RockStar® Housings IP65 / IP66 / NEMA Type 4X
Central-locking clamp
Size 4

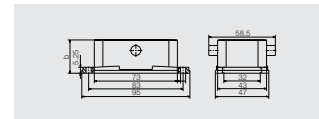


Base

Bulkhead housing



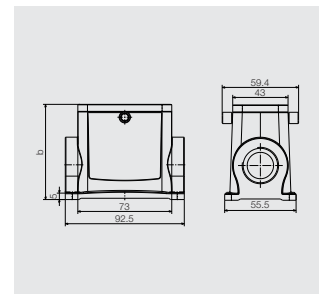
a	Version	Cover	b (mm)	Designation	Order No.
		without cover	29.3	HDC 10B AZO	1901700000



Base housing



a	Version	Cover	b (mm)	Designation	Order No.
PG 21	w. threading	without cover		HDC 24D SZO 2PG21G	1968350000

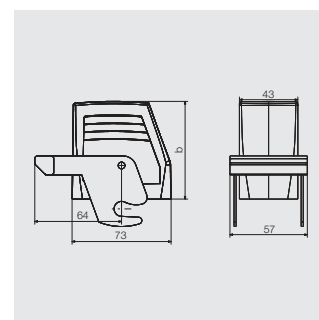


Hood

Plug housing, cable entry sideways



a	Version	Cover	b (mm)	Designation	Order No.
M25	w. threading	without cover	72	HDC 24D TSZO 1M25G	1903610000
PG 21	w. threading	without cover	72	HDC 24D TSZO 1PG21G	1968360000



Size 6

CR16 ConCept frame, plastic

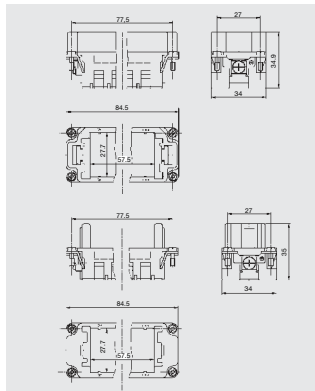
Frame

Screw connection



Frame	Designation	Order No.
Pin	HDC-CR16-5S GR	1758480000
Socket	HDC-CR16-5B GR	1758490000

Note For 5 modules



Size 6

CR16 ConCept frame, metal

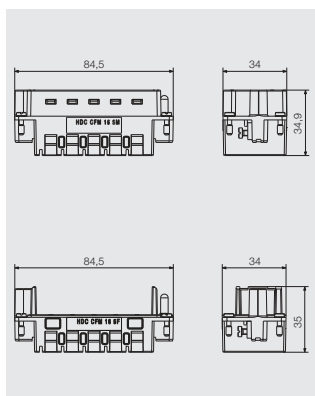
Frame

Screw connection



Frame	Designation	Order No.
Pin	HDC CFM 16 5M	1983870000
Socket	HDC CFM 16 5F	1983880000

Note For 5 modules



RockStar® Housings IP65 / IP66 / NEMA Type 4X
Side locking, lower side
Size 6

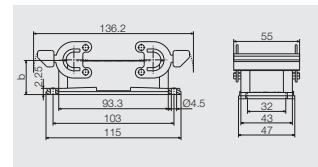


Base

Bulkhead housing



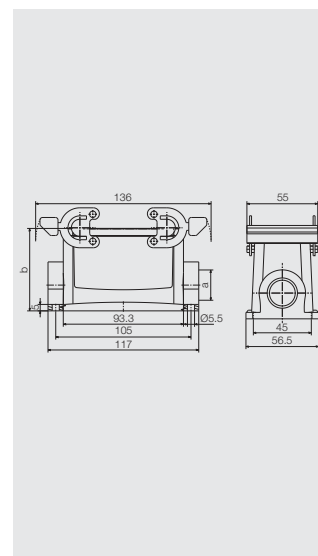
Version	Cover	b (mm)	Designation	Order No.
	without cover 29		HDC 16B ABU	120860000



Base housing



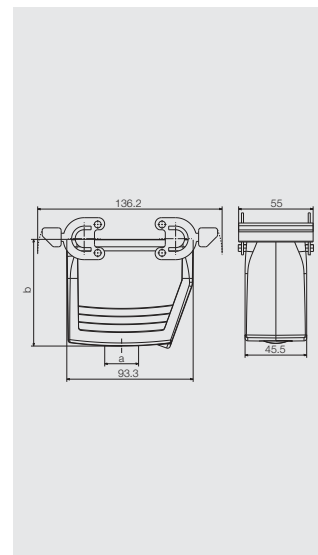
a	Version	Cover	b (mm)	Designation	Order No.
M25	w. threading	without cover 64		HDC 16B SBU 1M25G	1899980000
M25	w. threading	without cover 84		HDC 40D SBU 1M25G	1902970000
M25	w. threading	without cover 64		HDC 16B SBU 2M25G	1788240000
M25	w. threading	without cover 84		HDC 40D SBU 2M25G	1787120000
M32	w. threading	without cover 84		HDC 40D SBU 1M32G	1902990000
M32	w. threading	without cover 84		HDC 40D SBU 2M32G	1787110000
PG 21	w. threading	without cover 64		HDC 16B SBU 1PG21G	1656720000
PG 21	w. threading	without cover 64		HDC 16B SBU 2PG21G	1656730000
PG 21	w. threading	without cover 84		HDC 40D SBU 2PG21G	1656810000
PG 29	w. threading	without cover 84		HDC 40D SBU 1PG29G	1656830000
PG 29	w. threading	without cover 84		HDC 40D SBU 2PG29G	1656840000



Coupling housing



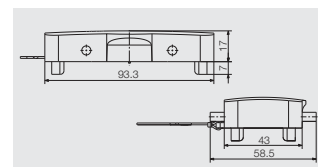
a	Version	Cover	b (mm)	Designation	Order No.
M25	w. threading	without cover 79		HDC 40D KBU 1M25G	1787200000
M32	w. threading	without cover 79		HDC 40D KBU 1M32G	1787190000
PG 21	w. threading	without cover 64		HDC 16B KBU 1PG21G	1657270000
PG 21	w. threading	without cover 79		HDC 40D KBU 1PG21G	1657310000
PG 29	w. threading	without cover 79		HDC 40D KBU 1PG29G	1967670000



Cover



Version	Designation	Order No.
For bases (lower parts of housings)	HDC 16B DODQ 4BO	1665260000



RockStar® Housings IP65 / IP66 / NEMA Type 4X
Side locking, lower side
Size 6

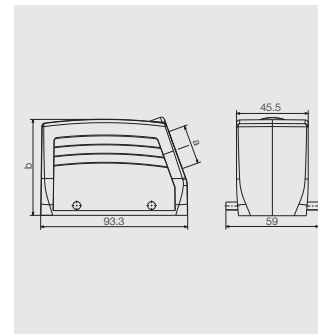


Hood

Plug housing, cable entry sideways



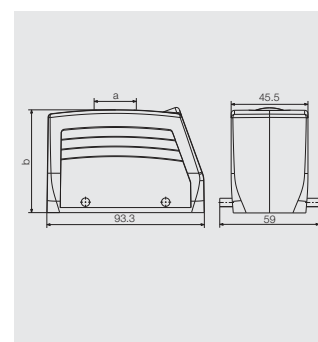
a	Version	Cover	b (mm)	Designation	Order No.
M25	w. threading	without cover 61		HDC 16B TSBU 1M25G	1788180000
M25	w. threading	without cover 76		HDC 40D TSBU 1M25G	1787010000
M32	w. threading	without cover 76		HDC 40D TSBU 1M32G	1787000000
M40	w. threading	without cover 61		HDC 16B TSBU 1M40G	1809620000
M40	w. threading	without cover 76		HDC 40D TSBU 1M40G	1904800000
PG 21	w. threading	without cover 61		HDC 16B TSBU 1PG21G	1656480000
PG 21	w. threading	without cover 76		HDC 40D TSBU 1PG21G	1656520000
PG 29	w. threading	without cover 76		HDC 40D TSBU 1PG29G	1656540000



Plug housing, cable entry at top



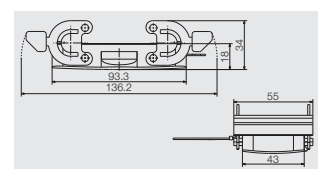
a	Version	Cover	b (mm)	Designation	Order No.
M25	w. threading	without cover 61		HDC 16B TOBU 1M25G	1788210000
M25	w. threading	without cover 76		HDC 40D TOBU 1M25G	1787070000
M32	w. threading	without cover 76		HDC 40D TOBU 1M32G	1787060000
PG 21	w. threading	without cover 61		HDC 16B TOBU 1PG21G	1656590000
PG 21	w. threading	without cover 76		HDC 40D TOBU 1PG21G	1656630000
PG 29	w. threading	without cover 76		HDC 40D TOBU 1PG29G	1656650000



Cover



Version	Designation	Order No.
For hoods (upper parts of housings)	HDC 16B DMDQ 2QB	1665270000



RockStar® Housings IP65 / IP66 / NEMA Type 4X
End locking, lower side
Size 6

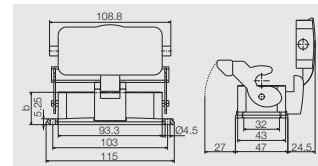


Base

Bulkhead housing



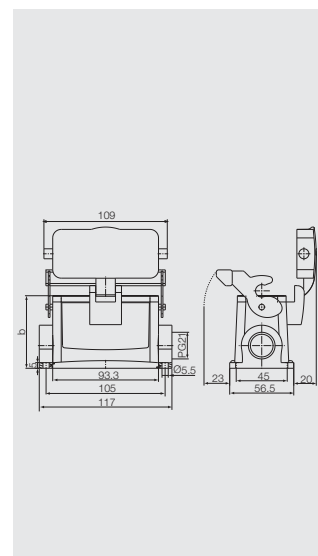
Version	Cover	b (mm)	Designation	Order No.
	with cover	47	HDC 16B ADLU	1210100000
	without cover	29	HDC 16B ALU	1209700000



Base housing



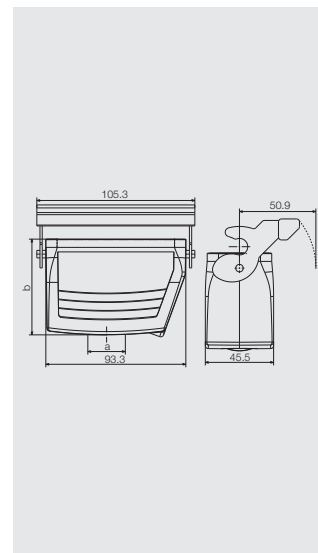
a	Version	Cover	b (mm)	Designation	Order No.
M25	w. threading	without cover	64	HDC 16B SLU 1M25G	1900170000
M25	w. threading	with cover	102	HDC 40D SDLU 1M25G	1903070000
M25	w. threading	without cover	64	HDC 16B SLU 2M25G	1788250000
M25	w. threading	with cover	82	HDC 16B SDLU 2M25G	1788270000
M25	w. threading	with cover	102	HDC 40D SDLU 2M25G	1787180000
M32	w. threading	without cover	84	HDC 40D SLU 1M32G	1903110000
M32	w. threading	with cover	102	HDC 40D SDLU 1M32G	1903080000
M32	w. threading	without cover	84	HDC 40D SLU 2M32G	1804660000
M32	w. threading	with cover	102	HDC 40D SDLU 2M32G	1787170000
PG 21	w. threading	without cover	64	HDC 16B SLU 1PG21G	1658110000
PG 21	w. threading	with cover	82	HDC 16B SDLU 1PG21G	1658320000
PG 21	w. threading	without cover	64	HDC 16B SLU 2PG21G	1658120000
PG 21	w. threading	with cover	82	HDC 16B SDLU 2PG21G	1658330000
PG 29	w. threading	with cover	102	HDC 40D SDLU 1PG29G	1658410000



Coupling housing



a	Version	Cover	b (mm)	Designation	Order No.
M25	w. threading	without cover	64	HDC 16B KLU 1M25G	1788290000
M25	w. threading	without cover	79	HDC 40D KLU 1M25G	1787220000



RockStar® Housings IP65 / IP66 / NEMA Type 4X
End locking, lower side
Size 6

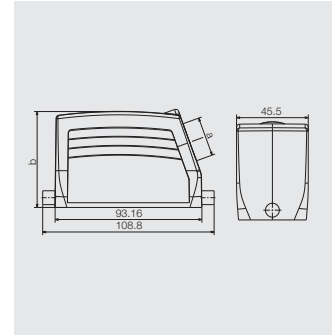


Hood

Plug housing, cable entry sideways



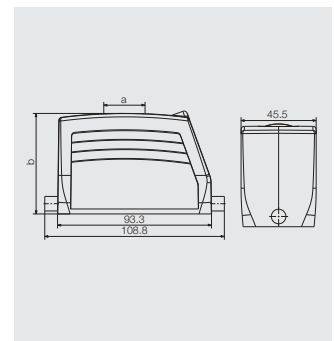
a	Version	Cover	b (mm)	Designation	Order No.
M25	w. threading	without cover 61		HDC 16B TSLU 1M25G	1788200000
M25	w. threading	without cover 76		HDC 40D TSLU 1M25G	1787050000
M32	w. threading	without cover 61		HDC 16B TSLU 1M32G	1804640000
M32	w. threading	without cover 76		HDC 40D TSLU 1M32G	1787040000
M40	w. threading	without cover 76		HDC 40D TSLU 1M40G	1804650000
PG 21	w. threading	without cover 61		HDC 16B TSLU 1PG21G	1657850000
PG 21	w. threading	without cover 76		HDC 40D TSLU 1PG21G	1657890000
PG 29	w. threading	without cover 76		HDC 40D TSLU 1PG29G	1657910000



Plug housing, cable entry at top



a	Version	Cover	b (mm)	Designation	Order No.
M25	w. threading	without cover 61		HDC 16B TOLU 1M25G	1788230000
M32	w. threading	without cover 61		HDC 16B TOLU 1M32G	1804630000
M32	w. threading	without cover 76		HDC 40D TOLU 1M32G	1787100000
PG 21	w. threading	without cover 61		HDC 16B TOLU 1PG21G	1657960000
PG 29	w. threading	without cover 76		HDC 40D TOLU 1PG29G	1658020000



ConCept module frame

RockStar® Housings IP65 / IP66 / NEMA Type 4X
Side locking, upper side
Size 6

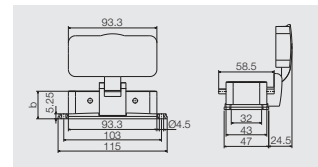


Base

Bulkhead housing



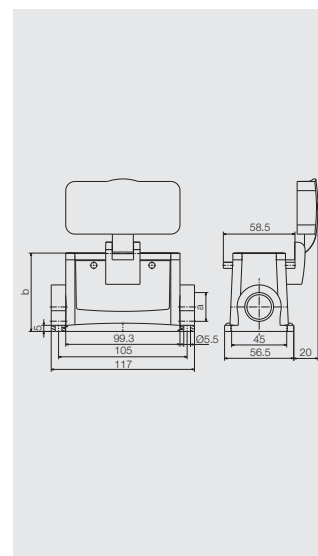
Version	Cover	b (mm)	Designation	Order No.
	with cover	47	HDC 16B ADBO	1209200000



Base housing



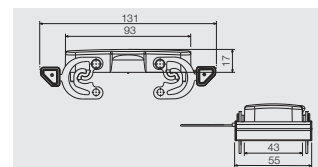
a	Version	Cover	b (mm)	Designation	Order No.
M25	w. threading	with cover	82	HDC 16B SDBO 1M25G	1900080000
M25	w. threading	with cover	82	HDC 16B SDBO 2M25G	1788260000
PG 21	w. threading	with cover	82	HDC 16B SDBO 2PG21G	1657640000



Cover



Version	Designation	Order No.
For bases (lower parts of housings)	HDC 16B DODQ 2QB CS	1009090000



RockStar® Housings IP65 / IP66 / NEMA Type 4X
Side locking, upper side
Size 6

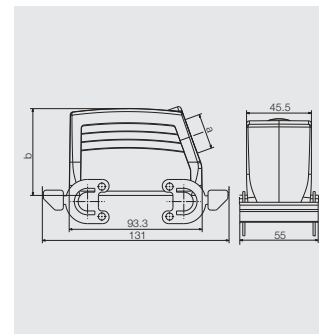


Hood

Plug housing, cable entry sideways



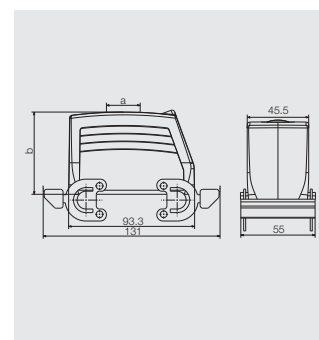
a	Version	Cover	b (mm)	Designation	Order No.
M25	w. threading	without cover 61	61	HDC 16B TSBO 1M25G	1788190000
M25	w. threading	without cover 76	76	HDC 40D TSBO 1M25G	1787030000
M32	w. threading	without cover 76	76	HDC 40D TSBO 1M32G	1787020000
PG 21	w. threading	without cover 61	61	HDC 16B TSBO 1PG21G	1657380000
PG 21	w. threading	without cover 76	76	HDC 40D TSBO 1PG21G	1657420000



Plug housing, cable entry at top



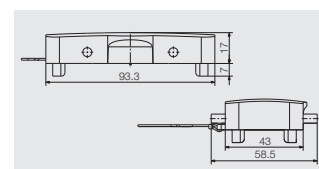
a	Version	Cover	b (mm)	Designation	Order No.
M25	w. threading	without cover 61	61	HDC 16B TOBO 1M25G	1788220000
PG 21	w. threading	without cover 61	61	HDC 16B TOBO 1PG21G	1657490000
PG 29	w. threading	without cover 76	76	HDC 40D TOBO 1PG29G	1657550000



Cover



Version	Designation	Order No.
For hoods (upper parts of housings)	HDC 16B DMDQ 4BO	1665620000



ConCept module frame

Size 8

CR24 ConCept frame, plastic

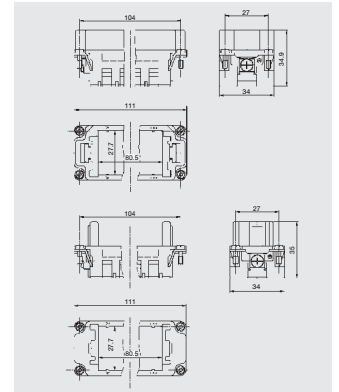
Frame

Screw connection



Frame	Designation	Order No.
Pin	HDC-CR24-7S GR	1758500000
Socket	HDC-CR24-7B GR	1758510000

Note For 7 modules



Size 8

CR24 ConCept frame, metal

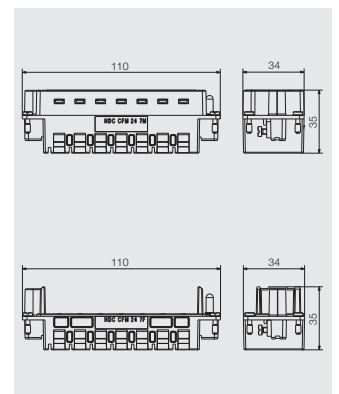
Frame

Screw connection



Frame	Designation	Order No.
Pin	HDC CFM 24 7M	1983890000
Socket	HDC CFM 24 7F	1983900000

Note For 7 modules



RockStar® Housings IP65 / IP66 / NEMA Type 4X
Side locking, lower side
Size 8

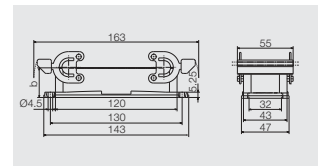


Base

Bulkhead housing



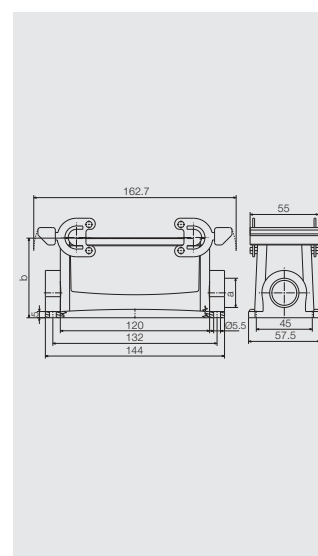
Version	Cover	b (mm)	Designation	Order No.
	without cover	29,3	HDC 24B ABU	1212400000



Base housing



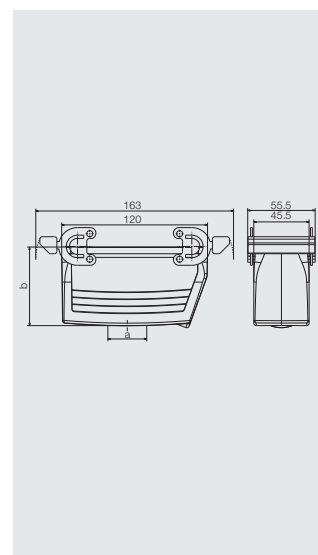
a	Version	Cover	b (mm)	Designation	Order No.
M25	w. threading	without cover	64	HDC 24B SBU 1M25G	1901150000
M25	w. threading	without cover	84	HDC 64D SBU 1M25G	1904340000
M25	w. threading	without cover	64	HDC 24B SBU 2M25G	1787870000
M25	w. threading	without cover	84	HDC 64D SBU 2M25G	1786890000
M32	w. threading	without cover	84	HDC 64D SBU 1M32G	1904350000
M32	w. threading	without cover	84	HDC 64D SBU 2M32G	1786880000
PG 21	w. threading	without cover	64	HDC 24B SBU 1PG21G	1661510000
PG 21	w. threading	without cover	64	HDC 24B SBU 2PG21G	1661520000
PG 21	w. threading	without cover	84	HDC 64D SBU 2PG21G	1661590000
PG 29	w. threading	without cover	84	HDC 64D SBU 2PG29G	1661630000



Coupling housing



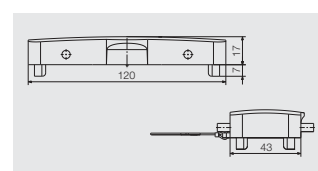
a	Version	Cover	b (mm)	Designation	Order No.
M25	w. threading	without cover	65	HDC 24B KBU 1M25G	1787920000
M32	w. threading	without cover	79	HDC 64D KBU 1M32G	1786960000
PG 21	w. threading	without cover	65	HDC 24B KBU 1PG21G	1661720000
PG 29	w. threading	without cover	65	HDC 24B KBU 1PG29G	1661730000
PG 29	w. threading	without cover	79	HDC 64D KBU 1PG29G	1661810000



Cover



Version	Designation	Order No.
For bases (lower parts of housings)	HDC 24B DODQ 4BO	1665630000



ConCept module frame

RockStar® Housings IP65 / IP66 / NEMA Type 4X Side locking, lower side Size 8

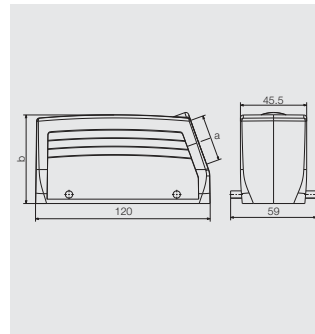


Hood

Plug housing, cable entry sideways



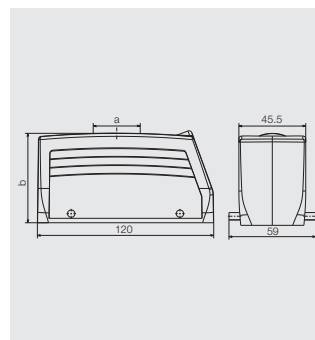
a	Version	Cover	b (mm)	Designation	Order No.
M25	w. threading	without cover 61		HDC 24B TSBU 1M25G	1787760000
M25	w. threading	without cover 76		HDC 64D TSBU 1M25G	1786780000
M32	w. threading	without cover 61		HDC 24B TSBU 1M32G	1787750000
M32	w. threading	without cover 76		HDC 64D TSBU 1M32G	1786770000
M40	w. threading	without cover 61		HDC 24B TSBU 1M40G	1902480000
M40	w. threading	without cover 76		HDC 64D TSBU 1M40G	1809630000
PG 21	w. threading	without cover 61		HDC 24B TSBU 1PG21G	1661230000
PG 21	w. threading	without cover 76		HDC 64D TSBU 1PG21G	1661300000
PG 29	w. threading	without cover 61		HDC 24B TSBU 1PG29G	1661240000
PG 29	w. threading	without cover 76		HDC 64D TSBU 1PG29G	1661320000



Plug housing, cable entry at top



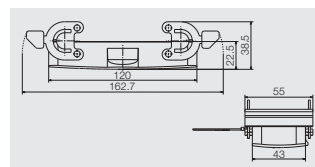
a	Version	Cover	b (mm)	Designation	Order No.
M25	w. threading	without cover 61		HDC 24B TOBU 1M25G	1787820000
M32	w. threading	without cover 61		HDC 24B TOBU 1M32G	1787810000
M32	w. threading	without cover 76		HDC 64D TOBU 1M32G	1786830000
M32	w. threading	without cover 76		HDC 64D TOBU 2M32G CS	1009710000
M40	w. threading	without cover 61		HDC 24B TOBU 1M40G	1902980000
PG 21	w. threading	without cover 61		HDC 24B TOBU 1PG21G	1661370000
PG 21	w. threading	without cover 76		HDC 64D TOBU 1PG21G	1661440000
PG 29	w. threading	without cover 61		HDC 24B TOBU 1PG29G	1661380000
PG 29	w. threading	without cover 76		HDC 64D TOBU 1PG29G	1661460000



Cover



Version	Designation	Order No.
For hoods (upper parts of housings)	HDC 24B DMDQ 2QB	1665640000



RockStar® Housings IP65 / IP66 / NEMA Type 4X
End locking, lower side
Size 8

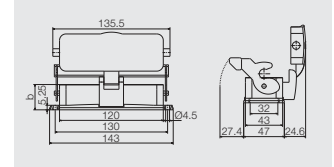


Base

Bulkhead housing



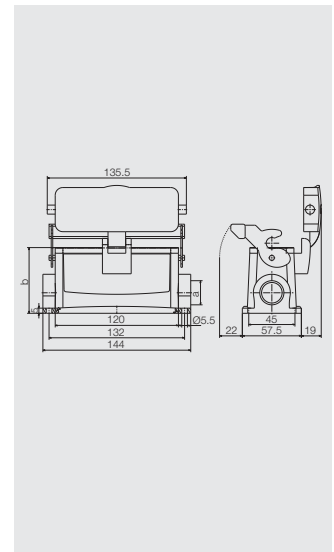
Version	Cover	b (mm)	Designation	Order No.
	with cover	47	HDC 24B ADLU	1214300000
	without cover	29.3	HDC 24B ALU	1213900000



Base housing



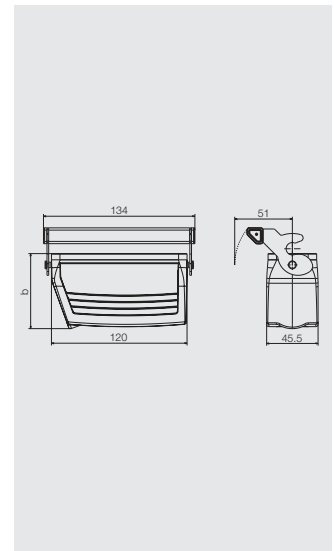
a	Version	Cover	b (mm)	Designation	Order No.
M25	w. threading	without cover	64	HDC 24B SLU 1M25G	1901560000
M25	w. threading	with cover	86	HDC 24B SDLU 1M25G	1901480000
M25	w. threading	without cover	84	HDC 64D SLU 1M25G	1904480000
M25	w. threading	with cover	106	HDC 64D SDLU 1M25G	1904430000
M25	w. threading	without cover	64	HDC 24B SLU 2M25G	1787880000
M25	w. threading	with cover	86	HDC 24B SDLU 2M25G	1787900000
M25	w. threading	without cover	84	HDC 64D SLU 2M25G	1786910000
M25	w. threading	with cover	106	HDC 64D SDLU 2M25G	1786950000
M32	w. threading	without cover	84	HDC 64D SLU 1M32G	1904490000
M32	w. threading	with cover	106	HDC 64D SDLU 1M32G	1904440000
M32	w. threading	without cover	84	HDC 64D SLU 2M32G	1786900000
M32	w. threading	with cover	106	HDC 64D SDLU 2M32G	1786940000
PG 21	w. threading	without cover	64	HDC 24B SLU 2PG21G	1662720000
PG 21	w. threading	with cover	86	HDC 24B SDLU 2PG21G	1214500000
PG 29	w. threading	with cover	106	HDC 64D SDLU 2PG29G	1663040000



Coupling housing



a	Version	Cover	b (mm)	Designation	Order No.
M25	w. threading	without cover	63.8	HDC 24B KLU 1M25G	1968340000



RockStar® Housings IP65 / IP66 / NEMA Type 4X
End locking, lower side
Size 8

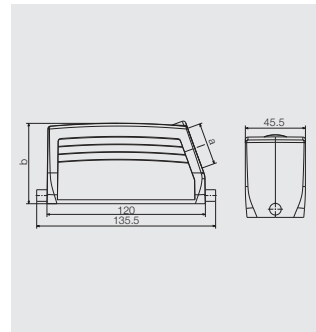


Hood

Plug housing, cable entry sideways



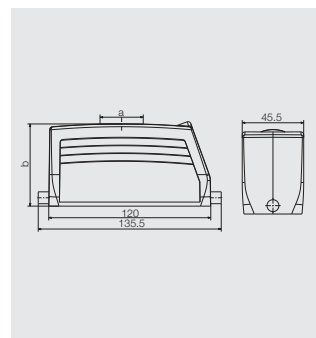
a	Version	Cover	b (mm)	Designation	Order No.
M25	w. threading	without cover 61		HDC 24B TSLU 1M25G	1787800000
M32	w. threading	without cover 61		HDC 24B TSLU 1M32G	1787790000
M32	w. threading	without cover 76		HDC 64D TSLU 1M32G	1786810000
M40	w. threading	without cover 76		HDC 64D TSLU 1M40G	1804610000
PG 21	w. threading	without cover 61		HDC 24B TSLU 1PG21G	1662390000
PG 21	w. threading	without cover 76		HDC 64D TSLU 1PG21G	1662470000
PG 29	w. threading	without cover 61		HDC 24B TSLU 1PG29G	1662410000
PG 29	w. threading	without cover 76		HDC 64D TSLU 1PG29G	1662490000



Plug housing, cable entry at top



a	Version	Cover	b (mm)	Designation	Order No.
M25	w. threading	without cover 61		HDC 24B TOLU 1M25G	1787860000
M25	w. threading	without cover 76		HDC 64D TOLU 1M25G	1786870000
M32	w. threading	without cover 61		HDC 24B TOLU 1M32G	1787850000
M32	w. threading	without cover 76		HDC 64D TOLU 1M32G	1786860000
M40	w. threading	without cover 76		HDC 64D TOLU 1M40G CS	1983470000
PG 21	w. threading	without cover 61		HDC 24B TOLU 1PG21G	1662540000
PG 21	w. threading	without cover 76		HDC 64D TOLU 1PG21G	1662610000
PG 29	w. threading	without cover 61		HDC 24B TOLU 1PG29G	1662550000
PG 29	w. threading	without cover 76		HDC 64D TOLU 1PG29G	1662630000



RockStar® Housings IP65 / IP66 / NEMA Type 4X
Side locking, upper side
Size 8

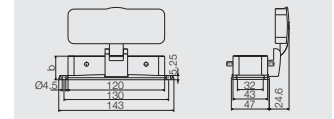


Base

Bulkhead housing



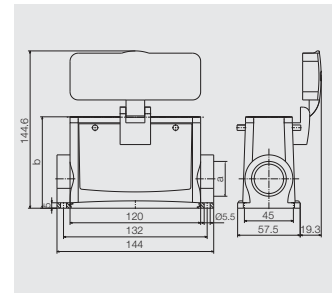
Version	Cover	b (mm)	Designation	Order No.
	with cover	51.3	HDC 24B ADBO	1213300000



Base housing



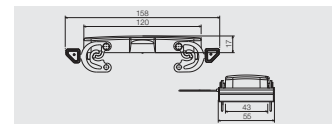
a	Version	Cover	b (mm)	Designation	Order No.
M32	w. threading	with cover	106	HDC 64D SDBO 1M32G	1904400000
M32	w. threading	with cover	106	HDC 64D SDBO 2M32G	1786920000
PG 21	w. threading	with cover	86	HDC 24B SDBO 2PG21G	1662180000
PG 29	w. threading	with cover	106	HDC 64D SDBO 1PG29G	1662280000



Cover



Version	Designation	Order No.
For bases (lower parts of housings)	HDC 24B DODQ 2QB CS	1009100000

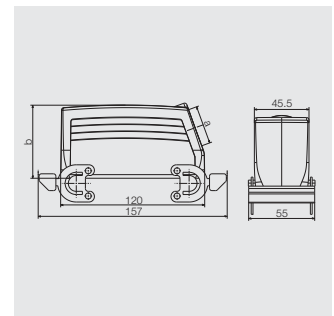


Hood

Plug housing, cable entry sideways



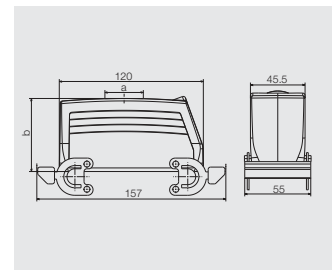
a	Version	Cover	b (mm)	Designation	Order No.
M25	w. threading	without cover	61	HDC 24B TSBO 1M25G	1787780000
M25	w. threading	without cover	76	HDC 64D TSBO 1M25G	1786800000
M32	w. threading	without cover	61	HDC 24B TSBO 1M32G	1787770000
M32	w. threading	without cover	76	HDC 64D TSBO 1M32G	1786790000
PG 21	w. threading	without cover	61	HDC 24B TSBO 1PG21G	1661860000
PG 21	w. threading	without cover	76	HDC 64D TSBO 1PG21G	1661940000
PG 29	w. threading	without cover	61	HDC 24B TSBO 1PG29G	1661880000
PG 29	w. threading	without cover	76	HDC 64D TSBO 1PG29G	1661960000



Plug housing, cable entry at top



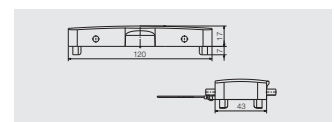
a	Version	Cover	b (mm)	Designation	Order No.
M32	w. threading	without cover	61	HDC 24B TOBO 1M32G	1787830000
PG 21	w. threading	without cover	76	HDC 64D TOBO 1PG21G	1662080000
PG 29	w. threading	without cover	61	HDC 24B TOBO 1PG29G	1662020000
PG 29	w. threading	without cover	76	HDC 64D TOBO 1PG29G	1662100000



Cover



Version	Designation	Order No.
For hoods (upper parts of housings)	HDC 24B DMDQ 4BO	1665650000



ConCept module frame

RockStar® Housings IP65 / IP66 / NEMA Type 4X
Central-locking clamp
Size 8

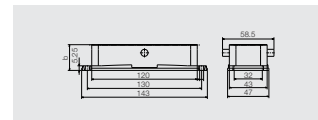


Base

Bulkhead housing



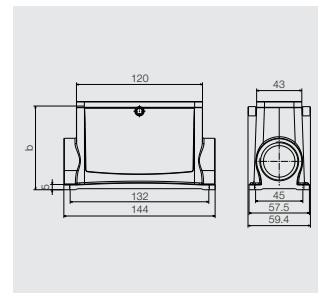
	Version	Cover	b (mm)	Designation	Order No.
		without cover	29,3	HDC 24B AZO	1611350000



Base housing



a	Version	Cover	b (mm)	Designation	Order No.
PG 29	w. threading	without cover	84	HDC 64D SZO 2PG29G	1968370000

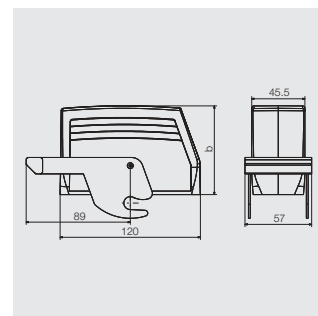


Hood

Plug housing, cable entry sideways



a	Version	Cover	b (mm)	Designation	Order No.
M40	w. threading	without cover	76	HDC 64D TSZO 1M40G	1904690000
PG 21	w. threading	without cover	76	HDC 64D TSZO 1PG21G	1663370000
PG 29	w. threading	without cover	76	HDC 64D TSZO 1PG29G	1663390000



Size 10

CR16 ConCept frame, plastic 2x



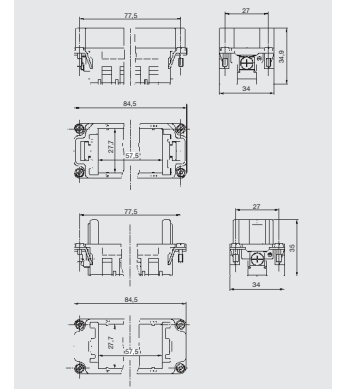
Frame

Screw connection



Frame	Designation	Order No.
Pin	HDC-CR16-5S-2 GR	1758520000
Pin	HDC-CR16-5S GR	1758480000
Socket	HDC-CR16-5B-2 GR	1758530000
Socket	HDC-CR16-5B GR	1758490000

Note For 2 x 5 modules



RockStar® Housings IP65 / IP66 / NEMA Type 4X
Side locking, lower side
Size 10

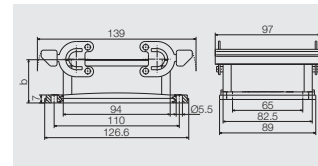


Base

Bulkhead housing



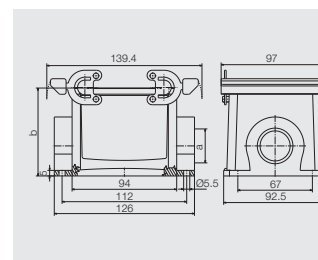
Version	Cover	b (mm)	Designation	Order No.
	without cover 38		HDC 32B ABU	1217800000



Base housing



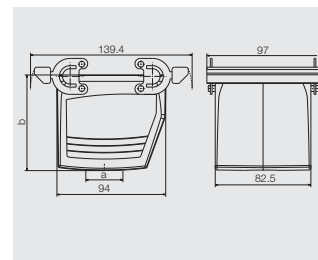
a	Version	Cover	b (mm)	Designation	Order No.
M32	w. threading	without cover 79		HDC 32B SBU 1M32G	1902600000
M32	w. threading	without cover 79		HDC 32B SBU 2M32G	1788460000
PG 29	w. threading	without cover 79		HDC 32B SBU 2PG29G	1666920000
PG 36	w. threading	without cover 79		HDC 32B SBU 1PG36G	1902610000
PG 36	w. threading	without cover 79		HDC 32B SBU 2PG36G	1902640000



Coupling housing



a	Version	Cover	b (mm)	Designation	Order No.
M40	w. threading	without cover 83		HDC 32B KBU 1M40G	1902730000
PG 29	w. threading	without cover 83		HDC 32B KBU 1PG29G	1902740000
PG 29	w. threading	without cover 83		HDC 32B KBU 1PG36G	1902750000

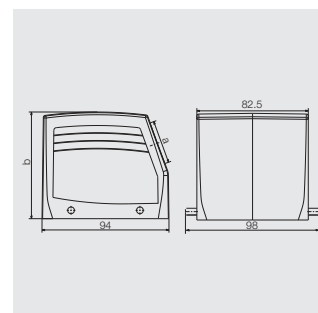


Hood

Plug housing, cable entry sideways



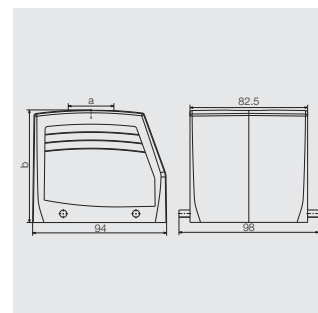
a	Version	Cover	b (mm)	Designation	Order No.
M32	w. threading	without cover 79		HDC 32B TSBU 1M32G	1788400000
PG 29	w. threading	without cover 79		HDC 32B TSBU 1PG29G	1666840000



Plug housing, cable entry at top



a	Version	Cover	b (mm)	Designation	Order No.
M32	w. threading	without cover 79		HDC 32B TOBU 1M32G	1788430000
PG 29	w. threading	without cover 79		HDC 32B TOBU 1PG29G	1666870000



RockStar® Housings IP65 / IP66 / NEMA Type 4X
End locking, lower side
Size 10

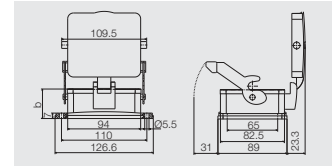


Base

Bulkhead housing



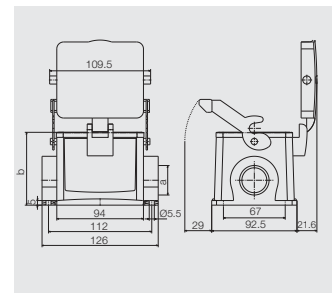
Version	Cover	b (mm)	Designation	Order No.
	with cover	55	HDC 32B ADLU	1219800000
	without cover	38	HDC 32B ALU	1219500000



Base housing



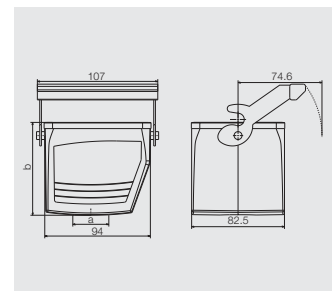
a	Version	Cover	b (mm)	Designation	Order No.
M32	w. threading	without cover	79	HDC 32B SLU 1M32G	1902670000
M32	w. threading	with cover	96	HDC 32B SDLU 1M32G	1902650000
M32	w. threading	without cover	79	HDC 32B SLU 2M32G	1788470000
M32	w. threading	with cover	96	HDC 32B SDLU 2M32G	1788490000



Coupling housing



a	Version	Cover	b (mm)	Designation	Order No.
M32	w. threading	without cover	83	HDC 32B KLU 1M32G	1788500000

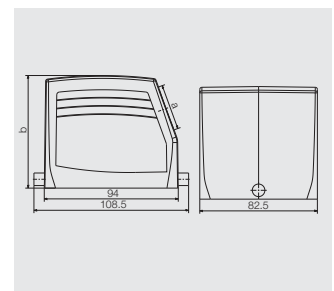


Hood

Plug housing, cable entry sideways



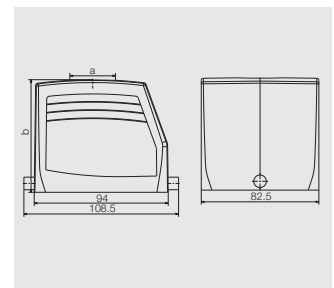
a	Version	Cover	b (mm)	Designation	Order No.
M32	w. threading	without cover	79	HDC 32B TSLU 1M32G	1788420000
PG 29	w. threading	without cover	79	HDC 32B TSLU 1PG29G	1667120000



Plug housing, cable entry at top



a	Version	Cover	b (mm)	Designation	Order No.
M32	w. threading	without cover	79	HDC 32B TOLU 1M32G	1788450000
PG 29	w. threading	without cover	79	HDC 32B TOLU 1PG 29G	1219300000



ConCept module frame

RockStar® Housings IP65 / IP66 / NEMA Type 4X
 Side locking, upper side
 Size 10

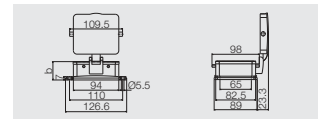


Base

Bulkhead housing



Version	Cover	b (mm)	Designation	Order No.
	with cover	55	HDC 32B ADBO	121880000



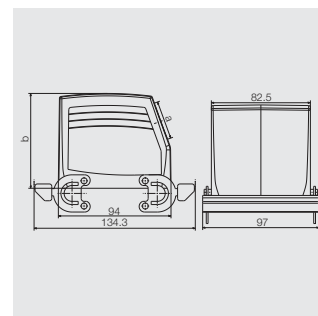
C

Hood

Plug housing, cable entry sideways



a	Version	Cover	b (mm)	Designation	Order No.
M32	w. threading	without cover	79	HDC 32B TSBO 1M32G	1788410000



Size 12

CR24 ConCept frame, plastic 2x



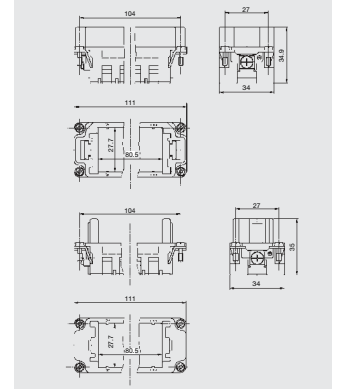
Frame

Screw connection



Frame	Designation	Order No.
Pin	HDC-CR24-7S-2 GR	1758540000
Pin	HDC-CR24-7S GR	1758500000
Socket	HDC-CR24-7B-2 GR	1758550000
Socket	HDC-CR24-7B GR	1758510000

Note For 2 x 7 modules



ConCept module frame

End locking, lower side

Size 12

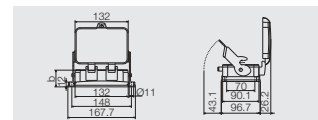
Base



Bulkhead housing



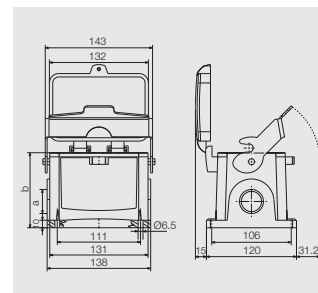
Version	Cover	b (mm)	Designation	Order No.
	with cover	62	HDC 48B ADLU	1222900000



Base housing



a	Version	Cover	b (mm)	Designation	Order No.
M32	w. threading	without cover	100	HDC 48B SLU 1M32G	1904190000
M32	w. threading	with cover	120	HDC 48B SDLU 1M32G	1904150000
M32	w. threading	without cover	100	HDC 48B SLU 2M32G	1788370000
M32	w. threading	with cover	120	HDC 48B SDLU 2M32G	1788390000
M40	w. threading	without cover	100	HDC 48B SLU 2M40G	1788360000
PG 29	w. threading	without cover	100	HDC 48B SLU 1PG29G	1651100000
PG 29	w. threading	with cover	120	HDC 48B SDLU 1PG29G	1799810000
PG 29	w. threading	with cover	120	HDC 48B SDLU 2PG29G	1667560000

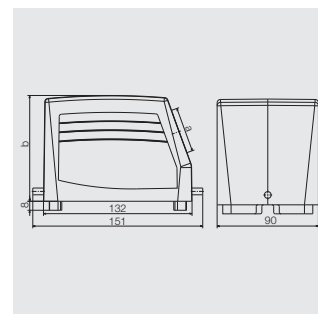


Hood

Plug housing, cable entry sideways



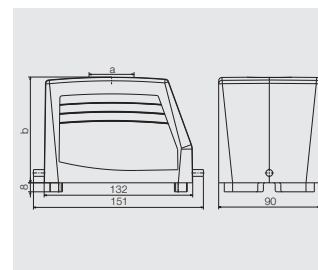
a	Version	Cover	b (mm)	Designation	Order No.
M32	w. threading	without cover	94	HDC 48B TSLU 1M32G	1788320000
M40	w. threading	without cover	94	HDC 48B TSLU 1M40G	1788310000
M50	w. threading	without cover	94	HDC 48B TSLU 1M50G	1788300000
PG 29	w. threading	without cover	94	HDC 48B TSLU 1PG29G	1650850000
PG 36	w. threading	without cover	94	HDC 48B TSLU 1PG36G	1650860000
PG 42	w. threading	without cover	94	HDC 48B TSLU 1PG42G	1670470000



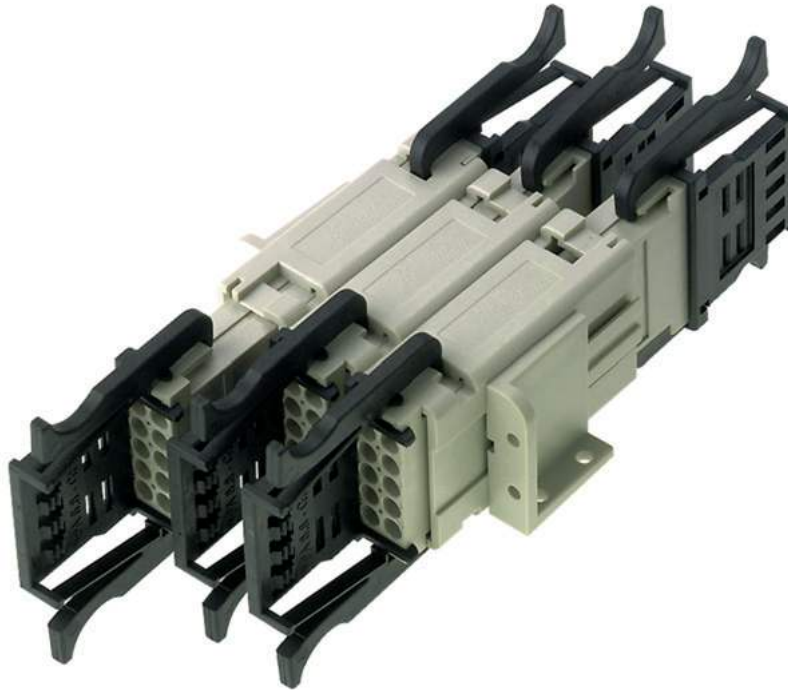
Plug housing, cable entry at top



a	Version	Cover	b (mm)	Designation	Order No.
M32	w. threading	without cover	94	HDC 48B TOLU 1M32G	1788350000
M50	w. threading	without cover	94	HDC 48B TOLU 1M50G	1788330000
PG 29	w. threading	without cover	94	HDC 48B TOLU 1PG29G	1650980000
PG 36	w. threading	without cover	94	HDC 48B TOLU 1PG36G	1651000000



Coupling frame for ConCept modules



The ModuFlex C coupling system together with modules from the ConCept connector system provides a flexible and low-cost solution for indoor applications (IP20 zone).

ConCept 3–20-pin male and female modules of the same pin number and design can be mounted in the coupling frame. Up to 5 coupling frames can be combined into a block with the help of the tongue-and-groove locking system. The coupling frames can also be locked onto TS32 and TS35 rail by using the mounting feet.

Each individual module can be individually plugged in and released. Thanks to the optional extractor / strain relief tool and the snap-on mounting bracket, ModuFlex C-coupling frames and the male and female modules of the ConCept system allow a wide range of combinations for all possible connector configurations.

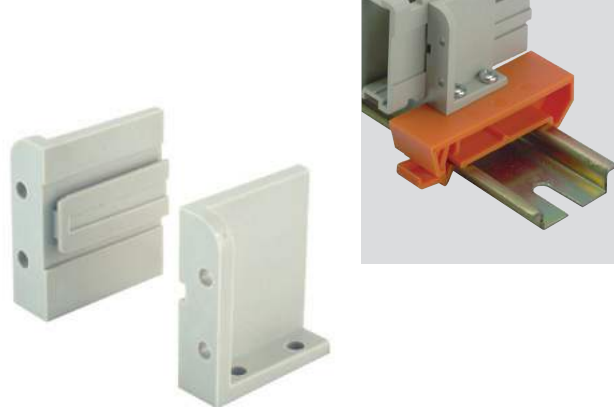
ModuFlex C

Coupling frame



- Max. 5 coupling frames in a row
- Protection from incorrect connection
- Force required to withdraw a single module from the coupling frame >170 N

Mounting bracket / mounting foot



- Mounting bracket**
- For fixing the coupling frames to a flat surface and to MOFU mounting foot
 - Hole diameter 3 mm
- Mounting foot**
- For fixing coupling frames to TS35x7.5 and TS35x15 mounting rails using mounting brackets

Technical data **C-CR**

	Coupling frame
Insulation	PC
Color	gray (RAL 7032)
Temperature range	-40 ... +120°C
Flammability class to UL 94	V-0

Ordering data

Type	Qty	Order No.
ModuFlex C-CR grau	10	1746060000

Technical data **C-MW** **MOFU**

	Mounting bracket	Mounting foot
Insulation	PC	PA
Color	gray (RAL 7032)	orange
Temperature range	-40 ... +120°C	-40 ... +120°C
Flammability class to UL 94	V-0	V-2

Ordering data

Type		Qty	Order No.
ModuFlex C-MW	Mounting bracket	10	1746070000
MOFU	Mounting foot	20	0495660000

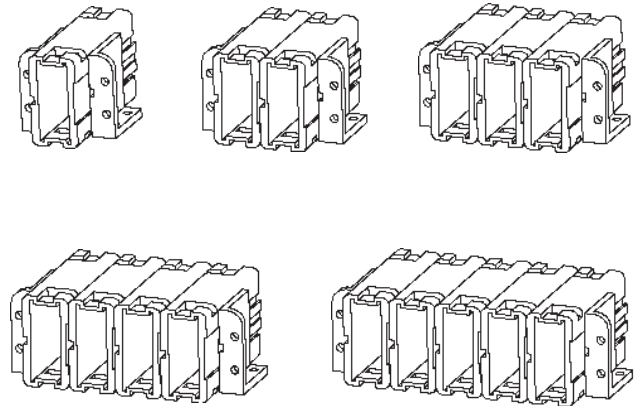
Accessories

Type	Qty	Order No.
<p>Crosshead screw for fastening the coupling to the mounting foot, to front and back panel and to a flat surface</p> <p>PTSC KB 30 x 6</p>	100	1766120000
<p>Spacer pin M3 x 27 and clamping screws M3 x 8 in set. For mounting the coupling to flat panels. 1 pack contains 80 screws and 40 spacer pins, separately packaged.</p> <p>ABST.BOLZM3X27+KLSC-KIT</p>	1	1766130000

Module extractor and strain relief tool



Coupling frame – sets



- Set consists of:
- 1 – 5 coupling frames
 - 1 right and 1 left mounting bracket

Technical data

C-MH/ZE

	Module extractor and strain relief tool
Insulation	PA
Color	black
Temperature range	-40 ... +120°C
Flammability class to UL 94	V-2

Ordering data

Type	Qty	Order No.
ModuFlex C-MH/ZE black	10	1752970000

Technical data

	Mounting bracket	Mounting foot
Insulation	PC	PA
Color	gray (RAL 7032)	orange
Temperature range	-40 ... +120°C	-40 ... +120°C
Flammability class to UL 94	V-0	V-2

Ordering data

Type	No. of coupling frames	Qty	Order No.
ModuFlex C-KITo.M.MW-1F	1	1	1765570000
ModuFlex C-KITo.M.MW-2F	2	1	1765580000
ModuFlex C-KITo.M.MW-3F	3	1	1765590000
ModuFlex C-KITo.M.MW-4F	4	1	1765600000
ModuFlex C-KITo.M.MW-5F	5	1	1765610000

Accessories

Type	Qty	Order No.
Crosshead screw for fastening the coupling to the mounting foot, to front and back panel and to a flat surface PTSC KB 30 x 6	100	1766120000
Spacer pin M3 x 27 and clamping screws M3 x 8 in set. For mounting the coupling to flat panels. 1 pack contains 80 screws and 40 spacer pins, separately packaged. ABST.BOLZM3X27+KLSC-KIT	1	1766130000

