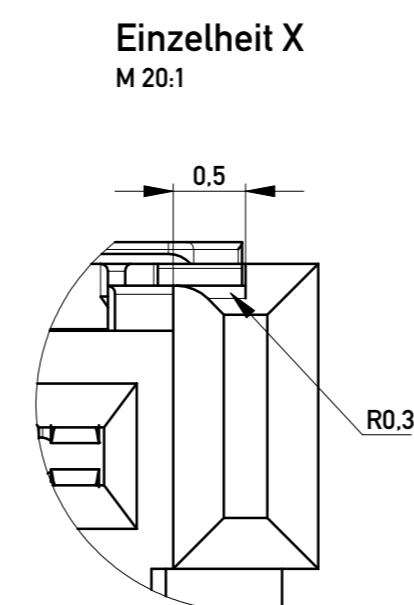
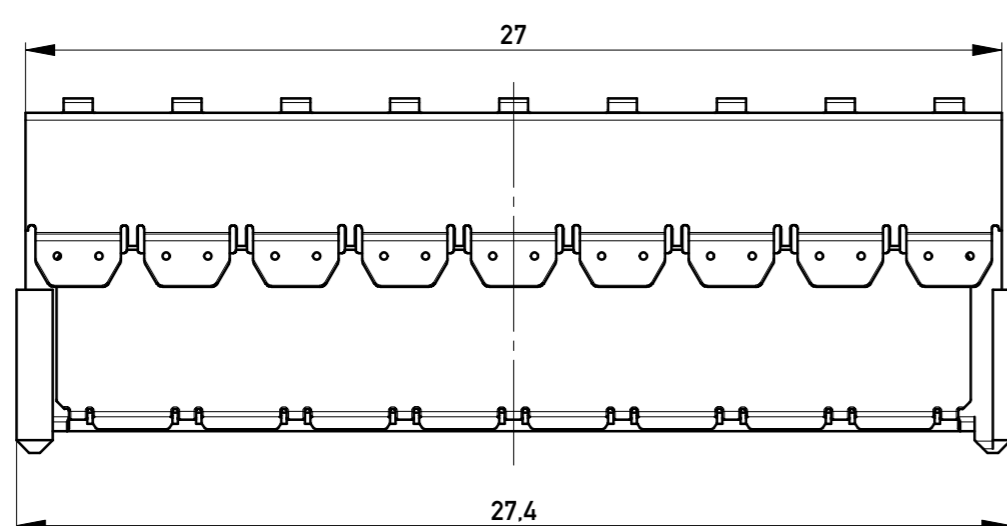
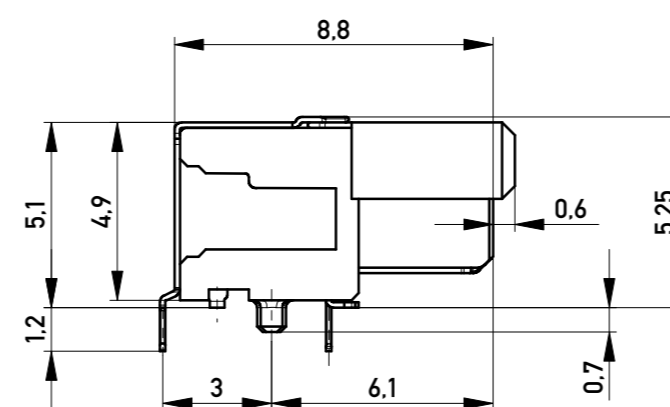
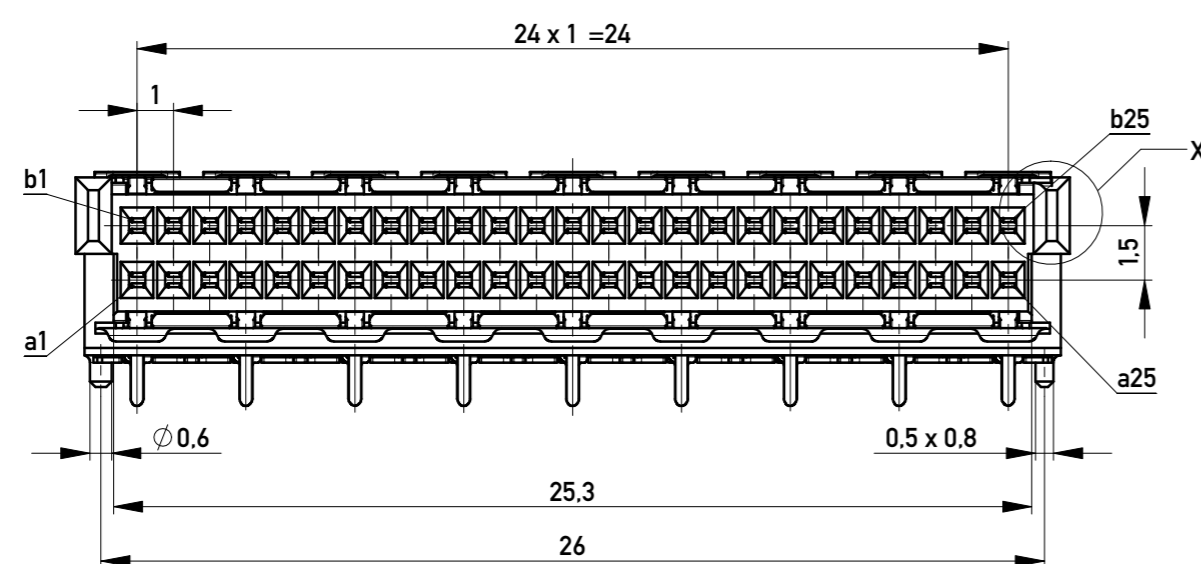
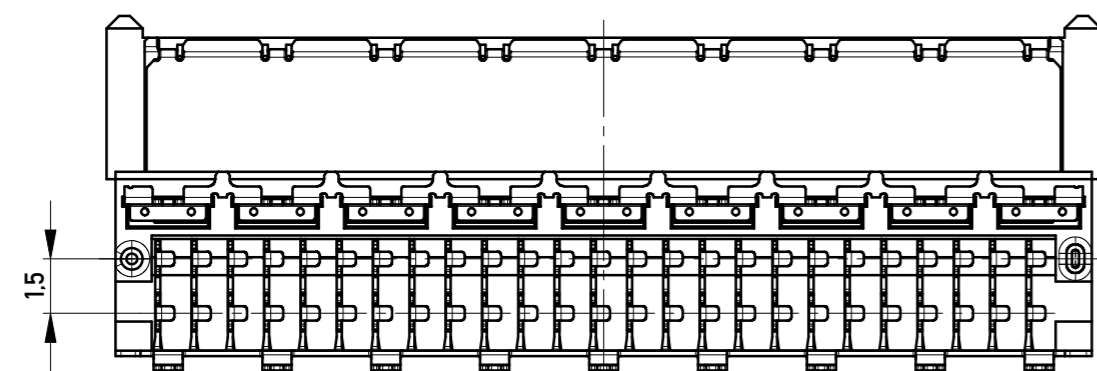
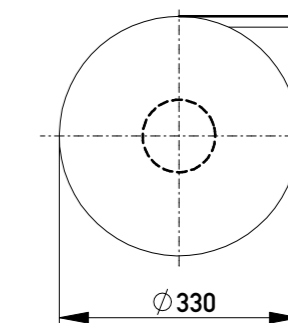
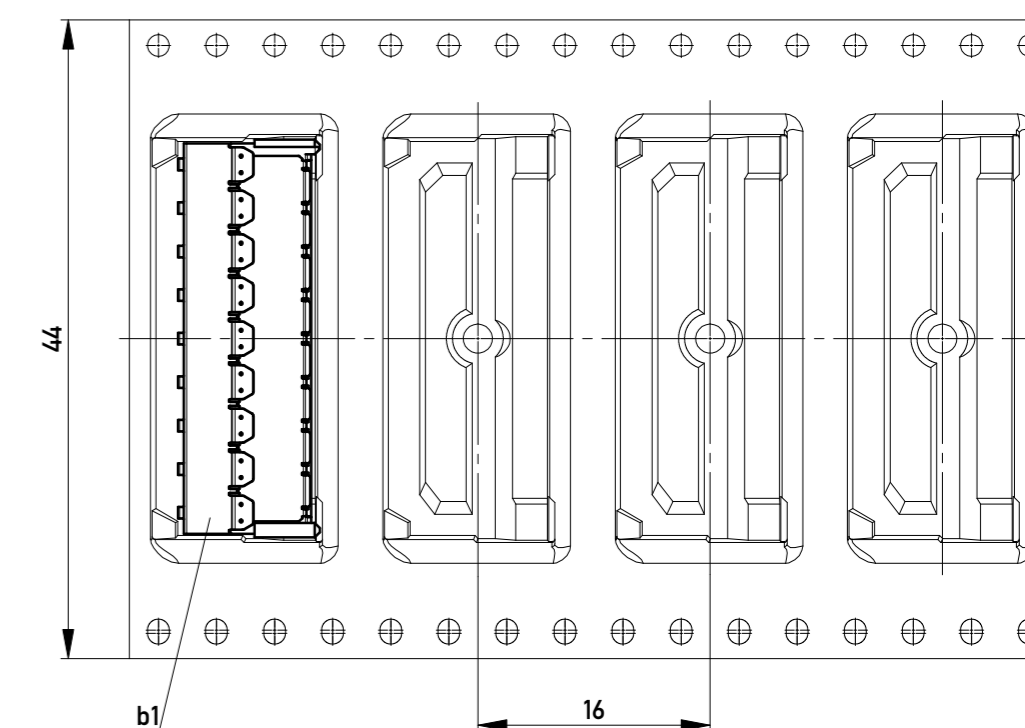


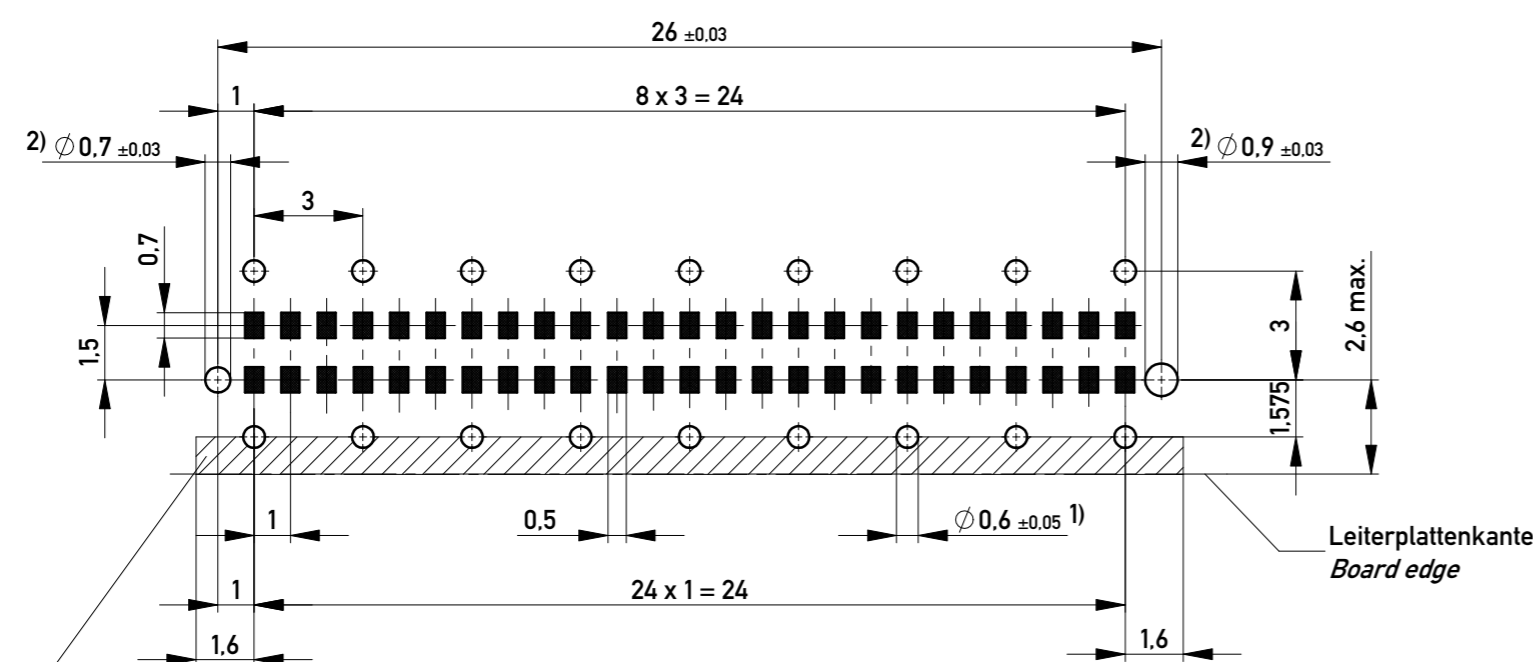
Verpackt im Gurt in Anlehnung an DIN IEC 60286-3
 Tape on Reel Packaging according to DIN IEC 60286-3
 Verpackungseinheit: 500 Stück
 Packaging unit: 500 pcs



Abspulrichtung - Reel off Direction



Leiterplatten-Layout Vorschlag / PCB-layout proposal



Schirmblechaufgabe berücksichtigen,
 keine Durchkontaktierungen oder Leitungen möglich!
 Consider shielding contact area, no via's or traces possible!

- 1) Fertigllochdurchmesser / Finished Via diameter
 2) Durchmesser des Bohrers / Drill tool

Anforderungsstufe 1
 Performance Level 1

Kontaktbereich vergoldet
 Mating Area gold plating

Anschlussbereich verzinkt 4-6 µm
 Terminal Area 4-6 µm tin plating

Koplanarität der Anschlüsse ≤ 0.1 mm
 Coplanarity Area of Termination ≤ 0.1 mm

Information:		Tolerances	Scale 5:1
All rights reserved. Only for Information. To ensure that this is the latest version of this drawing, please contact one of the ERNI companies before using.		All Dimensions in mm	Designation
Subject to modification without prior notice. Drawing will not be updated.		www.ERNI.com	Federl. 90° SMDTHR 50p. BM EMV Female 90° SMDTHR 50co. BM EMV
9	06.09.2016	374720	
Index	Date	Class MSPEED	

Copyright by ERNI Production GmbH & Co. KG
 Proprietary notice pursuant to ISO 16949 to be observed.