

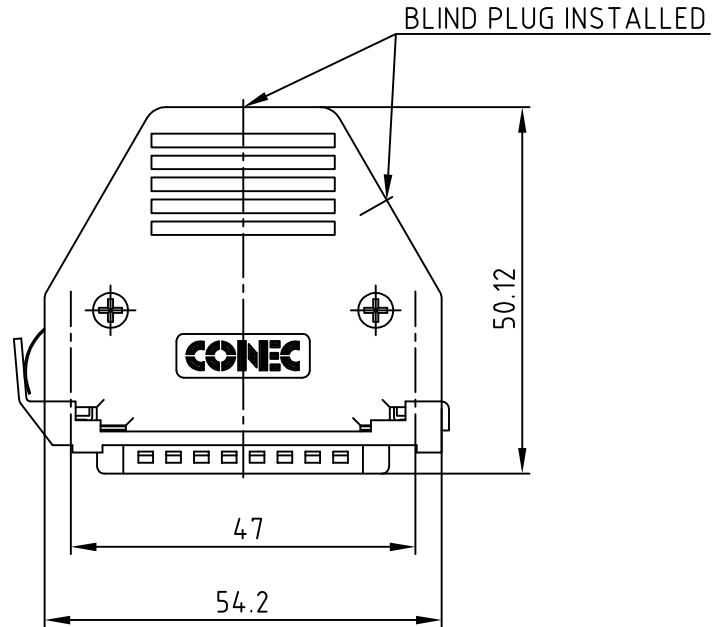
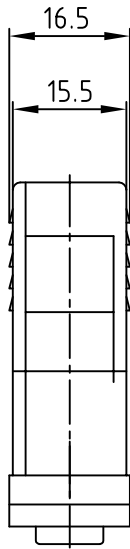
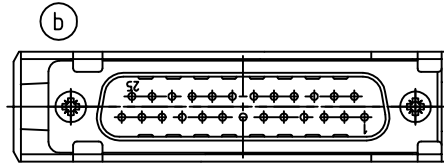
4

3

2

1

used for: D-SUB



NOTES:

1 x PLASTIC HOOD: 165X04559A

1 x CONNECTOR: 301A10059X

MATERIAL:

HOOD: ABS UL 94 V-0; BLACK

CONNECTOR: SEE DRAWING NO. 16K1A306A

SPRING: STEEL; TIN PLATED

SREWS: STEEL; NICKEL PLATED

SLIDE LOCK: STEEL; NICKEL PLATED

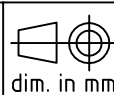
BLIND PLUG: ABS UL 94 V-0; BLACK

APPROVAL # FREIGABE # DEBLOCAGE # AUTORIZACION	
CUSTOMER APPROVAL DATE:	
NAME:	TITLE:
COMPANY NAME:	
APPROVAL # FREIGABE # DEBLOCAGE # AUTORIZACION	

THIS DRAWING MAY NOT BE COPIED OR
 REPRODUCED IN ANY WAY, AND MAY NOT
 BE PASSED ON TO A THIRD PARTY WITHOUT
 WRITTEN PERMISSION.
 OWNERSHIP AND COPYRIGHT OF CONEC GmbH
 DO NOT ALTER CAD DRAWING BY HAND

rev.	description	date	name
1x b	Ä3092	25.08.2008	Sonne
a	Origin		

tolerance



dim. in mm

2003	date	name
drawn	21.04.	Schmidt
appd.	21.04.	Kühle
norm		
d-old		

scale:

1:1

material:

SEE NOTES

title:

PLASTIC HOOD
 WITH D-SUB PLUG 25pos. SOLDER CUP
 with slide lock

dwg no:

AutoCAD 2004

DIN-A

16K1A1382

4

part no:

301X00759A

sh: 1/1

4

3

2

1