

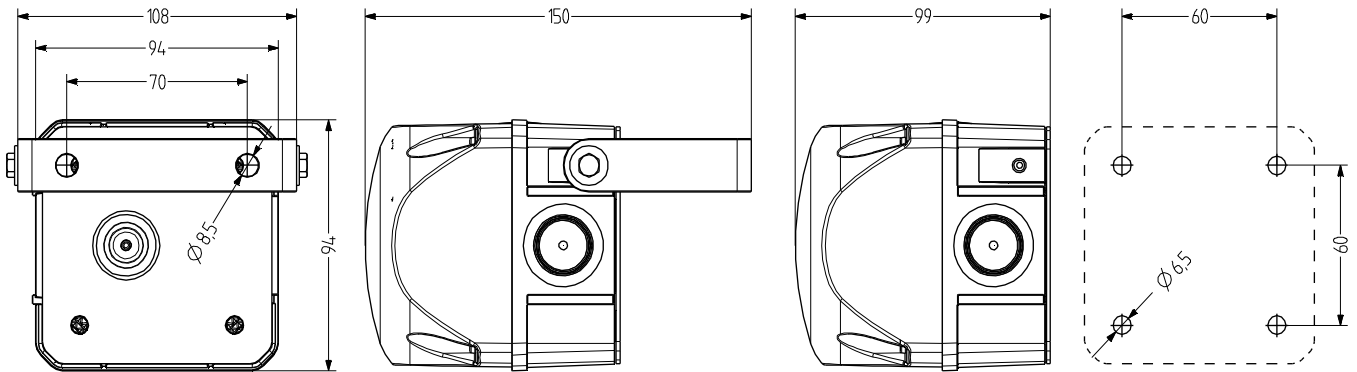
QBS LED multi strobe beacon

- 94 mm cubic-design LED multi-strobe beacon
- Very good frontal and lateral signalling effect
- Up to 64 cd luminous intensity
- High degree of protection IP 66 & impact resistance IK09

- Modern LED technology
- 4 different strobe patterns, can be switched externally
- For industrial and general applications
- Combinations of beacons and multi-tone alarm sounders possible



Internal diffuser and special lens pattern for optimal 360° signalling effect



TECHNICAL DATA

Housing	94 mm (square), Polycarbonate red (RAL 3000)
Lens	Polycarbonate, ribbed inside orange, red, clear, blue, green or yellow
Type of mounting	any
Cable entry	Back: Grommet 5-10 mm, optional side cable entry with cable gland (on both sides) (accessory type AKV)
Connection technology	Screw/plug-in terminal 2,5 mm ²
Leakage current	0,003 A (PLC-suitable)
Beacon type	LED multi strobe beacon

Light source	High Power LEDs
Strobe/flash frequency	Double strobe 1.4 Hz; 6× strobe 1.0 Hz; multi strobe
Duty cycle	100 %
Service life	Light source: >50.000 h
Operating temperature	-30°C/+60°C
Degree of protection	IP66 & UL Type 4/4x/13
Impact resistance	IK09
Weight	1,7 kg



QBS

ORDER DATA

Lens colour	Nominal voltage	Voltage range (V)	Nominal current (A)	Order number
orange	24-48 V AC/DC	19-60 V AC	0,420	874 171 408
		18-85 V DC		
red	24-48 V AC/DC	80-265	0,100	874 171 313
		110-240 V AC		
yellow	24-48 V AC/DC	19-60 V AC	0,300	874 172 408
		18-85 V DC		
	110-240 V AC	80-265	0,090	874 172 313
		110-240 V AC		
	24-48 V AC/DC	19-60 V AC	0,420	874 177 408
		18-85 V DC		
	110-240 V AC	80-265	0,100	874 177 313
		110-240 V AC		



AMK



AB1



AG1



AKV



AW1

ACCESSORIES

Type	Type of accessory	Weight	Order number
AMK	Mounting set for combining several pieces of signalling equipment of the same size	10 g	874 010 900
AB1	Mounting set for metal bracket for mounting in any direction (e.g. on mounting platforms)		874 031 900
AG1	Flat seal for correct IP66 installation on smooth surfaces		874 021 900
AKV	Cable gland M20x1,5		698 800 026
AW1	Stainless steel bracket		874 041 900



Strobe