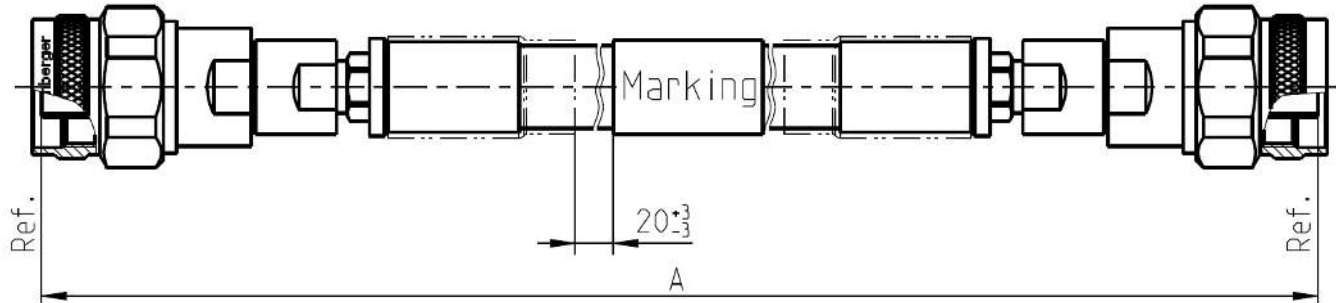


Technical Data Sheet

Rosenberger

Cable assembly
RPC-N Plug / Plug – RTK 162 – T1 Armour

LU7-096-XXX



All dimensions are in mm; tolerances ± 3 mm for $A \leq 300$ mm; $\pm 1\%$ for $A > 300$ mm

Available variants

Type	max. Insertion loss at 18 GHz	Marking	Weight (g) / pce
LU7-096-XXX	$\leq 0.00164 \text{ dB/mm} * A \text{ mm} + 0.5 \text{ dB}$	ROSENBERGER YYY-YY LU7-096-XXX FAC-RRRRRRR ssss	$0.263 \text{ g/mm} * A \text{ mm} + 105 \text{ g}$

XXX – length in mm = A
Standard lengths are 500, 1000, 1500 and 2000 mm

WW – week YYYY – year ssss – serial no. FAC – Factory Code RRRRRRR – lot nr.

Note: max. Insertion Loss:
First constant = Cable attenuation in dB /mm; Second Constant = Connector left and Connector right +needed Adaptor

Weight:
First constant = Cable- and Armour- weight per mm; Second Constant = Connector left and Connector right weight per pce

Assembly parts

Connector left	RPC-N plug	05S122-2U7S3
Connector right	RPC-N plug	05S122-2U7S3
Cable	RTK 162	
Armour	Polyurethane jacket over braid / stainless steel spiral	

Technical Data Sheet

Rosenberger

Cable assembly
RPC-N Plug / Plug – RTK 162 – T1 Armour

LU7-096-XXX

Electrical data

Impedance	50 Ω
Frequency	DC to 18 GHz
Return loss ¹	≥ 19 dB, DC to 18 GHz
Insertion loss ¹	see table available variants

Individual testing and documentation:
Measurement plot with all 4 S-Parameters (S11; S22; S21; S12) is included with the cable assembly and on the backside the care and handling instruction is printed. Measurement adaptors used are mentioned in the commentary field.

¹ Return Loss and Insertion Loss includes the measurement adaptor

Mechanical data

Minimum bend radius:	
Single	25.5 mm
Multiple	50.8 mm
Crush resistance	80N/mm

Environmental data

Temperature range	-40°C to +80°C
RoHS	compliant

While the information has been carefully compiled to the best of our knowledge, nothing is intended as representation or warranty on our part and no statement herein shall be construed as recommendation to infringe existing patents. In the effort to improve our products, we reserve the right to make changes judged to be necessary.

Draft	Date	Approved	Date	Rev.	Engineering change number	Name	Date
Ro. Neuhauser	28.04.15	Martin Moder	29.04.15	b00	15-s191	Maik Knoll	29.04.15

Rosenberger Hochfrequenztechnik GmbH & Co. KG P.O.Box 1260 D-84526 Tittmoning Germany www.rosenberger.de	Tel. : +49 8684 18-0 Email : info@rosenberger.de	Page 2 / 2
--	--	---------------