

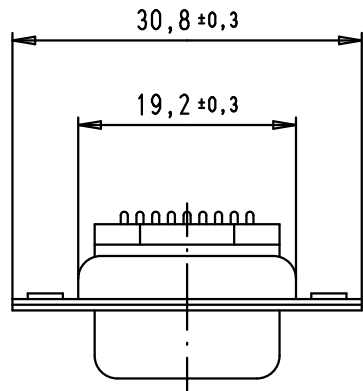
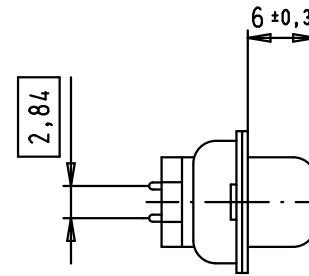
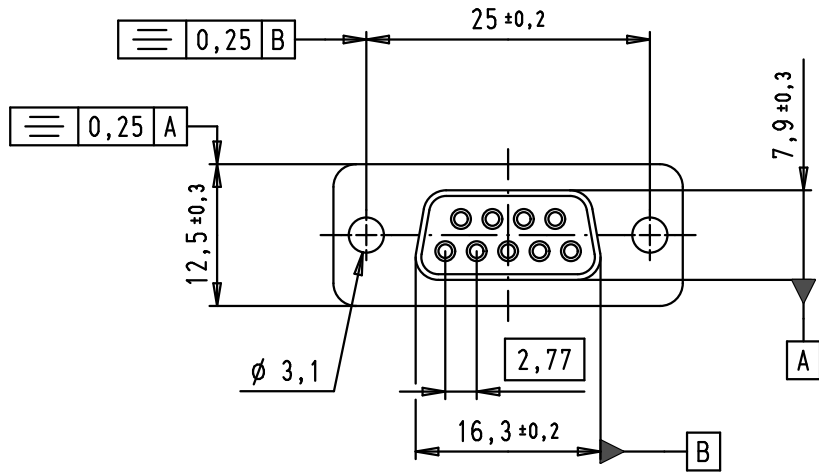
5

4

3

2

1



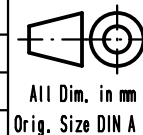
SPECIFICATIONS

FREQUENCY (MHz)	ATTENUATION (dB)
5	0,5
10	1
50	2,5
100	3
500	3,5
1000	4

Operating voltage < 250 V AC
 Working current < 7,5 A
 Insulation resistance > 1GΩ
 Contact resistance < 15 mΩ
 Dielectric withstanding voltage 500 V AC / minute

Solder bucket termination inner diameter: 1,20 mm

Mod.	Dat.	Name
	Detail.	11/06/09 PK
	Insp.	
	Stand.	
36160	22/09/10	SC
EC00332	11/06/09	PK
HARTING EURL F-95972 Paris		



All Dim. in mm
Orig. Size DIN A 4

D-Sub, female, straight,
9 poles, tin plated shell,
solder buckets,
ferrite filter

Maßstab/
Scale

1,5:1

Blatt/ Page

1 / 1

09 64 111 7800	PL3
Part number	Performance level

TB 09 64 111 7800

Sub.