

Bellows suction cups (round)

SFB1 10 NBR-ESD-55 M5-AG

Part no...:10.01.06.04788

<https://www.schmalz.com/10.01.06.04788>

Home > Vacuum Technology for Automation > Vacuum Components > Vacuum Suction Cups > Suction Cups for Plastic Films and Paper > Suction Cups SFF / SFB1 > SFB1 10 NBR-ESD-55 M5-AG

Bellows suction cup (round) for very uneven workpieces flexible workpieces



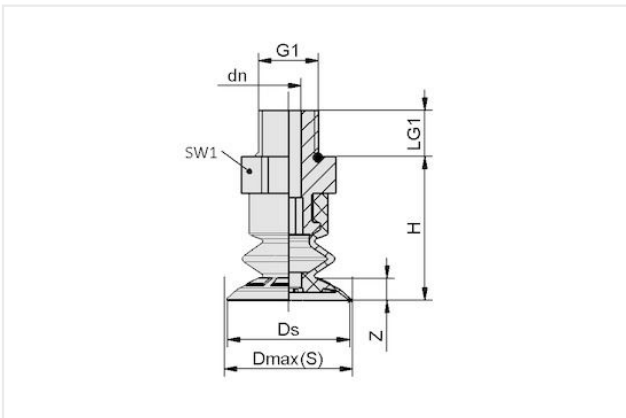
Size: 10

Suction cup material: Nitrile rubber NBR-ESD

Material hardness [Shore A]: 55 Shore A

Number of folds: 1.5

Design Data



Attribute	Value
G1	M5-M
Dmax(S)	11 mm
Ds	10 mm
dn	1.80 mm
LG1	4.70 mm
H	17.30 mm
SW1	8 mm
Z (Stroke)	2.50 mm

Technical Data

Attribute	Value
Size	10
Suction cup material	Nitrile rubber NBR-ESD
Suction force (-600mbar)	0.50 N
Product family	SFB1
Volume	0.30 cm ³
Number of folds	1.50
Material hardness [Shore A]	55 Shore A

Contact Schmalz

Schmalz Inc. | 5850 Oak Forest Drive, Raleigh, NC 27616, United States | +1 (919) 713-0880 | schmalz.us@schmalz.com

Bellows suction cups (round)

SFB1 10 NBR-ESD-55 M5-AG

Part no...:10.01.06.04788

<https://www.schmalz.com/10.01.06.04788>

Spare parts



SFB1 10 NBR-ESD-55 SC030

Part no...:10.01.06.04595

Size: 10

Suction cup material: Nitrile rubber NBR-ESD

Material hardness [Shore A]: 55 Shore A

Number of folds: 1.5



SC 030 M5-AG

Part no...:10.01.06.02802

Connection geometry: 030

Connection: M5-M

Length L1: 15.5 mm

Fitting length: 5 mm

Nominal diameter dn: 1.8 mm