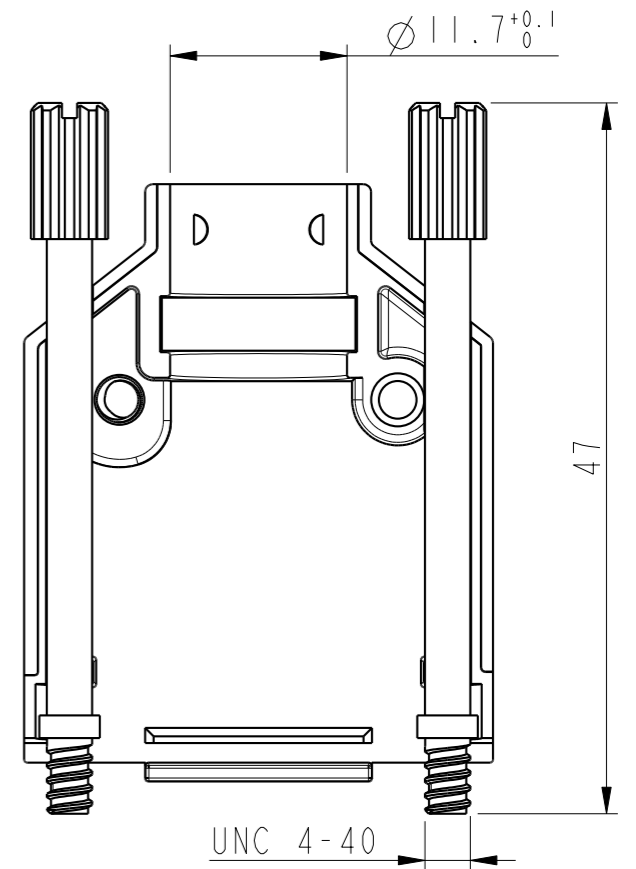
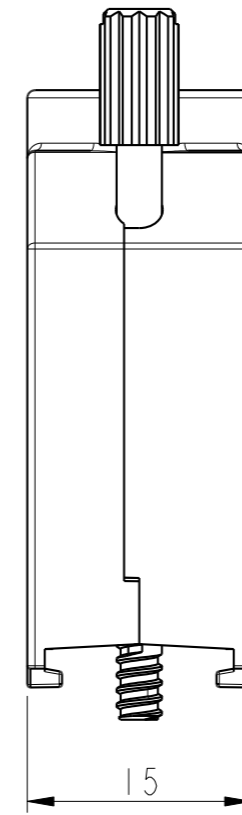
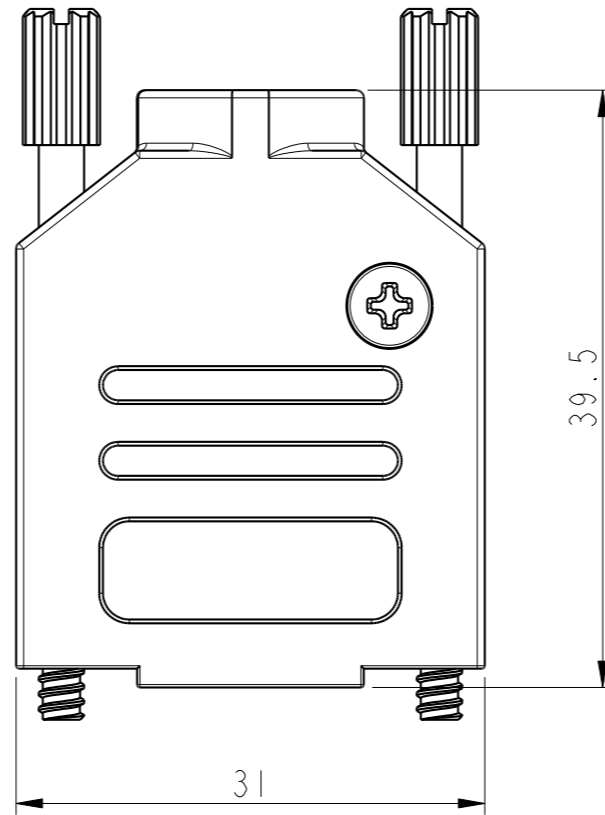
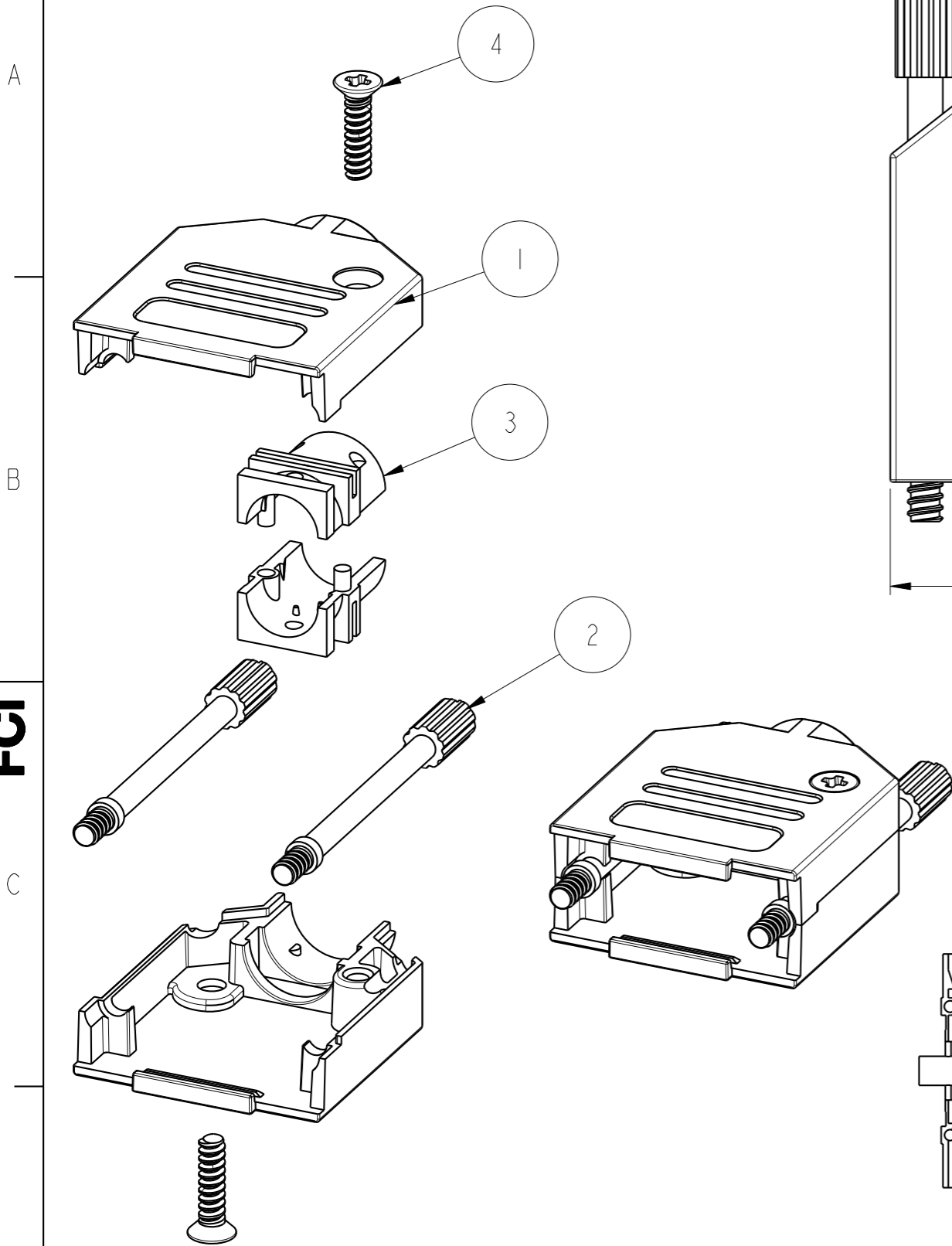
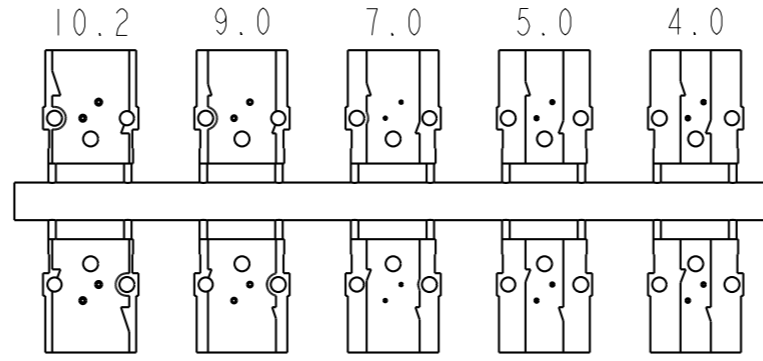


PART NUMBER	PACKAGING	HOOD SIZE
8655AMETIAIKLF	KIT 50 PARTS / CARTON BOX	09



NOTES: (FOR EVERY SIZES)
 1- OPERATING TEMPERATURE: -40°C TO +120°C
 2- INDIVIDUAL KITS SEALED IN PLASTIC COVER
 IN UNASSEMBLED FORM.
 BOM AS SHOWN IN TABLE

RoHS INFORMATION:
 - THE LF PRODUCT MEETS EUROPEAN UNION DIRECTIVES AND OTHER COUNTRY REGULATIONS AS DESCRIBED IN GS+22-009
 - THE PRODUCT IS NOT INTENDED TO BE EXPOSED TO A MANUFACTURING SOLDER PROCESS



GROMMET SET

ITEM NO.	QTY.	PART DESCRIPTION
1	2	COVER SIZE 09
2	2	UNC 4-40x47 JACKSCREW
3	1	GROMMET SET
4	2	M3x12 COUNTERSUNK SCREW

spec ref	-	dr	Dipu Joseph	2020/02/13	projection	mm	size	A3	scale	1:1		
tolerance std	ISO 406 ISO 1101	eng	Laurent Mulin	2021/10/28			ecn no	ELX-F-42727-1				
surface	linear	chr	-	apppr			Wollin, Severi	2021/10/28	product family	rel level	Released	
	angular	Amphenol FCI			title	DSUB METAL HOOD			dwg no	8655AMxxIAIKLF	rev	B
ISO 1302	0.X ±0.15 0.XX ±0.10 0.XXX ±0.005 0° ±0.30°	cat. no.	Product - Customer Drw			sheet 1 of 5						

Creo File:ELX-WC-A3C.REV F.2020-12-21

PART NUMBER	PACKAGING	HOOD SIZE
8655AMATIAIKLF	KIT 50 PARTS / CARTON BOX	15

A

B

C

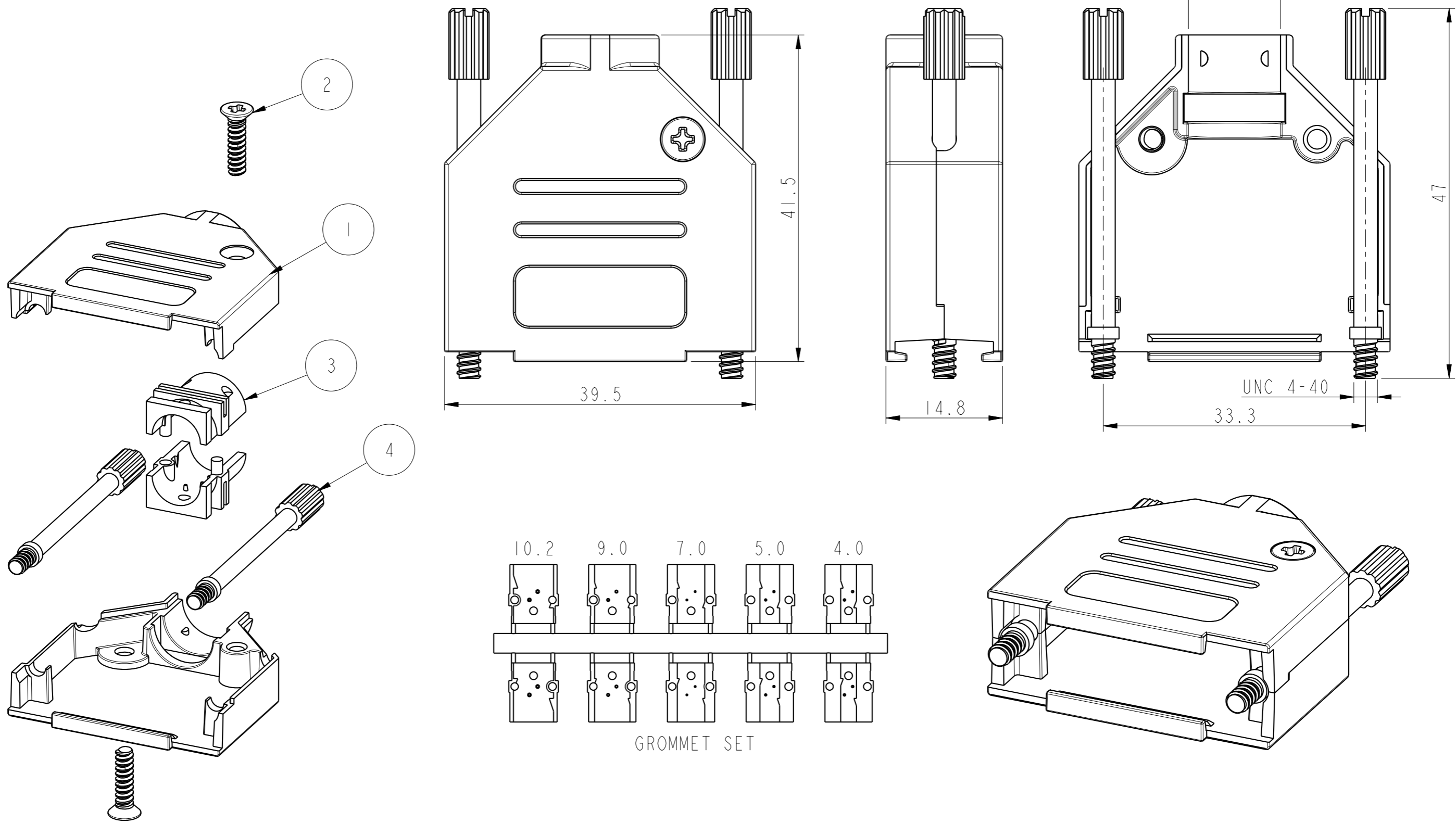
D

A

B

C

D

Amphenol
FCi

© 2020 Amphenol Corporation

ITEM NO.	QTY.	PART DESCRIPTION
1	2	COVER SIZE 15
2	2	M3x12 COUNTERSUNK SCREW
3	1	GROMMET SET
4	2	UNC 4-40x47 JACKSCREW

spec ref	-
tolerance std	ISO 406 ISO 1101
surface	ISO 1302
linear	0.X ±0.15 0.XX ±0.10 0.XXX ±0.005
angular	0° ±0.30°

dr	Dipu Joseph	2020/02/13
eng	Laurent Mulin	2021/10/28
chr	-	-
appr	Wollin, Severi	2021/10/28

projection	mm	size	A3	scale	1:1
product family		ecn no	ELX-F-42727-1	rel level	Released
title	DSUB METAL HOOD		dwg no	8655AMx1A1IKLF	rev
cat. no.	Product - Customer Drw		sheet 2 of 5		

Creo File:ELX-WC-A3C_REV F_2020-12-21

1

2

3

4

PDS: Rev :B

STATUS:Released

Printed: Nov 04, 2021

PART NUMBER	PACKAGING	HOOD SIZE
8655AMBTIAIKLF	KIT 50 PARTS / CARTON BOX	25

A

B

C

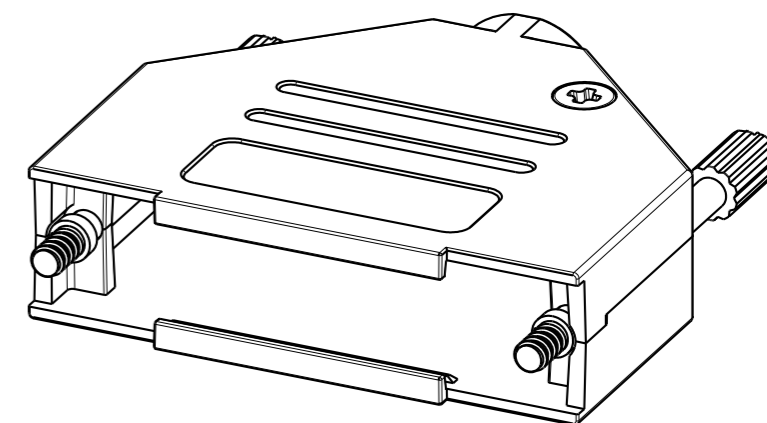
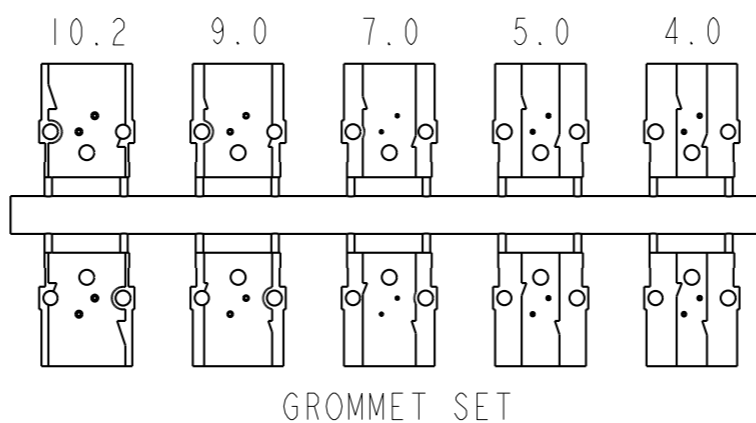
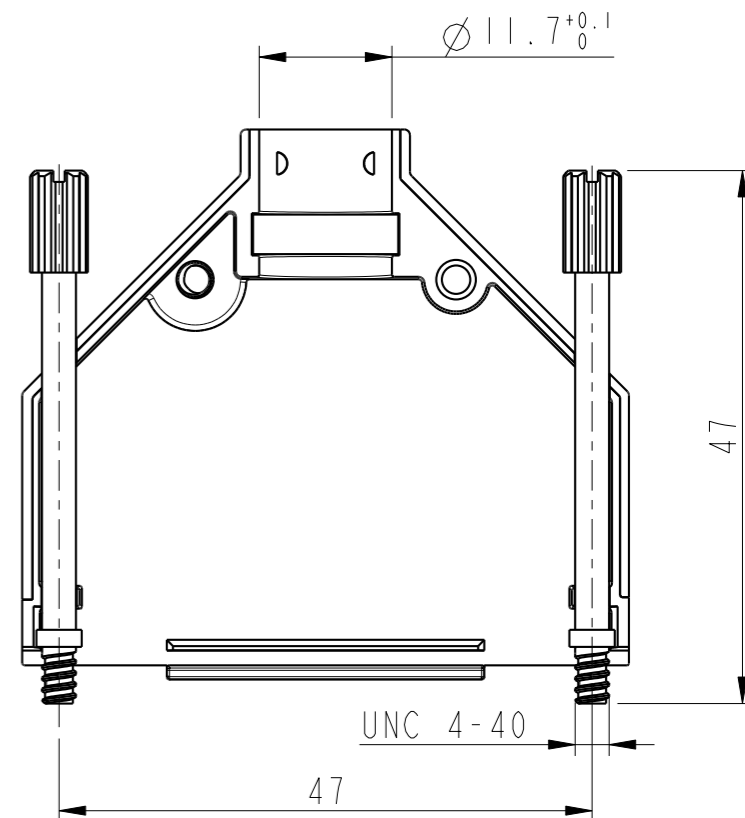
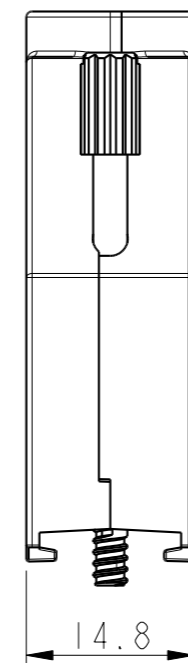
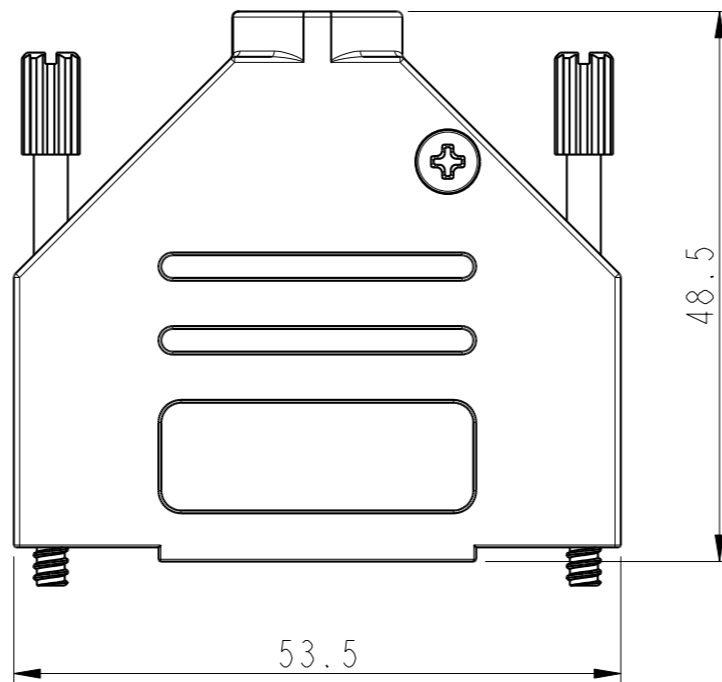
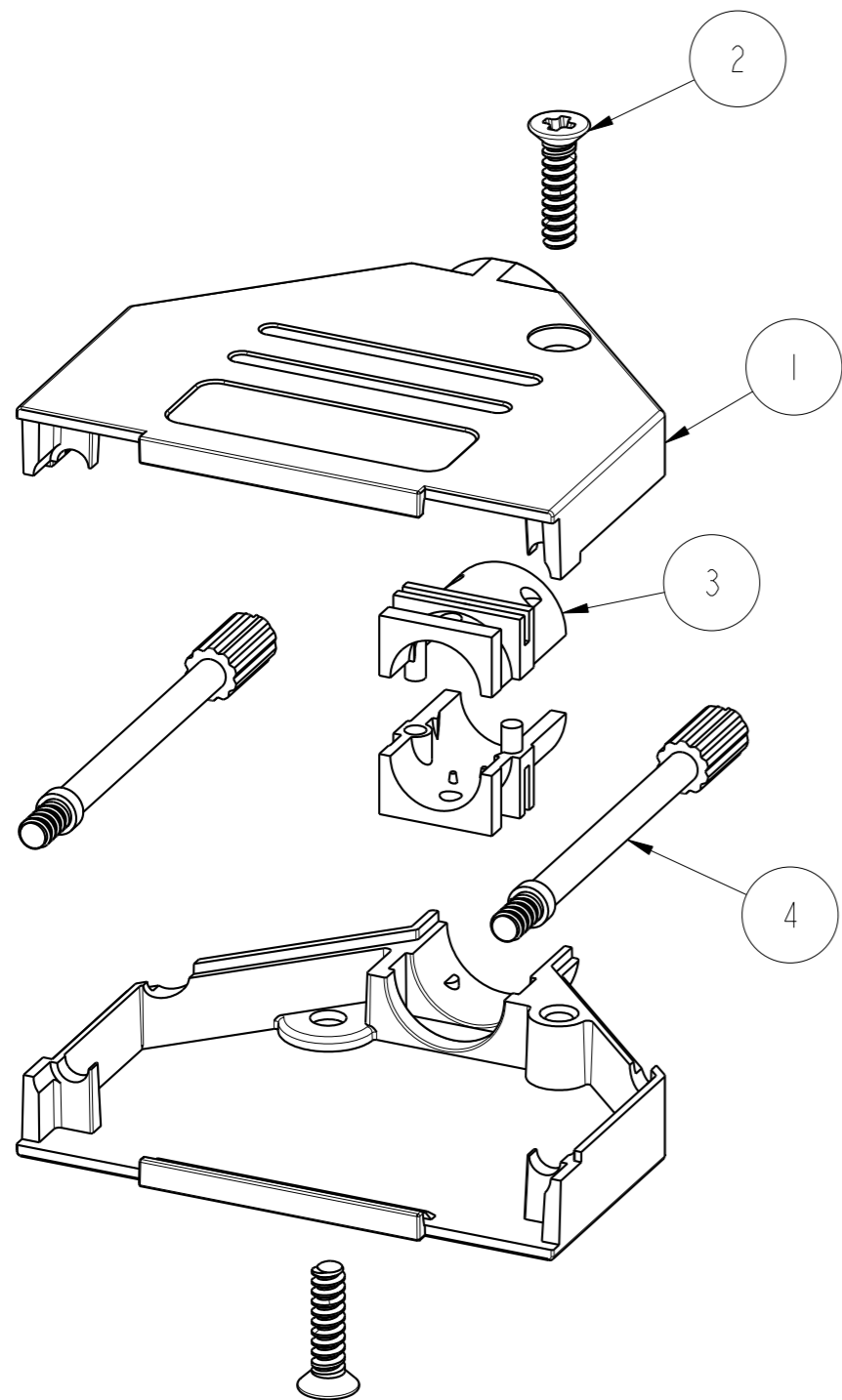
D

A

B

C

D

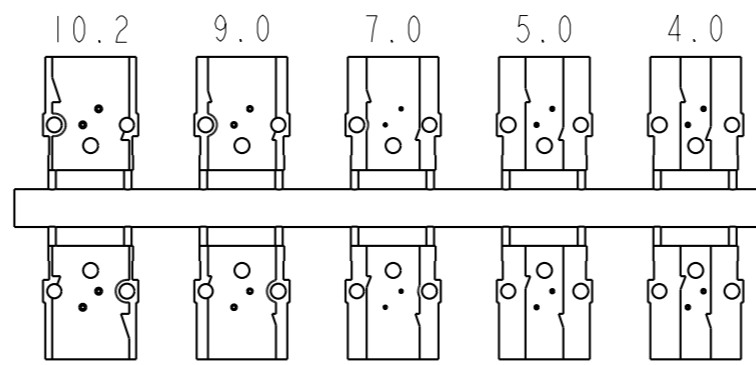
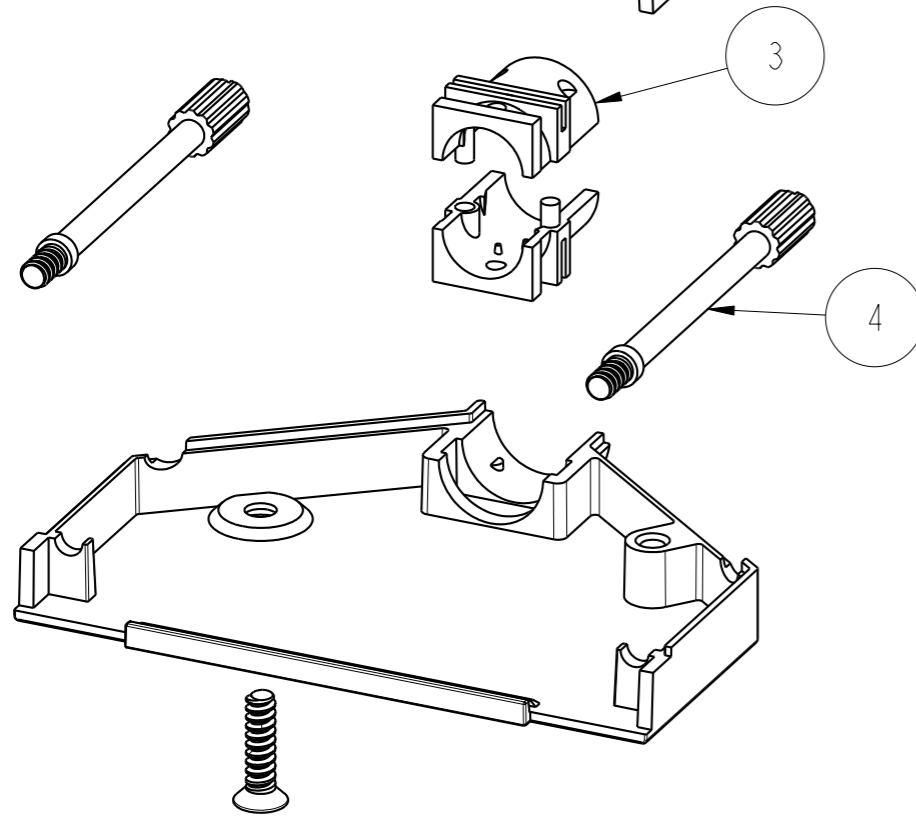
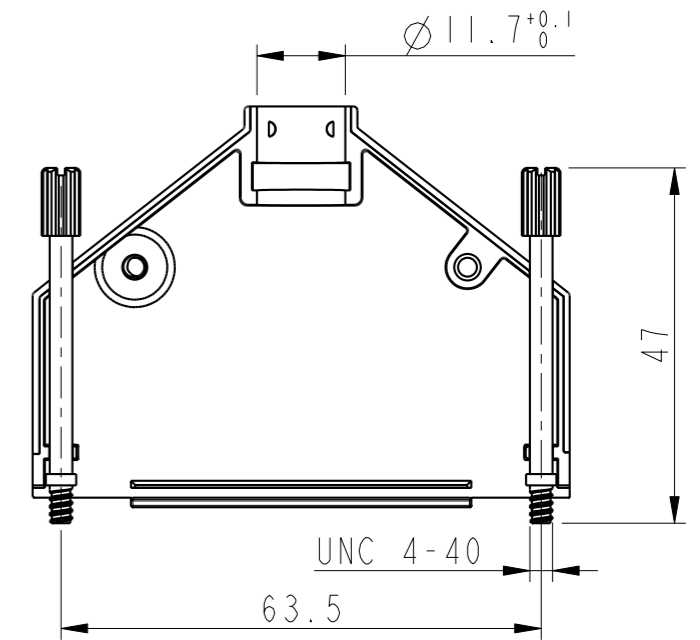
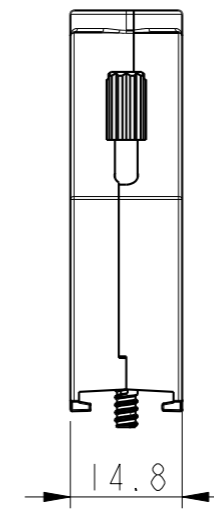
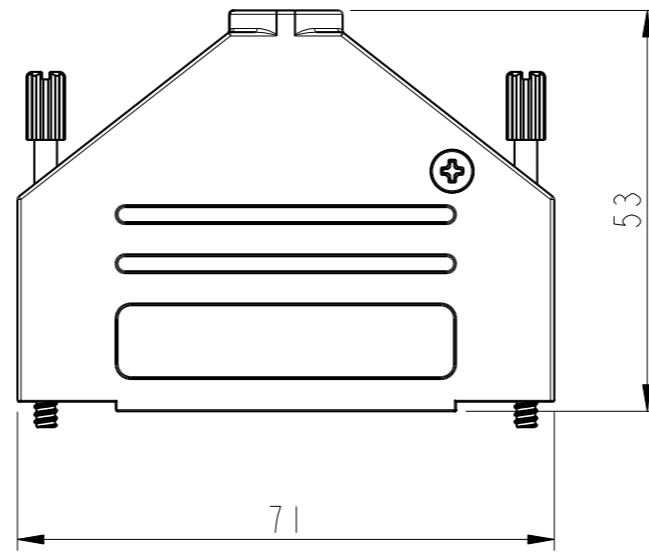
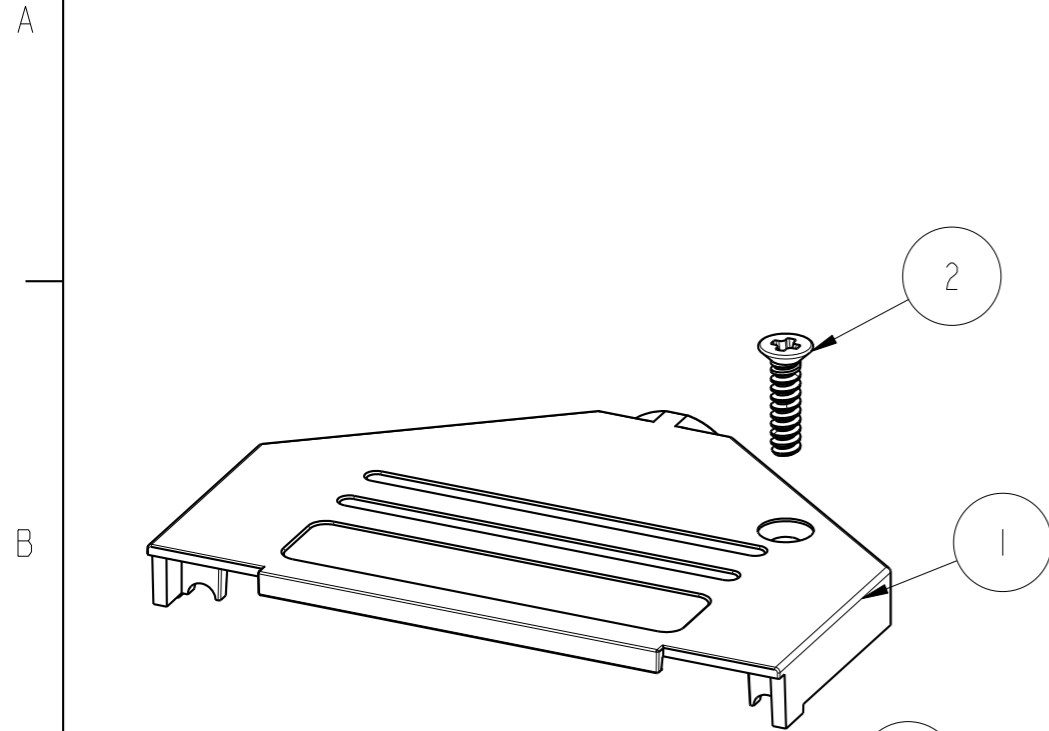


ITEM NO.	QTY.	PART DESCRIPTION
1	2	COVER SIZE 25
2	2	M3x12 COUNTERSUNK SCREW
3	1	GROMMET SET
4	2	UNC 4-40x47 JACKSCREW

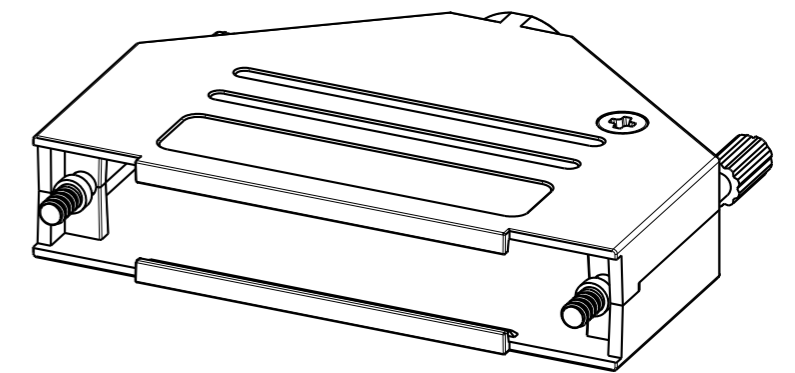
spec ref	-	dr	Dipu Joseph	2020/02/13
tolerance std	ISO 406 ISO 1101	eng	Laurent Mulin	2021/10/28
surface	linear	0.X	±0.15	
		0.XX	±0.10	
		0.XXX	±0.005	
ISO 1302	angular	0°	±0.30°	

chr	-	projection		size	A3	scale	1:1
appr	Wollin, Severi	2021/10/28	product family	ecn no	ELX-F-42727-1		
Amphenol FCI				rel level	Released		
				title	DSUB METAL HOOD		dwg no
cat. no.	Product - Customer Drw			rev	B		
				sheet 3 of 5			

PART NUMBER	PACKAGING	HOOD SIZE
8655AMCTIAI1KLF	KIT 50 PARTS / CARTON BOX	37



GROMMET SET



ITEM NO.	QTY.	PART DESCRIPTION
1	2	COVER SIZE 37
2	2	M3x12 COUNTERSUNK SCREW
3	1	GROMMET SET
4	2	UNC 4-40x47 JACKSCREW

spec ref	-
tolerance std	ISO 406 ISO 1101
surface	linear
ISO 1302	angular

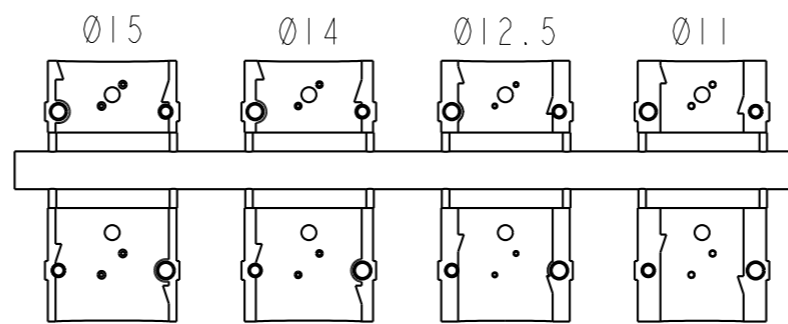
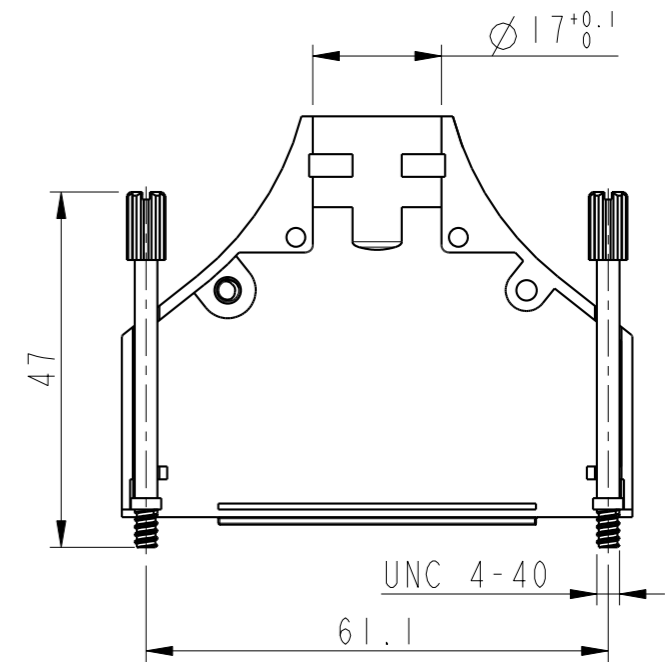
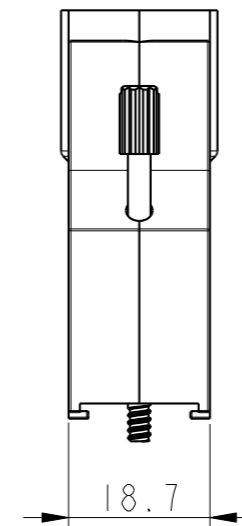
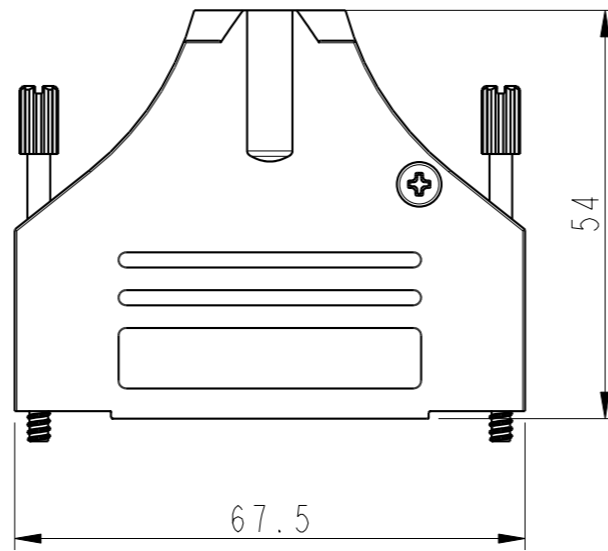
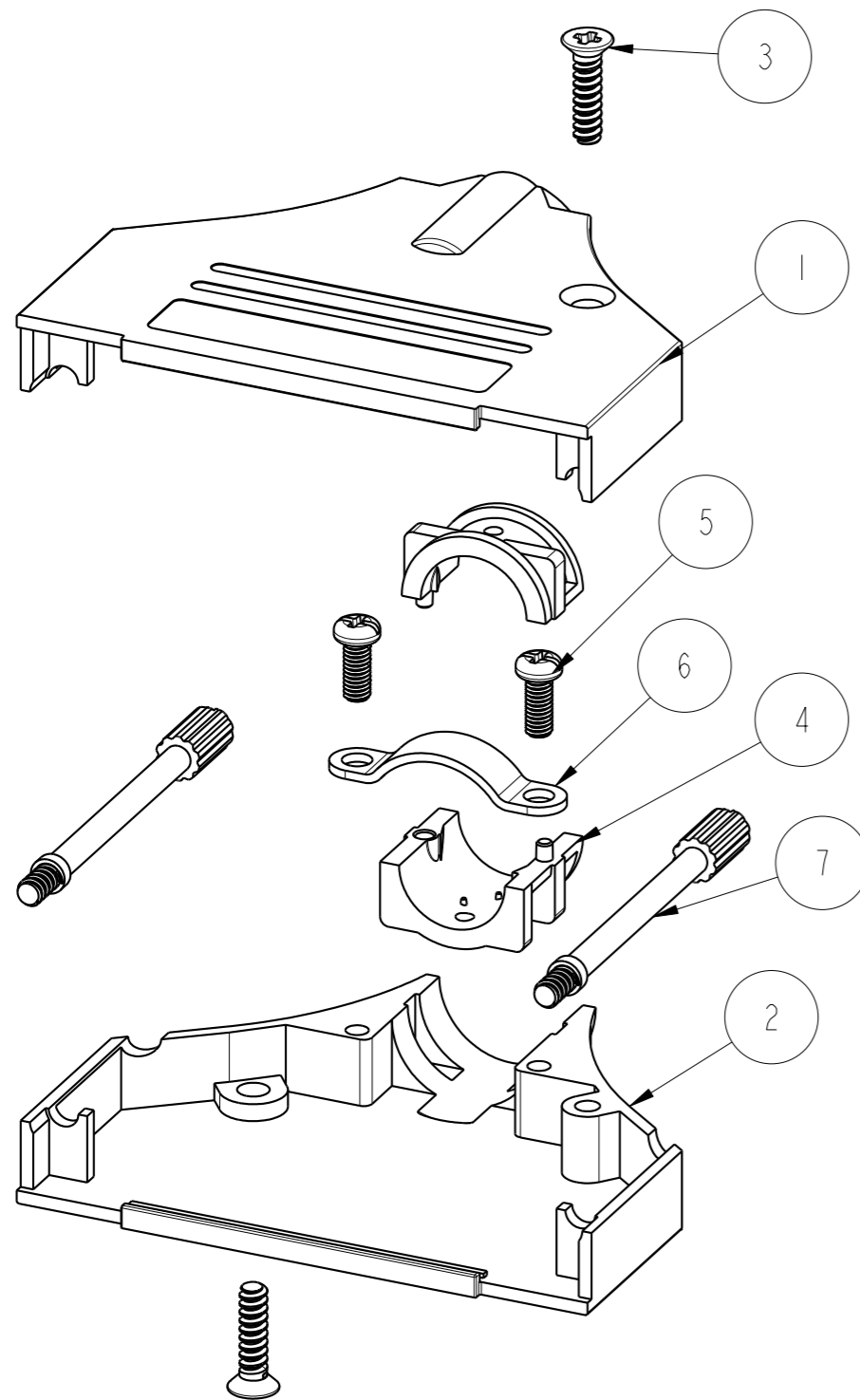
TOLERANCES UNLESS OTHERWISE SPECIFIED		
0.X	±0.15	
0.XX	±0.10	
0.XXX	±0.005	
0°	±0.30°	

dr	Dipu Joseph	2020/02/13
eng	Laurent Mulin	2021/10/28
chr	-	-
appr	Wollin, Severi	2021/10/28

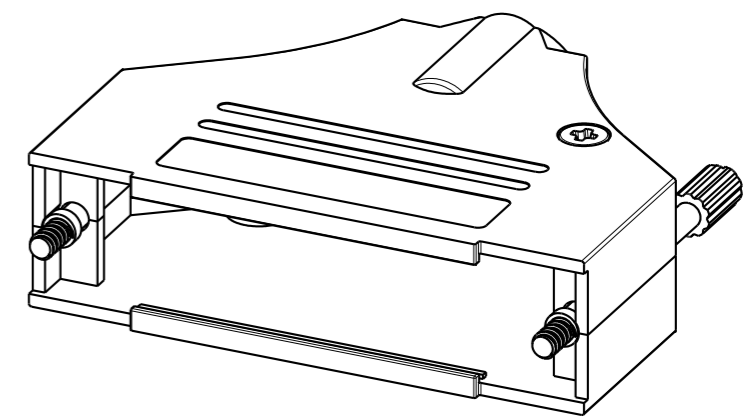


projection	mm	size	A3	scale	1:1
product family		ecn no	ELX-F-42727-1		
rel level	Released				
title	DSUB METAL HOOD		dwg no	8655AMxxIAI1KLF	
cat. no.	Product - Customer Drw			rev	B
			sheet 4 of 5		

PART NUMBER	PACKAGING	HOOD SIZE
8655AMDTIAI1KLF	KIT 50 PARTS / CARTON BOX	50



GROMMET SET



ITEM NO.	QTY.	PART DESCRIPTION
1	1	UPPER COVER SIZE 50
2	1	LOWER COVER SIZE 50
3	2	M3x12 COUNTERSUNK SCREW
4	1	GROMMET SET
5	2	M3x8 POSL SCREW
6	1	CABLE CLAMP
7	2	UNC 4-40x47 JACKSCREW

spec ref	-	dr	Dipu Joseph	2020/02/13	projection	mm	size	A3	scale	1:1		
tolerance std	ISO 406 ISO 1101	eng	Laurent Mulin	2021/10/28			ecn no	ELX-F-42727-1				
TOLERANCES UNLESS OTHERWISE SPECIFIED		chr	-	appr			Wollin, Severi	2021/10/28	product family	rel level Released		
surface	linear	0.X	±0.15		title		DSUB METAL HOOD			dwg no 8655AMxxIAI1KLF	rev	B
		0.XX	±0.10		cat. no.		-				Product - Customer Drw	sheet 5 of 5
	angular	0°	±0.30°		PDS: Rev :B		STATUS:Released		Printed: Nov 04, 2021			

Creo File:ELX-WC-A3C_REV F_2020-12-21