

284743-1 ✓ ACTIVE

AMP | MQS

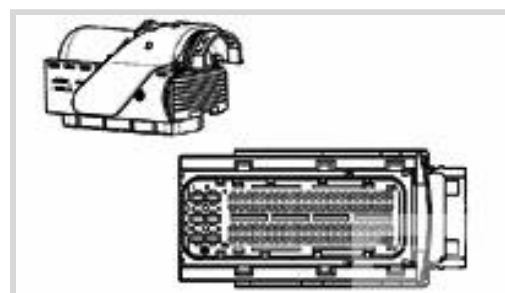
TE Internal #: 284743-1

Housing for Female Terminals, Wire-to-Board, 94 Position, .098 in / .205 in [5.2 mm / 2.5 mm] Centerline, Sealable, Black, Wire & Cable, MQS

[View on TE.com >](#)



Connectors > Automotive Connectors > Automotive Housings > MQS, CONNECTOR HOUSING



Connector & Housing Type: **Housing for Female Terminals**

Mating Tab Width: .63 mm, 1.5 mm, 2.8 mm [.025 in, .06 in, .11 in]

Connector System: **Wire-to-Board**

Number of Positions: **94**

Centerline (Pitch): 2.5 mm, 5.2 mm [.098 in, .205 in]

[All MQS, CONNECTOR HOUSING \(571\)](#)

Features

Product Type Features

Connector Shape	Rectangular
Connector & Housing Type	Housing for Female Terminals
Connector System	Wire-to-Board
Sealable	Yes
Hybrid Connector	Yes
Primary Locking Feature	Integrated in Housing
Connector & Contact Terminates To	Wire & Cable

Configuration Features

Number of Positions	94
Number of Rows	4

Electrical Characteristics

Operating Voltage	24 VDC
Nominal Voltage Architecture	12 V, 24 V

Body Features

Cable Exit Angle	90°
Primary Product Color	Black



Contact Features

Contact Size	.64mm, 1.5mm, 2.8K
Contact Type	Receptacle
Mating Tab Width	.63 mm, 1.5 mm, 2.8 mm [.025 in][.06 in][.11 in]
Contact Current Rating (Max)	3.5 A, 6 A, 7.5 A, 11 A, 14 A, 20 A

Mechanical Attachment

Terminal Position Assurance	Yes
Strain Relief	Without
Mating Alignment Type	Polarization Slot
Mating Alignment	With
Connector Mounting Type	Cable Mount (Free-Hanging)

Housing Features

Housing Material	PA GF
Centerline (Pitch)	2.5 mm, 5.2 mm [.098 in][.205 in]

Dimensions

Connector Height	74.3 mm [2.925 in]
Product Width	46 mm [1.811 in]
Product Length	97 mm [3.819 in]
Row-to-Row Spacing	5 mm [.197 in]

Usage Conditions

Operating Temperature (Max)	120 °C [257 °F]
Operating Temperature Range	-40 – 125 °C [-40 – 257 °F]

Operation/Application

Circuit Application	Power & Signal
---------------------	----------------

Packaging Features

Packaging Method	Box
------------------	-----

Other

Serviceable	Yes
Connector Position Assurance Capable	Yes

Product Compliance

For compliance documentation, visit the product page on [TE.com](https://www.te.com)>

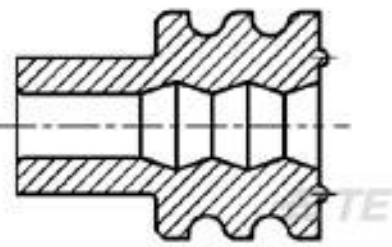




EU RoHS Directive 2011/65/EU	Compliant
EU ELV Directive 2000/53/EC	Compliant
China RoHS 2 Directive MIIT Order No 32, 2016	No Restricted Materials Above Threshold
EU REACH Regulation (EC) No. 1907/2006	Current ECHA Candidate List: JUNE 2023 (235) Candidate List Declared Against: JUNE 2023 (235) Does not contain REACH SVHC
Halogen Content	BFR/CFR/PVC Free, but Br/Cl >900 ppm in other sources.
Solder Process Capability	Not applicable for solder process capability

Product Compliance Disclaimer

This information is provided based on reasonable inquiry of our suppliers and represents our current actual knowledge based on the information they provided. This information is subject to change. The part numbers that TE has identified as EU RoHS compliant have a maximum concentration of 0.1% by weight in homogenous materials for lead, hexavalent chromium, mercury, PBB, PBDE, DBP, BBP, DEHP, DIBP, and 0.01% for cadmium, or qualify for an exemption to these limits as defined in the Annexes of Directive 2011/65/EU (RoHS2). Finished electrical and electronic equipment products will be CE marked as required by Directive 2011/65/EU. Components may not be CE marked. Additionally, the part numbers that TE has identified as EU ELV compliant have a maximum concentration of 0.1% by weight in homogenous materials for lead, hexavalent chromium, and mercury, and 0.01% for cadmium, or qualify for an exemption to these limits as defined in the Annexes of Directive 2000/53/EC (ELV). Regarding the REACH Regulation, the information TE provides on SVHC in articles for this part number is based on the latest European Chemicals Agency (ECHA) 'Guidance on requirements for substances in articles' posted at this URL: <https://echa.europa.eu/guidance-documents/guidance-on-reach>

Compatible Parts

 <p>TE Part # 828922-1 2,5MM CAVITY PLUG FOR 5,4MM DI</p>	 <p>TE Part # 963293-1 SEALING F JPT+2,8</p>	 <p>TE Part # 963292-1 WIRE SEALING 2,2</p>	 <p>TE Part # 963294-1 SINGLE WIRE SEAL INSULATION DI</p>
 <p>TE Part # CAT-AM705-T273 AMP MCP, RECEPTACLE AND TAB</p>	 <p>TE Part # CAT-M8793-T273 MQS, RECEPTACLE AND TAB</p>	 <p>TE Part # 1394872-1 SEALING PLUG 1,5MM</p>	 <p>TE Part # 284583-1 CAVITY PLUG FOR 64 POS CONNECT</p>



TE Part # 2-1355125-1
MQS AUFNAHMEGEH 94P



TE Part # 5-284871-2
MULTIPLE CAVITY MASK FOR 94 POS. CONN.



TE Part # 5-284871-3
94POS,MQS CB,CAVITY BLOCK, COLOR BLACK



TE Part # 2-284871-5
MULTIPLE CAVITY PLUG 94W



TE Part # 2-284871-7
MULTIPLE CAVITY MASK FOR 94 POS. CONN.



TE Part # 2-284871-9
MULTIPLE CAVITY MASK FOR 94 POS. CONN.



TE Part # 5-284871-0
94POS,MQS CB,CAVITY BLOCK, COLOR BLUE



TE Part # 5-284871-1
94POS,MQS CB,CAVITY BLOCK, COLOR BLACK



TE Part # 284617-1
154pos hybrid MQS .63 header 90deg slid.



TE Part # 1-284871-2
MULTIPLE CAVITY PLUG 94W



TE Part # 284871-3
MULTIPLE CAVITY PLUG 94W



TE Part # 284871-6
MULTIPLE CAVITY MASK 94 WAYS

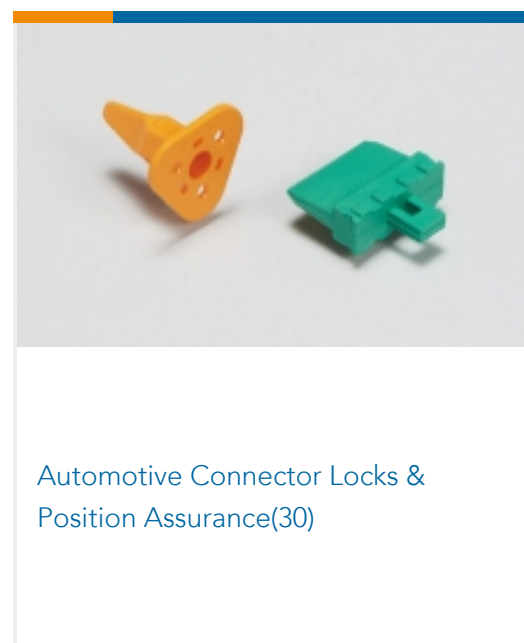
Also in the Series | MQS



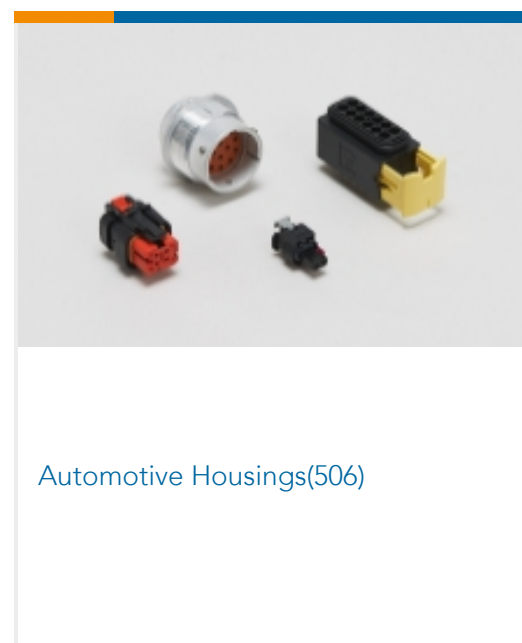
Automotive Connector Caps & Covers (138)



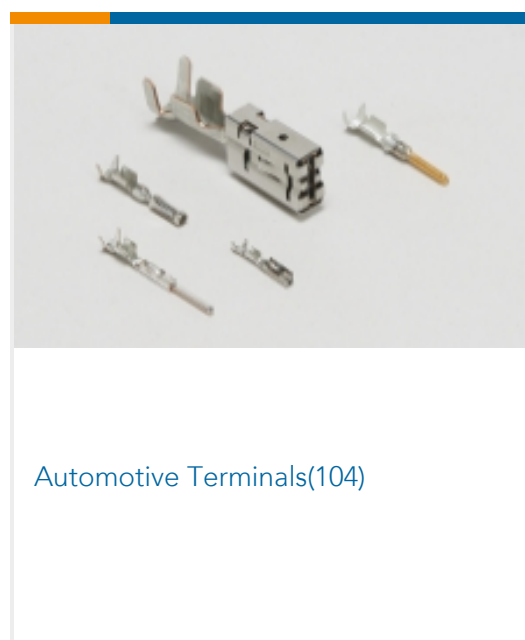
Automotive Connector EMC Shielding (3)



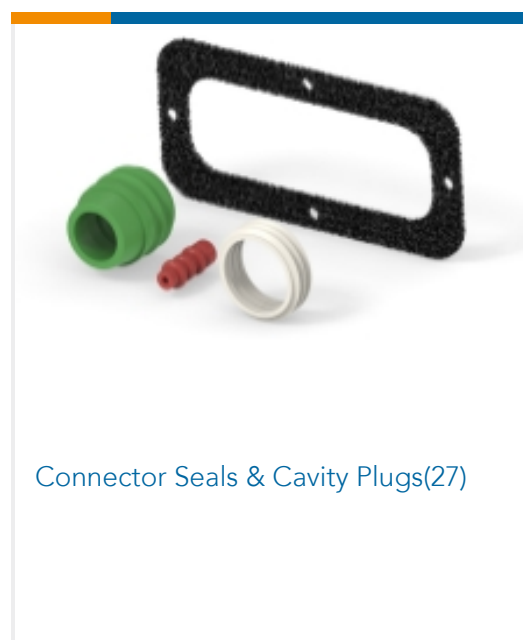
Automotive Connector Locks & Position Assurance(30)



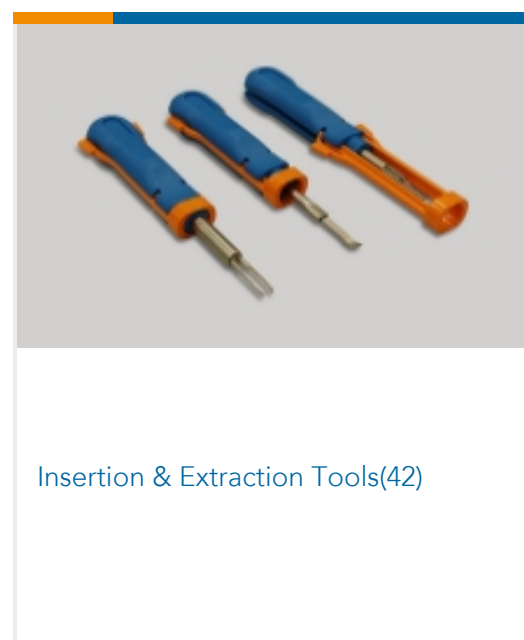
Automotive Housings(506)



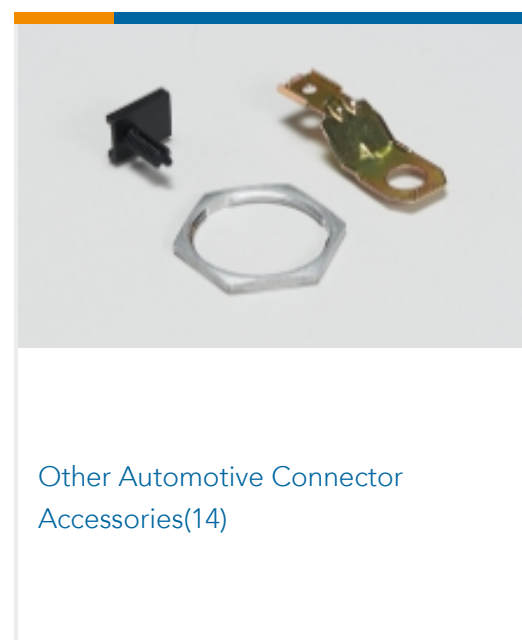
Automotive Terminals(104)



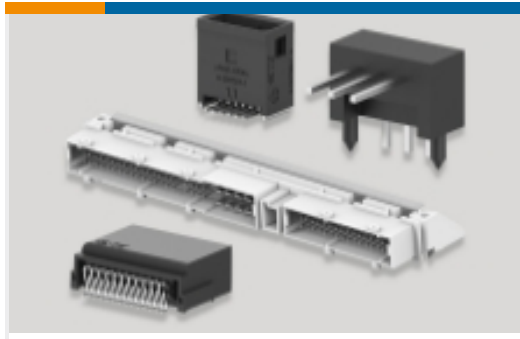
Connector Seals & Cavity Plugs(27)



Insertion & Extraction Tools(42)

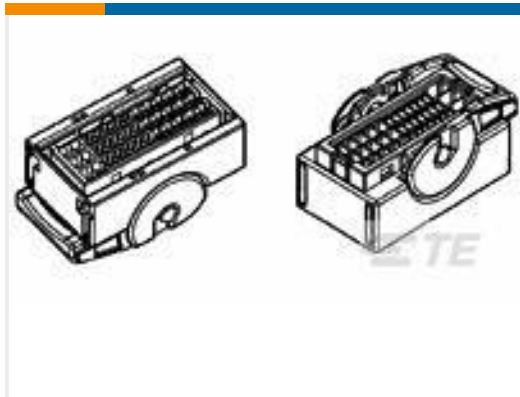


Other Automotive Connector Accessories(14)



PCB Headers & Receptacles(214)

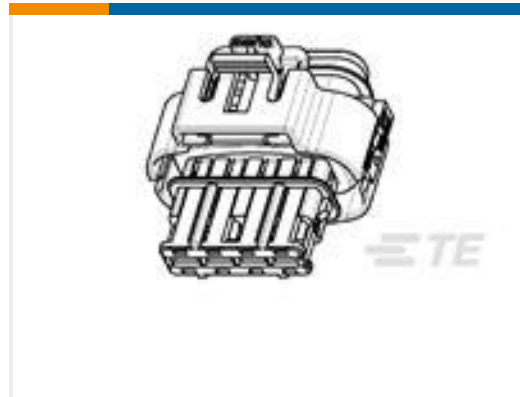
Customers Also Bought



TE Part #1743089-2
LIF HYB 39P PLUG ASSY BLK



TE Part #2066034-2
2.8MM SLD 2P PLUG ASSEMBLY



TE Part #1480968-1
ASSY 4 POSN. 2,8MM REC.



TE Part #2-880490-2
FUSE CONTACT - BUS



TE Part #2-880492-2
FUSE CONTACT - BUS



TE Part #1203559-2
FUSE BASE MODULE(FR)



TE Part #1203559-3
EXTERNAL RELAY BASE(FR)



TE Part #2819196-9
3 W ABS CABLE ASSY MBB 7.000



TE Part #3-880490-2
FUSE CONTACT - BUS



TE Part #936661-2
LEVER HSG FOR SHIELD 94P(B)

Documents

Product Drawings

[94POS MIXED MQS REC SEALED](#)

English

CAD Files

[Customer View Model](#)

[ENG_CVM_CVM_284743-1_E.2d_dxf.zip](#)

English

[3D PDF](#)



3D

Customer View Model

[ENG_CVM_CVM_284743-1_E.3d_igs.zip](#)

English

Customer View Model

[ENG_CVM_CVM_284743-1_E.3d_stp.zip](#)

English

By downloading the CAD file I accept and agree to the [Terms and Conditions](#) of use.

Datasheets & Catalog Pages

[Micro Quadlok Interconnection System \(MQS\)](#)

English

Product Specifications

[Product Specification](#)

English

Product Environmental Compliance

[Product Compliance](#)

English

[Product Compliance](#)

English

Instruction Sheets

[Instruction Sheet \(non U.S.\)](#)

English