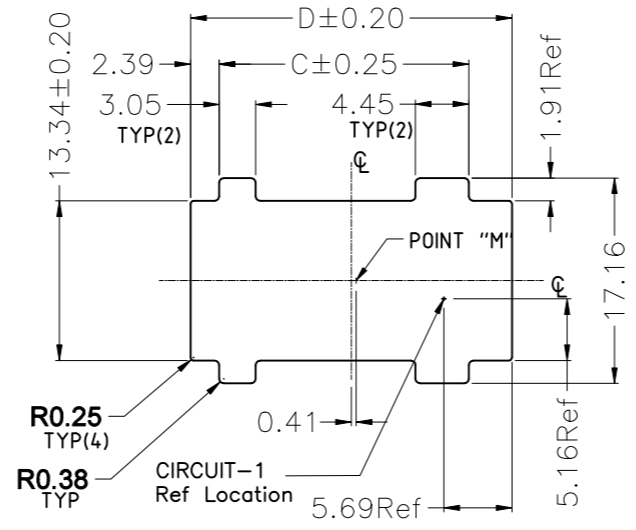
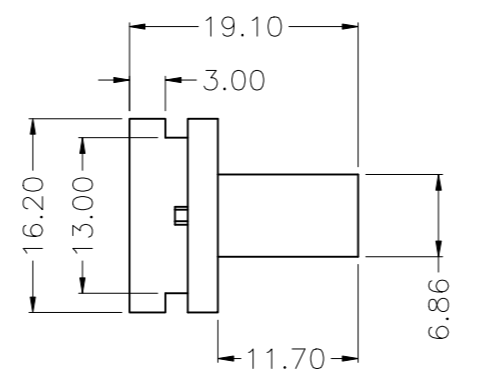
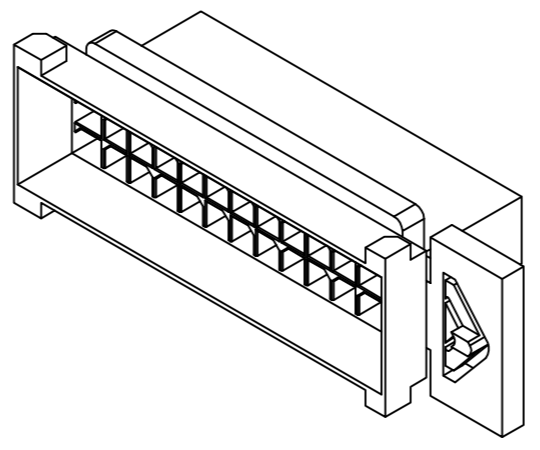
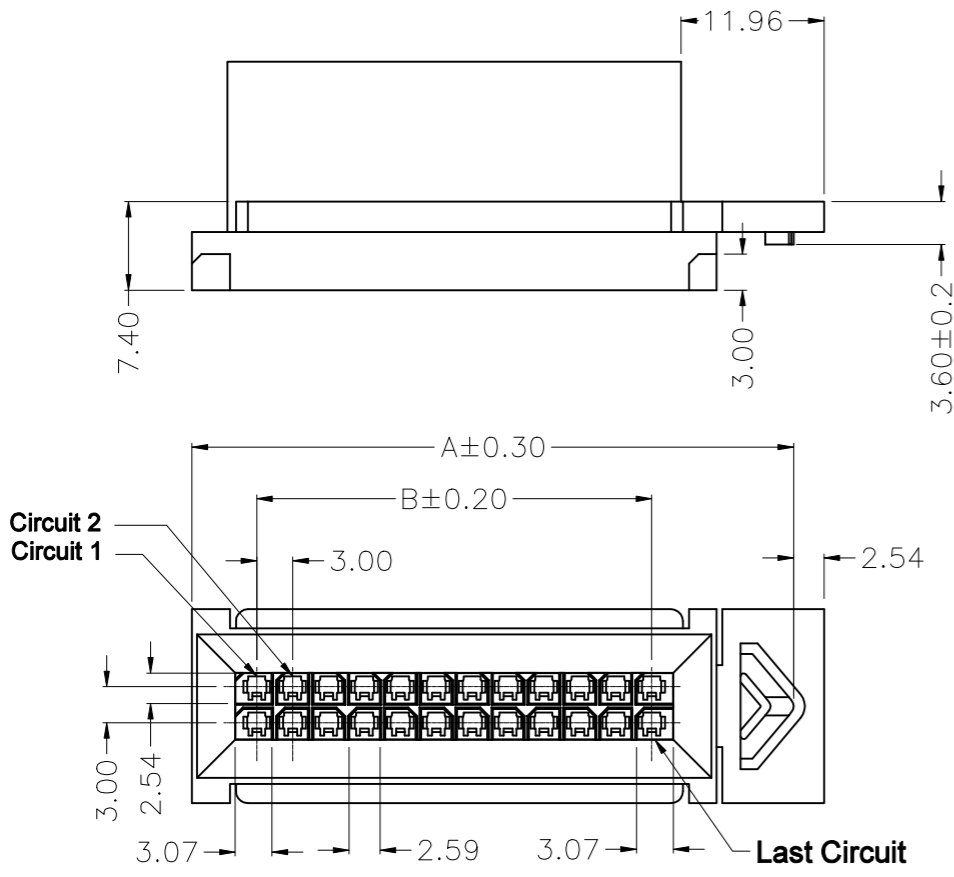


Amphenol FCI  
 © 2016 AFCI



RECOMMENDED PANEL CUT-OUT  
 THICK: 1.27mmMin/1.57mmMax  
 General Tolerance ±0.05

- NOTE:
- MATERIAL:  
HOUSING: NYLON 66, HALOGEN FREE  
UL94V-0, COLOR: BLACK
  - REFER GS-20-0399 APPLICATION SPECIFICATION FOR MATING CONNECTOR.
  - PRODUCT SPECIFICATION: GS-12-1177.
  - PACKAGE SPECIFICATION: GS-14-2359 (BULK PACKED)
  - APPLICATION SPECIFICATION: GS-20-0399.
  - LEAD FREE PRODUCTS MEET EUROPEAN UNION DIRECTIVES AND OTHER COUNTRY REGULATIONS AS DESCRIBED IN GS-47-0004
  - PART NUMBER SCHEME:  
10160855-XX X LF  
 POS. CODE: XX X LF  
 04: 4 POS.  
 06: 6 POS.  
 24: 24 POS.  
 LEAD FREE  
 GLOW WIRE COMPATIBLE:  
 G: COMPATIBLE

PART NUMBER	POS	Dimensions(mm)			
		A	B	C	D
10160855-04XLF	4	20.3	3.00	14.85	20.85
10160855-06XLF	6	23.3	6.00	17.85	23.85
10160855-08XLF	8	26.3	9.00	20.85	26.85
10160855-10XLF	10	29.3	12.00	23.85	29.85
10160855-12XLF	12	32.3	15.00	26.85	32.85
10160855-14XLF	14	35.3	18.00	29.85	35.85
10160855-16XLF	16	38.3	21.00	32.85	38.85
10160855-18XLF	18	41.3	24.00	35.85	41.85
10160855-20XLF	20	44.3	27.00	38.85	44.85
10160855-22XLF	22	47.3	30.00	41.85	47.85
10160855-24XLF	24	50.3	33.00	44.85	50.85

mat'l. code				surface ISO 1302 ✓		tolerance ISO 406 ISO 1101		projection		product family MINITEK PWR 3.0			
ltr ecn no dr date				tolerances unless otherwise specified		angles linear		mm		title			
A SONY 2020-10-28				.0±.30		0°±x'		scale N.T.S		MINITEK PWR 3.0 BMI DUAL ROW PLUG HSG			
B ELX-I-43588 ASLAM 2022-01-21				.00±.20						sheet 1 of 2 size A3			
				.000±.10						10160855			
										type Product Customer Drawing			
sheet index		revision sheet		B 1		B 2							



© 2016 AFCl

Amphenol  
FCI

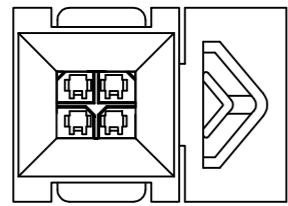
1

2 3

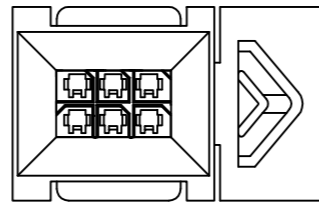
4

5

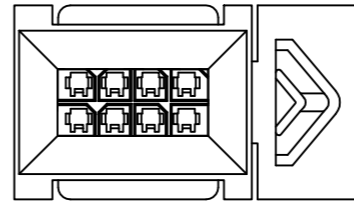
6



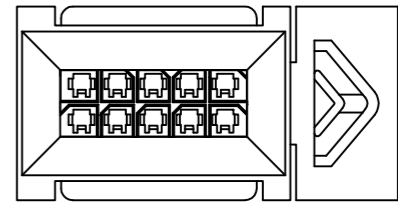
4POS



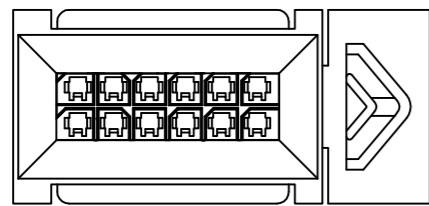
6POS



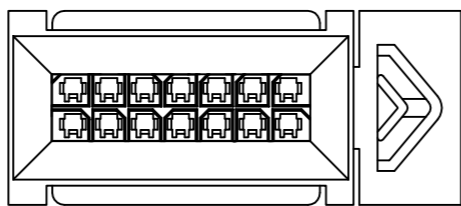
8POS



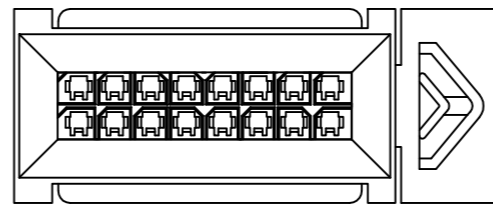
10POS



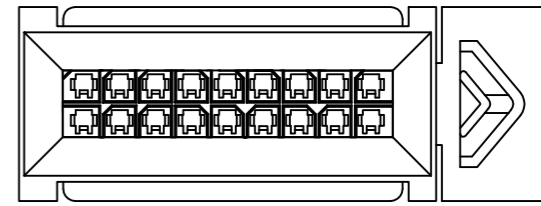
12POS



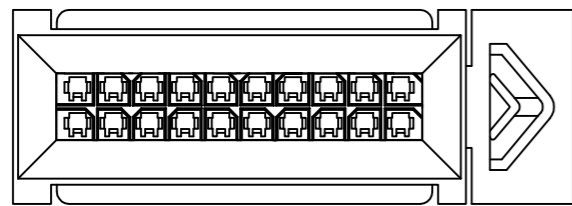
14POS



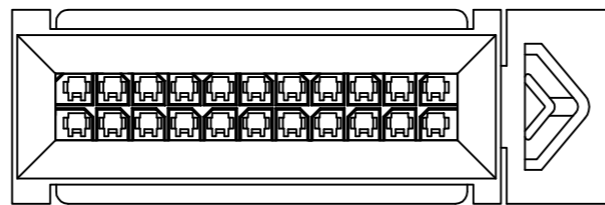
16POS



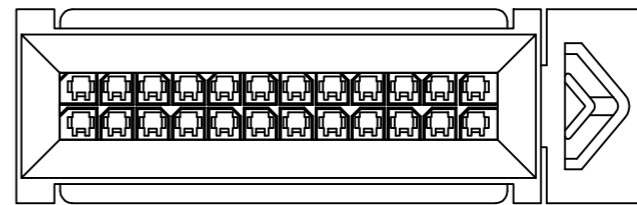
18POS



20POS



22POS



24POS

mat'l. code		surface <input checked="" type="checkbox"/> ISO 1302		tolerance <input checked="" type="checkbox"/> ISO 406 <input type="checkbox"/> ISO 1101		projection		product family MINITEK PWR 3.0			
ltr	ecn no	dr	date	tolerances unless otherwise specified				title			
				angles	linear	mm		MINITEK PWR 3.0 BMI DUAL ROW PLUG HSG			
				0°±x'		scale N.T.S		sheet 2 of 2 size			
				dr	SONY	2020-10-28		10160855		A3	
				engr	AKHIL RAJAN	2022-01-21		type Product Customer Drawing			
				chr	MITHUN PAUL	2022-01-21					
				appd	SPK	2022-01-21					
sheet index	revision sheet	B 1	B 2								

1

2

3

6