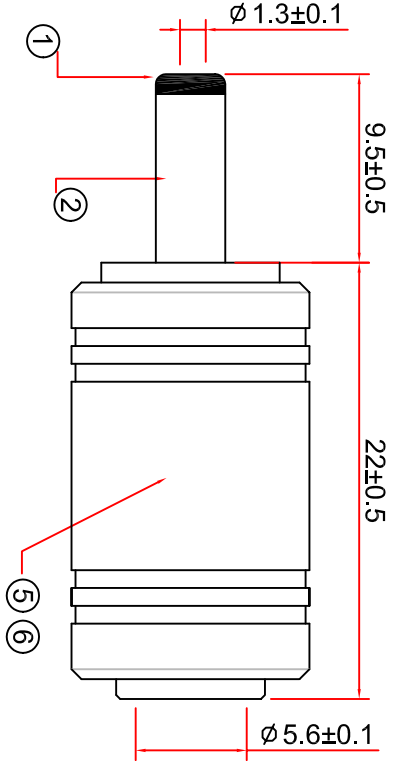
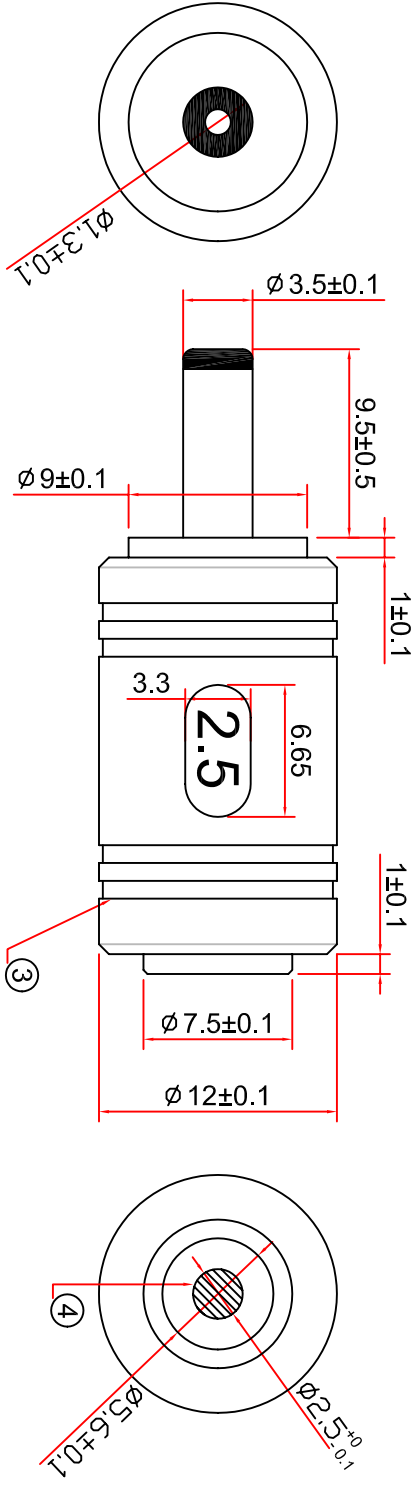


**RELEASED**

By N.Frost at 9:02 am, Jan 30, 2015

PROPRIETARY INFORMATION: PROPRIETARY OF GLOBTEK, INC. ANY REPRODUCTION, DISCLOSURE OR USE OF THIS DRAWING IN WHOLE OR PART, IS HEREBY PROHIBITED EXCEPT AS SPECIFIED IN WRITING BY GLOBTEK, INC.		REVISION	
REV	DESCRIPTION	DATE	APPROVED
A	INITIAL RELEASE	02/19/03	PM



6	INSULATOR-DELTRIN
5	SPRING-PHOSPHOR BRONZE
4	$\phi 2.5$ PIN-BRONZE
3	PE-BLACK
2	$\phi 3.5 \times 1.3$ DC PLUG-BRONZE
1	INSULATOR-DELTRIN
NO.	MATERIAL

**SPECIFICATION CONTROL DRAWING**

**GlobTek, Inc.**  
 186 Veterans Dr. Northvale, NJ 07647

DWG Title:  $\phi 3.5 \times 1.3$  DC PLUG to DC 2.5 JACK  
 MODEL: EA-78

TOLERANCES:		Rev: A	
.X	$\pm .020$	Scale: none	Drawn: NF
.XX	$\pm .010$	Sheet: 1	Date: 02/19/03
ANGLES	$\pm .5^\circ$		Date: 02/19/03