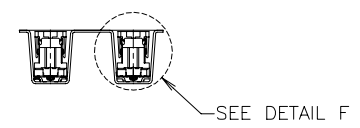
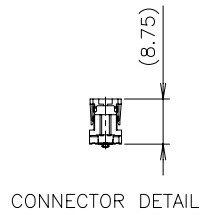
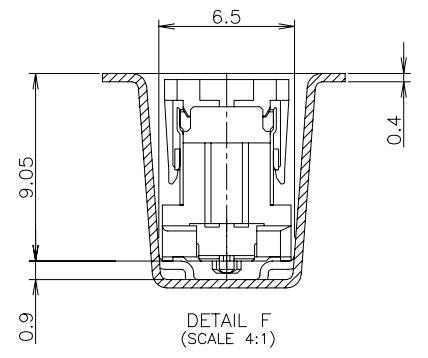
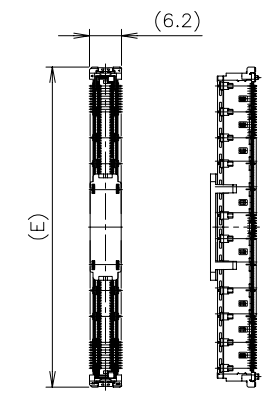
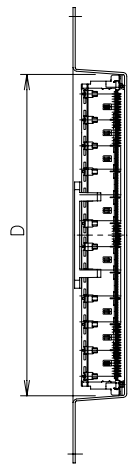
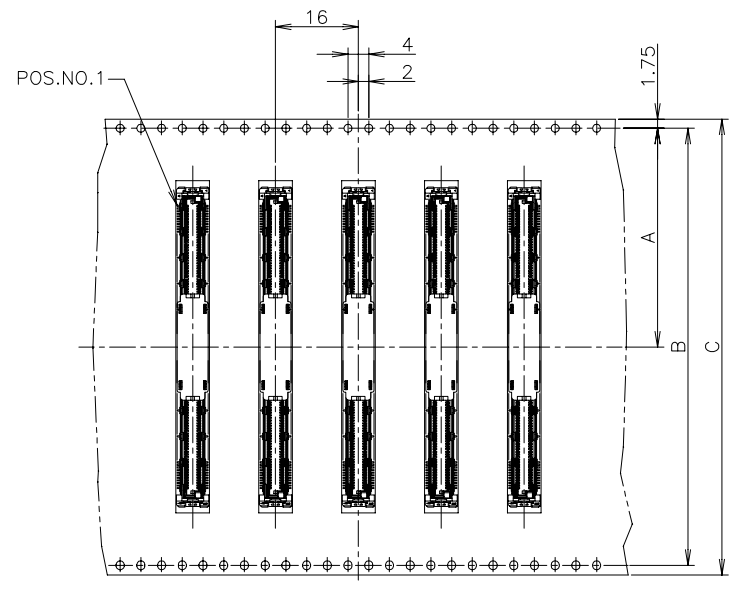


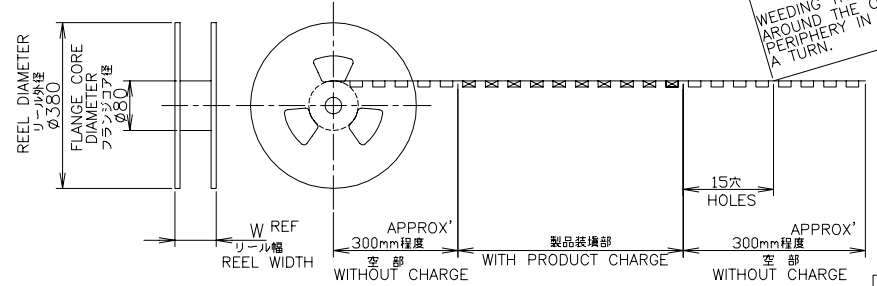
REVISIONS				
P	LTR	DESCRIPTION	DATE	DWN APVD
	A1	ECN-21-114380:ADD MATED CONDITION	31AUG2021	A.L H.L

リール引出し方向  
DIRECTION OFF TOP OF REEL



SEE DETAIL F

カバーテープ  
リッター部  
外周一巻  
WEEDING THE COVER TAPE  
AROUND THE OUTER  
PERIPHERY IN  
A TURN.



YES $\Delta$	400	59.5	57.7	57.1	54.5	95	61.8	62.1	88	84.4	42.25	220	BLACK	8-2040713-6
NO	400	59.5	57.7	57.1	54.5	95	61.8	62.1	88	84.4	42.25	220	BLACK	3-2040713-6
SEALANT	QTY	T	S	P	N	W	E	D	C	B	A	POS.	HSG COLOR	PART NO.

THIS DRAWING IS A CONTROLLED DOCUMENT.

DIMENSIONS: 単位: 耗 mm	TOLERANCES UNLESS OTHERWISE SPECIFIED: 一般公差	DWN Y.NAKAZAWA 12MAR2008	TE Connectivity Ltd.																										
<table border="1"> <tr> <td>0 PLC</td> <td><math>\pm 0.3</math></td> <td>CHK T.FUTATSUGI 12MAR2008</td> <td>NAME 名称</td> </tr> <tr> <td>1 PLC</td> <td><math>\pm 0.3</math></td> <td>APVD T.FUTATSUGI 12MAR2008</td> <td>EMBOSS ASSY</td> </tr> <tr> <td>2 PLC</td> <td><math>\pm 0.3</math></td> <td>PRODUCT SPEC</td> <td>FH 0.5BTB CONNECTOR 220 POS</td> </tr> <tr> <td>3 PLC</td> <td><math>\pm 0.3</math></td> <td>製品規格</td> <td>PLUG 8H WITH GROUND PLATE AND CAP</td> </tr> <tr> <td>4 PLC</td> <td><math>\pm 0.3</math></td> <td>APPLICATION SPEC</td> <td>108-5560</td> </tr> <tr> <td>ANGLES</td> <td><math>\pm 3'</math></td> <td>取付適用規格</td> <td>SIZE CAGE CODE DRAWING NO A3 00779 G=2040713</td> </tr> </table>	0 PLC	$\pm 0.3$		CHK T.FUTATSUGI 12MAR2008	NAME 名称	1 PLC	$\pm 0.3$	APVD T.FUTATSUGI 12MAR2008	EMBOSS ASSY	2 PLC	$\pm 0.3$	PRODUCT SPEC	FH 0.5BTB CONNECTOR 220 POS	3 PLC	$\pm 0.3$	製品規格	PLUG 8H WITH GROUND PLATE AND CAP	4 PLC	$\pm 0.3$	APPLICATION SPEC	108-5560	ANGLES	$\pm 3'$	取付適用規格	SIZE CAGE CODE DRAWING NO A3 00779 G=2040713	MATERIAL 材料	FINISH 仕上	WEIGHT	CUSTOMER DRAWING
0 PLC	$\pm 0.3$	CHK T.FUTATSUGI 12MAR2008	NAME 名称																										
1 PLC	$\pm 0.3$	APVD T.FUTATSUGI 12MAR2008	EMBOSS ASSY																										
2 PLC	$\pm 0.3$	PRODUCT SPEC	FH 0.5BTB CONNECTOR 220 POS																										
3 PLC	$\pm 0.3$	製品規格	PLUG 8H WITH GROUND PLATE AND CAP																										
4 PLC	$\pm 0.3$	APPLICATION SPEC	108-5560																										
ANGLES	$\pm 3'$	取付適用規格	SIZE CAGE CODE DRAWING NO A3 00779 G=2040713																										

SCALE 1:1 SHEET 1 OF 3 REV A1

4

3

2

1

© 2008 TE Connectivity. All Rights Reserved.

REVISIONS

P	LTR	DESCRIPTION	DATE	DWN	APVD
-	-	SEE SHEET 1	-	-	-

H-H  
(SIGNAL POSITION)

G-G  
(GROUND POSITION)PLUG CONNECTOR  
P/N: \*-2040713-\*

REC CONNECTOR  
P/N: \*-2040714-\*

① FULL-MATED CONDITION

⚠ MATERIAL; HOUSING: HIGH TEMP THERMO PLASTIC UL94V-0  
CONTACT: COPPER ALLOY  
SOLDER PEG: COPPER ALLOY

⚠ FINISH ; SIGNAL CONTACT: UNDER PL Ni 0.0013mm MIN ALL OVER.  
CONTACT AREA 0.00076mm MIN Au PL.  
SOLDERING AREA 0.001mm MIN TIN PL.  
GROUND CONTACT: UNDER PL Ni 0.0013mm MIN ALL OVER.  
CONTACT AREA 0.00076mm MIN Au PL.  
SOLDERING AREA 0.001mm MIN TIN PL.  
SOLDER PEG: 0.001mm MIN TIN PL. OVER  
0.0013mm MIN Ni PL ALL OVER.

⚠ THIS POSITION IS GROUND CIRCUIT.

⚠ THIS PRODUCT WAS COATED BY FLUX-PENETRATION-INHIBITING AGENT.

THIS DRAWING IS A CONTROLLED DOCUMENT.

DIMENSIONS:  
單位: 耗  
mmTOLERANCES UNLESS  
OTHERWISE SPECIFIED:  
一般公差

0 PLC	± 0.3
1 PLC	± 0.3
2 PLC	± 0.3
3 PLC	± 0.3
4 PLC	± 0.3
4 PLC ANGLES	± 3°

MATERIAL  
材料FINISH  
仕上

DWN
CHK
APVD
PRODUCT SPEC 製品規格
APPLICATION SPEC 取付適用規格
WEIGHT
CUSTOMER DRAWING

TE Connectivity Ltd.

NAME  
名称

EMBOSS ASSY

FH 0.5BTB CONNECTOR 220 POS

PLUG 8H WITH GROUND PLATE AND CAP

SIZE

CAGE CODE

DRAWING NO  
番号

RESTRICTED TO

A3

00779

G=2040713

SCALE  
尺度

4:1

SHEET

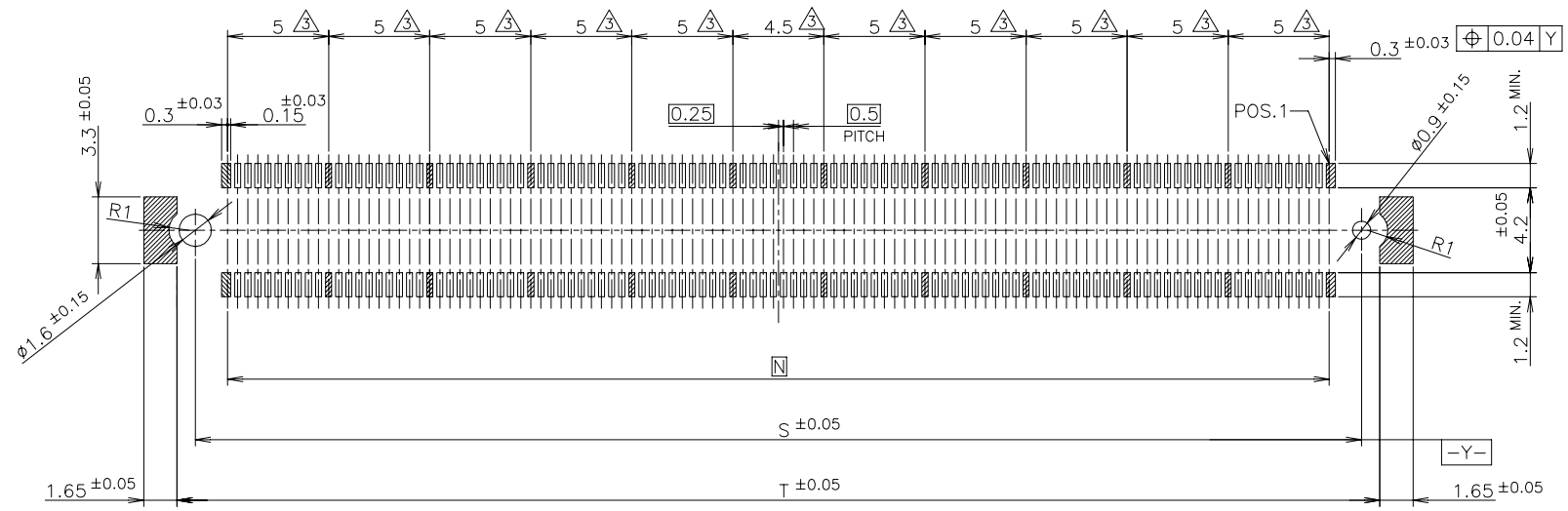
2 OF 3

REV

A1

1470-19 (1/15)

REVISIONS				
P	LTR	DESCRIPTION	DATE	APVD
-	-	SEE SHEET 1	-	-



REFERENCE P.C. BOARD LAYOUT

THIS DRAWING IS A CONTROLLED DOCUMENT.		DWN	TE Connectivity Ltd.	
DIMENSIONS: 單位: 耗 mm		CHK		
TOLERANCES UNLESS OTHERWISE SPECIFIED: 一般公差		APVD	NAME 名稱	
0 PLC ± 0.3 1 PLC ± 0.3 2 PLC ± 0.3 3 PLC ± 0.3 4 PLC ± 0.3 ANGLES ± 3°		PRODUCT SPEC 製品規格	EMBOSS ASSY FH 0.5BTB CONNECTOR 220 POS PLUG 8H WITH GROUND PLATE AND CAP	
MATERIAL 材料		APPLICATION SPEC 取付適用規格	SIZE A3	CAGE CODE 00779
FINISH 仕上		WEIGHT	DRAWING NO C=2040713	RESTRICTED TO
		CUSTOMER DRAWING	SCALE 尺度 4:1	SHEET 3 OF 3
				REV A1