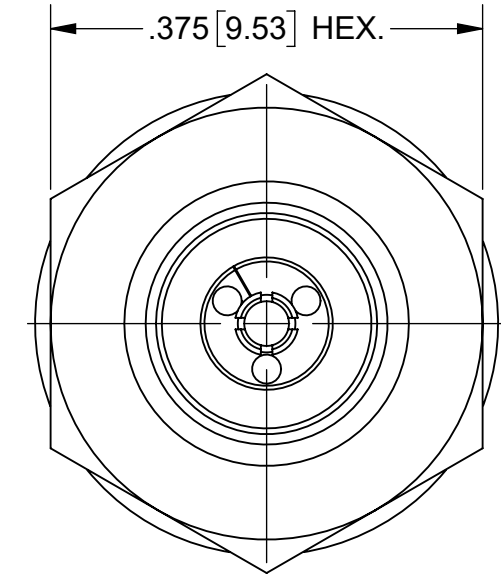
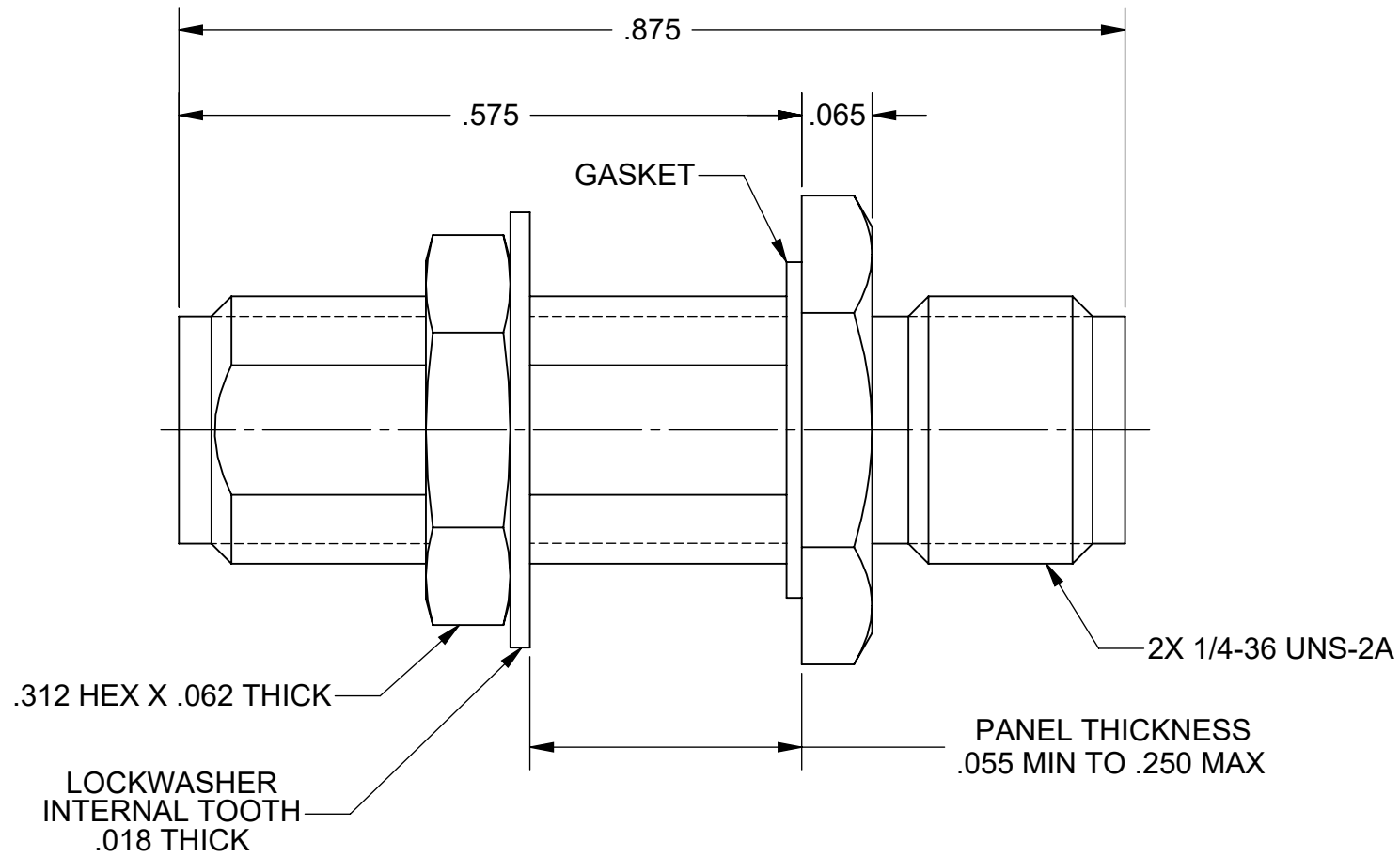
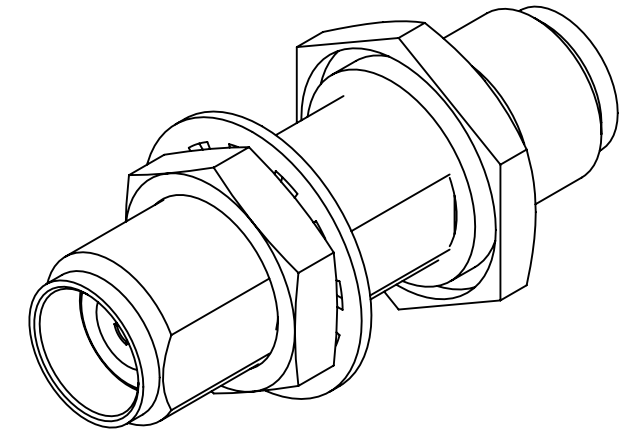
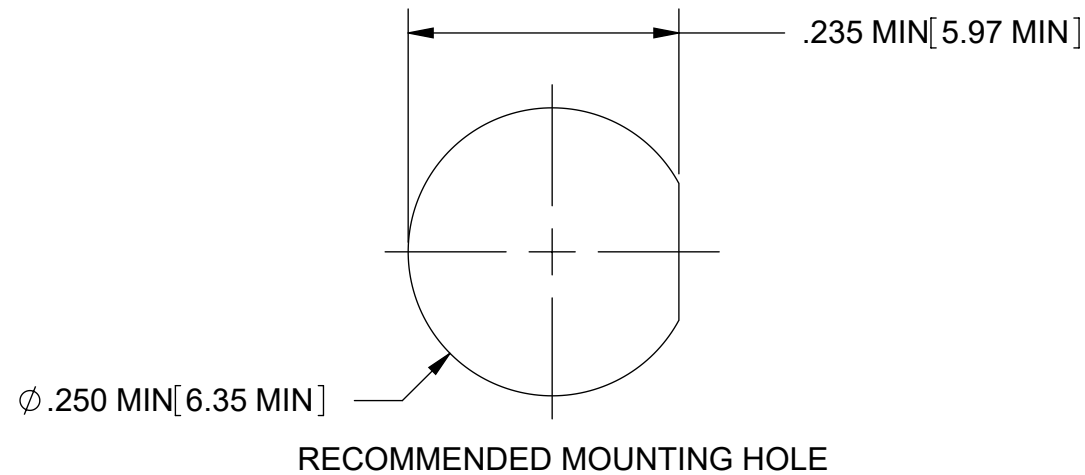


PRODUCT DATA DRAWING

REVISION HISTORY			
REV	DESCRIPTION	DATE	APPROVED
-	NRN 45802	04/21	BNK



MATERIAL:
LOCKWASHER, BODY & INSERT: STAINLESS STEEL PER AMS-5640, ALLOY UNS S30300, TYPE 1
CONTACT: BERYLLIUM COPPER PER ASTM B196, ALLOY No. UNS C17300, TD04
INSULATOR: POLYETHERMIDE PER ASTM D5205, ULTEM 1000
GASKET: EMI
FINISH:
BODY, INSERT & LOCKWASHER: PASSIVATED PER AMS-2700
CONTACT: GOLD PER ASTM B488, TYPE II, CODE C, CLASS 1.27, OVER NICKEL PER AMS-QQ-N-290, CLASS 1, .00005" MIN.
PERFORMANCE:
FREQ. RANGE: DC TO 40.0 GHz
VSWR: 1.25:1 DC TO 40.0 GHz



- NOTES**
- RECOMMENDED MATING TORQUE TO MALE COUPLING NUT IS 8 TO 10 IN-LBS.
 - RECOMMENDED TORQUE TO FASTEN ADAPTER TO PANEL IS 12 TO 15 IN-LBS.

MATERIAL: SEE NOTES	DIMENSIONS ARE IN INCHES TOLERANCES: FRACTIONAL: $\pm 1/64$ ANGULAR: X° $\pm 1'0''$ X'X' $\pm 15'$	UNLESS OTHERWISE SPECIFIED 1) ALL DIMENSIONS ARE IN INCHES (MILLIMETERS) 2) ALL DIMENSIONS ARE AFTER PLATING. 3) BREAK CORNERS & EDGES .005 R. MAX. 4) CHAM. 1ST & LAST THREADS. 5) SURFACE ROUGHNESS 63-MIL-STD-10. 6) DIA.'S ON COMMON CENTERS TO BE CONCENTRIC WITHIN .005 T.I.R. 7) REMOVE ALL BURRS	SV Microwave, Inc. www.svmicrowave.com
FINISH: SEE NOTES	DECIMAL: X $\pm .030$.XX $\pm .010$.XXX $\pm .005$	INTERPRET DIMENSIONS AND TOLERANCES PER ASME Y14.5M - 1994	TITLE: 2.9MM F TO 2.9MM F STR. ADAPTER
SURFACE AREA: N/A	THIRD ANGLE PROJECTION	DRAWN: TSW 04/23/21	SIZE B DWG. NO. 1115-6131
PROPRIETARY THE INFORMATION CONTAINED IN THIS DRAWING IS THE SOLE PROPERTY OF SV MICROWAVE, INC. ANY REPRODUCTION IN PART OR AS A WHOLE WITHOUT THE WRITTEN PERMISSION OF SV MICROWAVE, INC IS PROHIBITED.		CHECKED: BNK 04/23/21	SCALE: 6:1
		APPROVED: BNK 04/23/21	SHEET 1 OF 1