

71M6403

Electronic Trip Unit

The Teridian 71M6403 is an electronic trip unit (ETU) system-on-chip device for air circuit breakers (ACB), molded case circuit breakers (MCCB) and other types of intelligent switchgear. Utilizing Teridian's patented Single Converter Technology™, the 71M6403 incorporates a 22-bit delta-sigma ADC, 7 current sensor inputs, digital temperature compensation, precision voltage reference, 32-bit programmable computation engine, timers, Real Time Clock (RTC), two UARTs and an single cycle execution 8-bit MCU.

Armed with an internal digital di/dt integrator, this programmable device supports either current transformer (CT) or Rogowski-Coils for any or all input channels and provides instantaneous and delayed over current, earth-leakage, ground-fault and arc fault protection functions. Furthermore, the device may be configured to support any number of conventional or custom protection algorithms that fit specific load configurations in the field.

The 71M6403 includes a 5V LCD charge pump as well as 3V LCD support with up to 168 pixels display and up to 22 DIO pins. Easy conversion to ROM offers unprecedented cost structure for high volume MCCB applications.

A complete suite of in-circuit emulator (ICE) and development tools, a powerful real-time signal monitoring tool, programming libraries and reference designs enable rapid development of advanced switchgear.

Features

- ❖ 22-bit Sigma-delta converter
- ❖ Six main sensor inputs
- ❖ One auxiliary input
- ❖ Supports CT or Rogowski Coils
- ❖ Internal di/dt integrators
- ❖ <5ms startup time
- ❖ Better than 10ppm/°C accuracy
- ❖ Instantaneous and delay trip

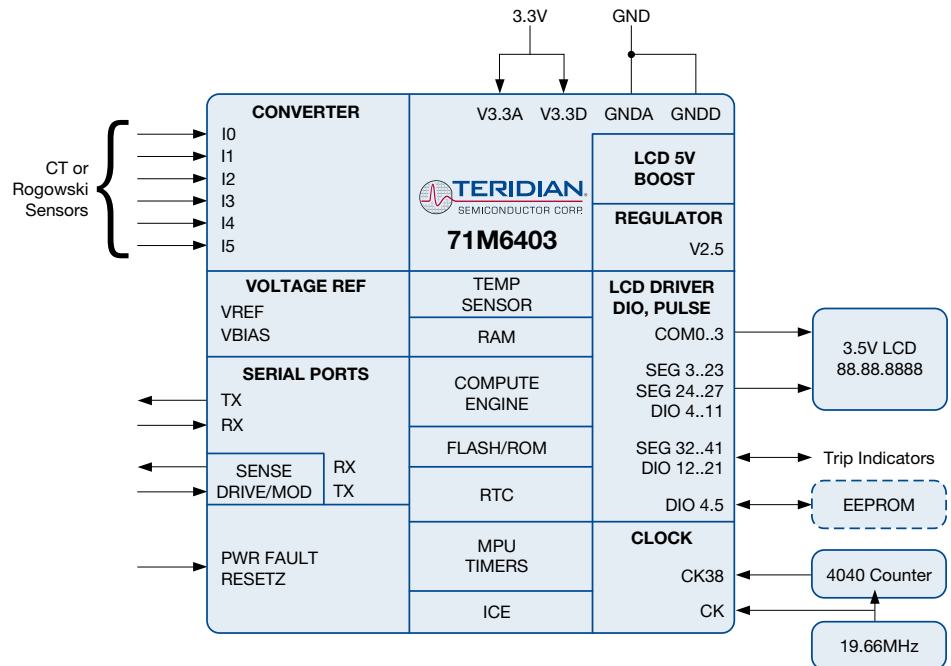


Applications

- ❖ *Electronic Trip Unit (ETU) modules*
- ❖ *Protection Relays*
- ❖ *Air Circuit Breakers (ACB)*
- ❖ *Molded Case Circuit Breakers (MCCB)*
- ❖ *Insulated Case Circuit Breakers (ICCB)*
- ❖ *Low Voltage Switchgear*
- ❖ *Motor Circuit Protection*

- ❖ Peak & RMS current measurement
- ❖ Calculated or measured GND current
- ❖ Power measurement functions option
- ❖ Internal temperature sensor
- ❖ Digital temperature compensation
- ❖ Independent 32-bit compute engine
- ❖ Two UART ports
- ❖ Two timers
- ❖ Hardware watchdog
- ❖ Internal power fault detector
- ❖ Real Time Clock (RTC)
- ❖ Battery backup (RTC, RAM)
- ❖ 8-bit MPU (80515) - 1 clock cycle per instruction (5Mhz max.)
- ❖ LCD driver (≤ 168 pixels)
- ❖ 5V LCD charge pump
- ❖ Up to 22 general purpose I/O pins
- ❖ High speed serial interface (SSI)
- ❖ I²C EEPROM interface
- ❖ 64KB Flash, 7KB RAM
- ❖ Flash memory security
- ❖ 30mW @ 3.3V
- ❖ 100-lead LQFP package

71M6403 Block Diagram



Ordering Information

PART DESCRIPTION	ORDERING NUMBER	PACKAGE MARKING
71M6403 Electronic Trip Unit, 100-pin LQFP	71M6403-IGT	71M6403-IGT
71M6403 Electronic Trip Unit, 100-pin LQFP, Lead Free	71M6403-IGT/F	71M6403-IGTF



6440 Oak Canyon, Irvine, CA 92618-5201
 714-508-8800 (Tel)
 714-508-8878 (Fax)

For immediate technical information and the name of a local representative or distributor, visit www.teridian.com, send an e-mail to support@teridian.com or call (714) 508-8800.

No responsibility is assumed by Teridian Semiconductor Corporation for use of this product nor for any infringements of patents and trademarks or other rights of third parties resulting from its use. No license is granted under any patents, patent rights or trademarks of Teridian Semiconductor Corporation, and the company reserves the right to make changes in specifications at any time without notice. Accordingly, the reader is cautioned to verify that the data sheet is current before placing orders.

© 2006 Teridian Semiconductor Corporation

6/06 - rev 1.0