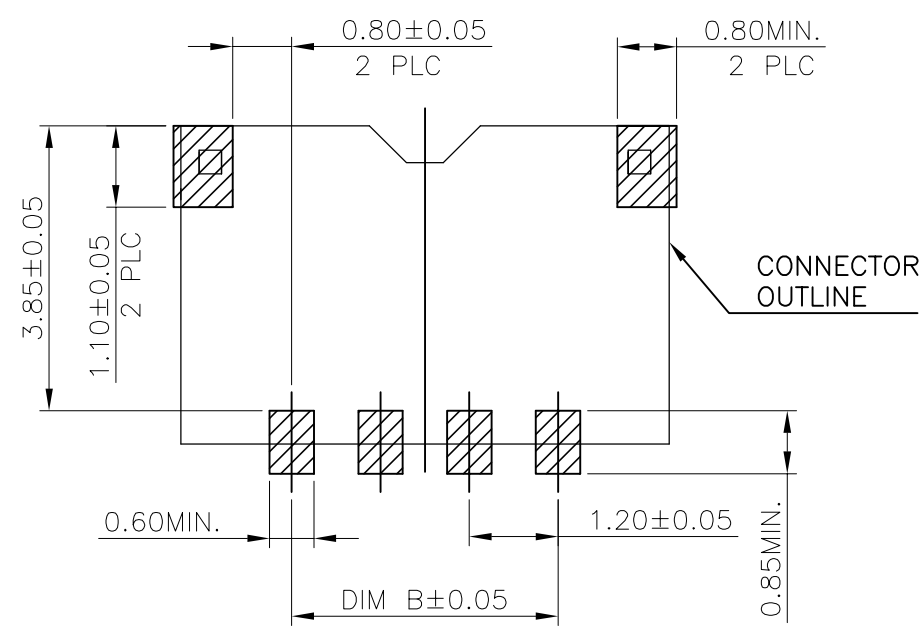
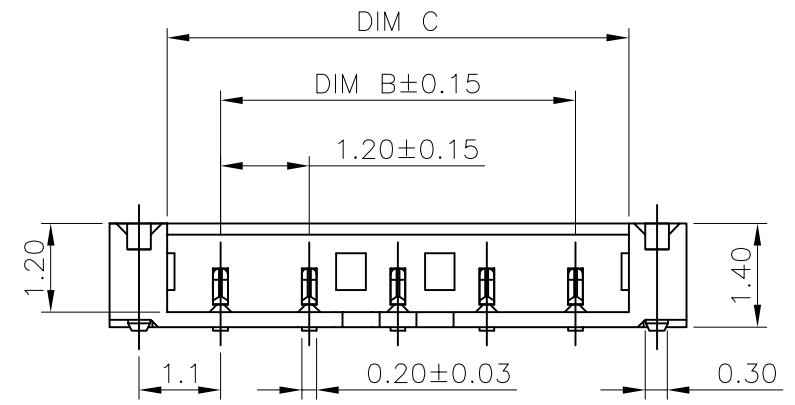
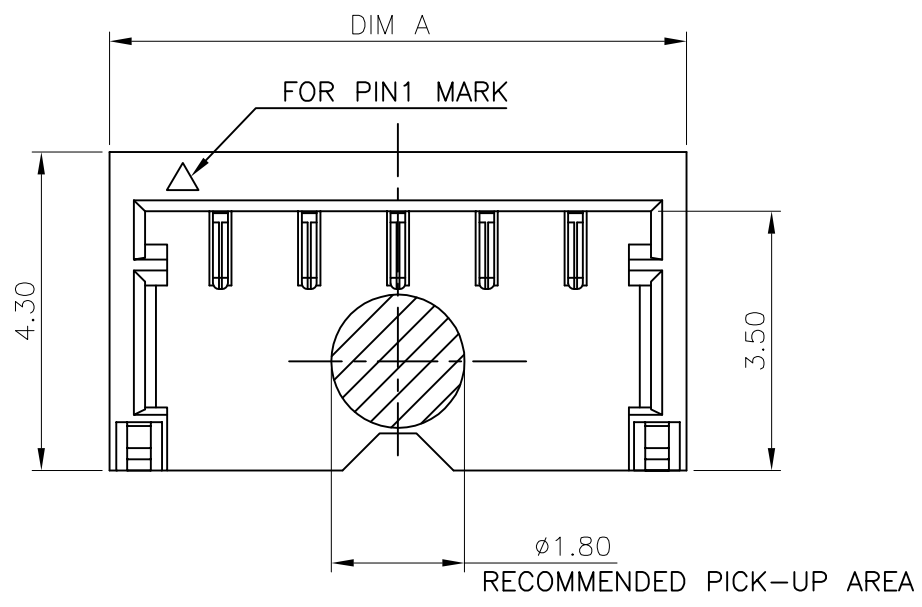
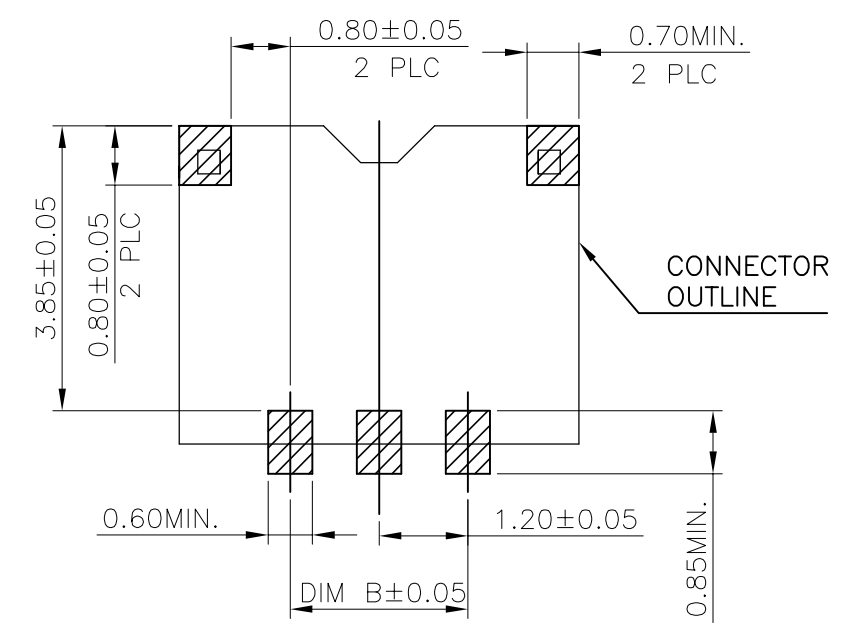


THIS DRAWING IS UNPUBLISHED. RELEASED FOR PUBLICATION
 © COPYRIGHT 2011 BY TYCO ELECTRONICS CORPORATION. ALL RIGHTS RESERVED.

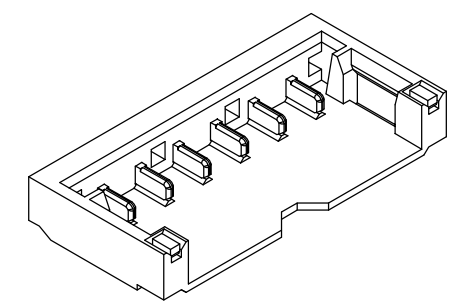
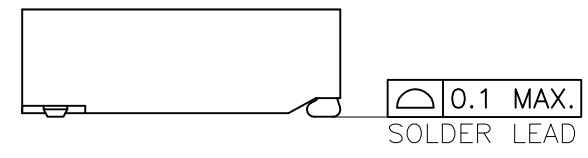
LOC	DW	DIST	REVISIONS		
P	LTR	DESCRIPTION	DATE	DWN	APVD
	A5	ECR-17-013294	11SEP'17	T.Q	W.H



RECOMMENDED PCB LAYOUT ONLY FOR 4~6 PIN



RECOMMENDED PCB LAYOUT ONLY FOR 2 & 3 PIN



NOTE:

- MATERIAL:
 - HOUSING: LCP WITH 30% GF, UL 94V-0, BLACK COLOR.
 - CONTACTS: PHOSPHOR BRONZE 0.20±0.05mm THICKNESS.
 - PEGS: BRASS 0.30±0.05mm THICKNESS.
- FINISH:
 - CONTACTS: GOLD FLASH PLATED ON CONTACT AREA, WITH ENTIRE CONTACT GOLD FLASH PLATED OVER 1.27um [50u"] MIN. NICKEL UNDERPLATED OVERALL.
 - PEGS: 2.54um [100u"] MIN. MATTE-TIN OVER 1.27um [50u"] MIN. NICKEL UNDERPLATED OVERALL.
- REFLOW SOLDER CAPABLE TO 260°C PER TYCO TEST SPEC. 109-201, CONDITION B.
- NO TYCO LOGO AND DATE CODE ON THE PRODUCT.
- RECOMMENDED TO MATE WITH TE 1909783-X

WEIGHT	C	B	A	NO. OF CONTACTS	PART NUMBER
0.067g	7.44	6.0	9.0	06	1909782-5
0.053g	6.24	4.8	7.8	05	1909782-4
0.040g	5.04	3.6	6.6	04	1909782-3
0.027g	3.84	2.4	5.4	03	1909782-2
0.015g	2.64	1.2	4.2	02	1909782-1

THIS DRAWING IS A CONTROLLED DOCUMENT.		DWN	F. YANG	20MAY2009	 TE Connectivity												
DIMENSIONS: mm		CHK	S. CHIEN	20MAY2009													
TOLERANCES UNLESS OTHERWISE SPECIFIED:		APVD	W. KODAMA	20MAY2009													
<table border="0"> <tr> <td>0 PLC</td> <td>± -</td> </tr> <tr> <td>1 PLC</td> <td>± 0.3</td> </tr> <tr> <td>2 PLC</td> <td>± 0.25</td> </tr> <tr> <td>3 PLC</td> <td>± 0.15</td> </tr> <tr> <td>4 PLC</td> <td>± -</td> </tr> <tr> <td>ANGLES</td> <td>± 3'</td> </tr> </table>		0 PLC	± -	1 PLC	± 0.3	2 PLC	± 0.25	3 PLC	± 0.15	4 PLC	± -	ANGLES	± 3'	PRODUCT SPEC 108-57767		NAME	
0 PLC	± -																
1 PLC	± 0.3																
2 PLC	± 0.25																
3 PLC	± 0.15																
4 PLC	± -																
ANGLES	± 3'																
MATERIAL: SEE NOTE		FINISH: SEE NOTE		APPLICATION SPEC													
SEE NOTE		SEE NOTE		1.2mm PITCH, BOARD TO WIRE CONNECTOR WAFER, TOP ENTRYX													
MATERIAL		WEIGHT	SEE TABLE	SIZE	A3												
SEE NOTE		CUSTOMER DRAWING		CAGE CODE	00779												
		DRAWING NO		C=1909782													
		RESTRICTED TO		SCALE													
		SHEET		1 OF 3													
		REV		A5													

4

3

2

1

THIS DRAWING IS UNPUBLISHED.

RELEASED FOR PUBLICATION

LOC

DIST

REVISIONS

© COPYRIGHT 2011 BY TYCO ELECTRONICS CORPORATION. ALL RIGHTS RESERVED.

DW

P

LTR

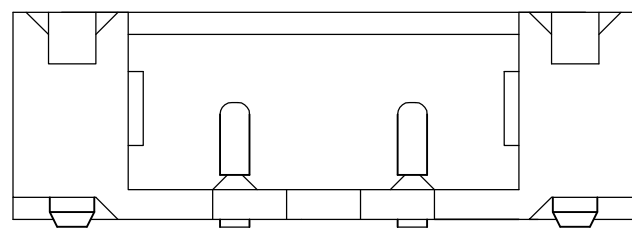
DESCRIPTION

DATE

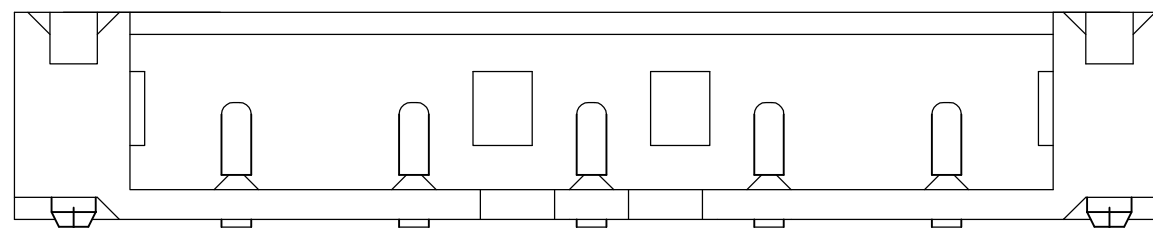
DWN

APVD

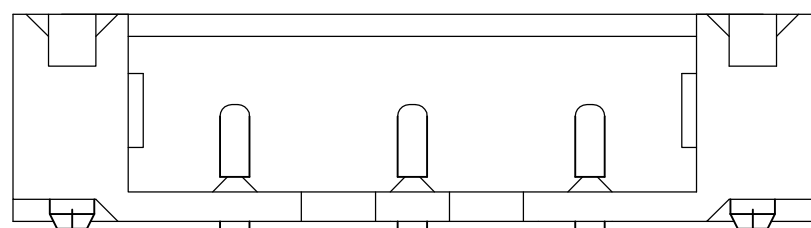
SEE SHEET 1.



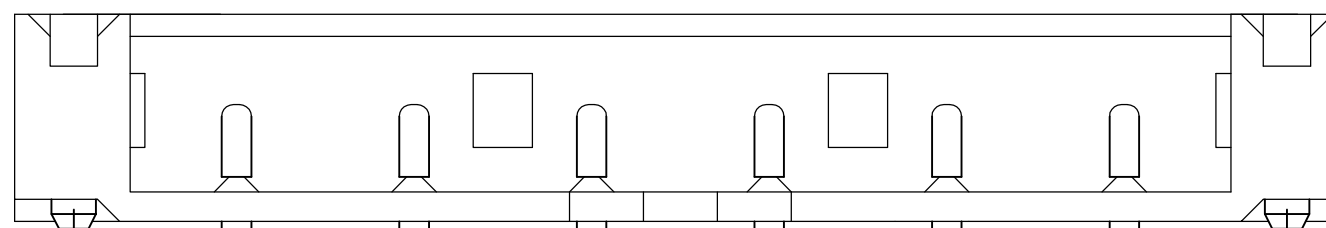
FOR 2 PIN



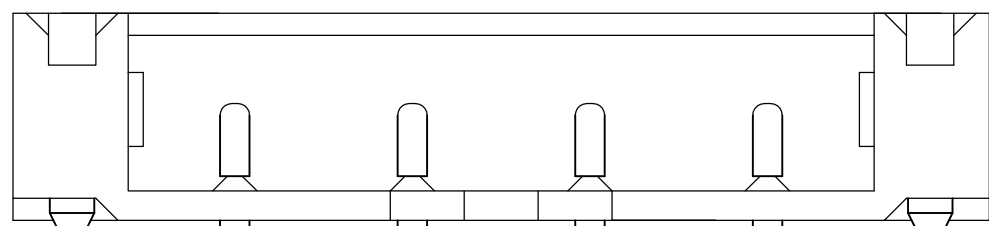
FOR 5 PIN



FOR 3 PIN



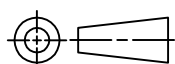
FOR 6 PIN



FOR 4 PIN

THIS DRAWING IS A CONTROLLED DOCUMENT.

DIMENSIONS:
mm



TOLERANCES UNLESS OTHERWISE SPECIFIED:

- 0 PLC ± -
- 1 PLC ± 0.3
- 2 PLC ± 0.2
- 3 PLC ± 0.15
- 4 PLC ± -
- ANGLES ± 3'

MATERIAL

FINISH

DWN	-
CHK	-
APVD	-
PRODUCT SPEC	-
APPLICATION SPEC	-
WEIGHT	-
CUSTOMER DRAWING	-



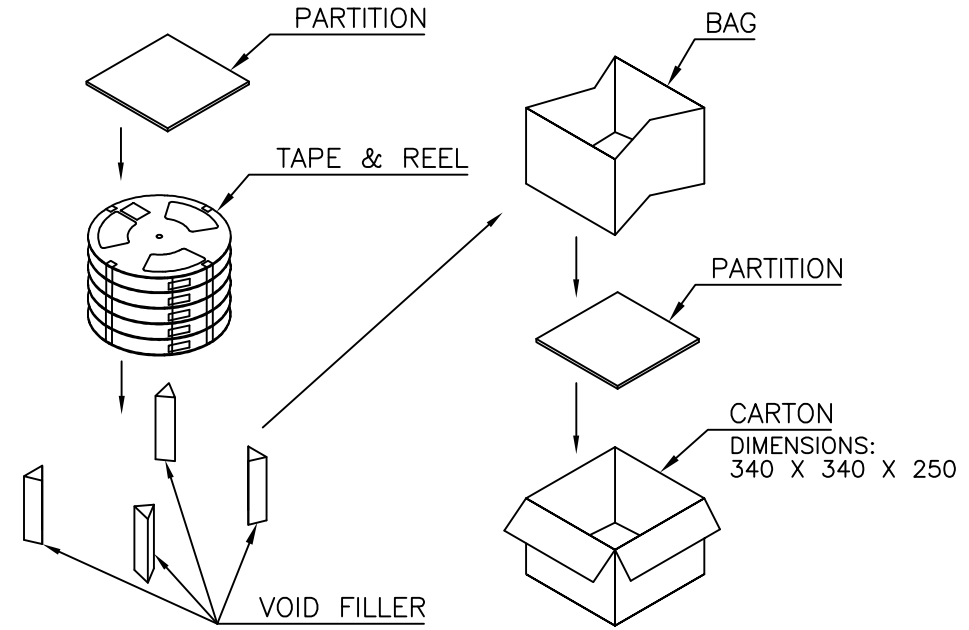
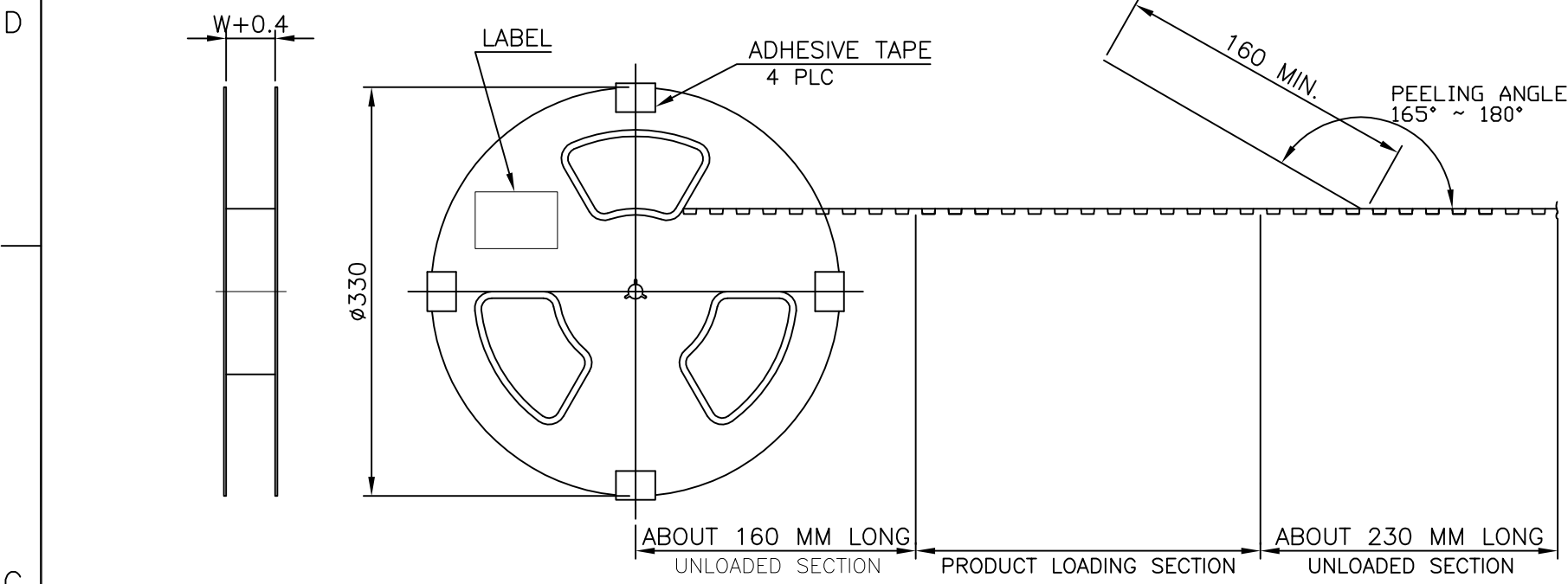
NAME
1.2mm PITCH, BOARD TO WIRE CONNECTOR
WAFER, TOP ENTRYX

SIZE	CAGE CODE	DRAWING NO	RESTRICTED TO
A3	00779	C=1909782	-

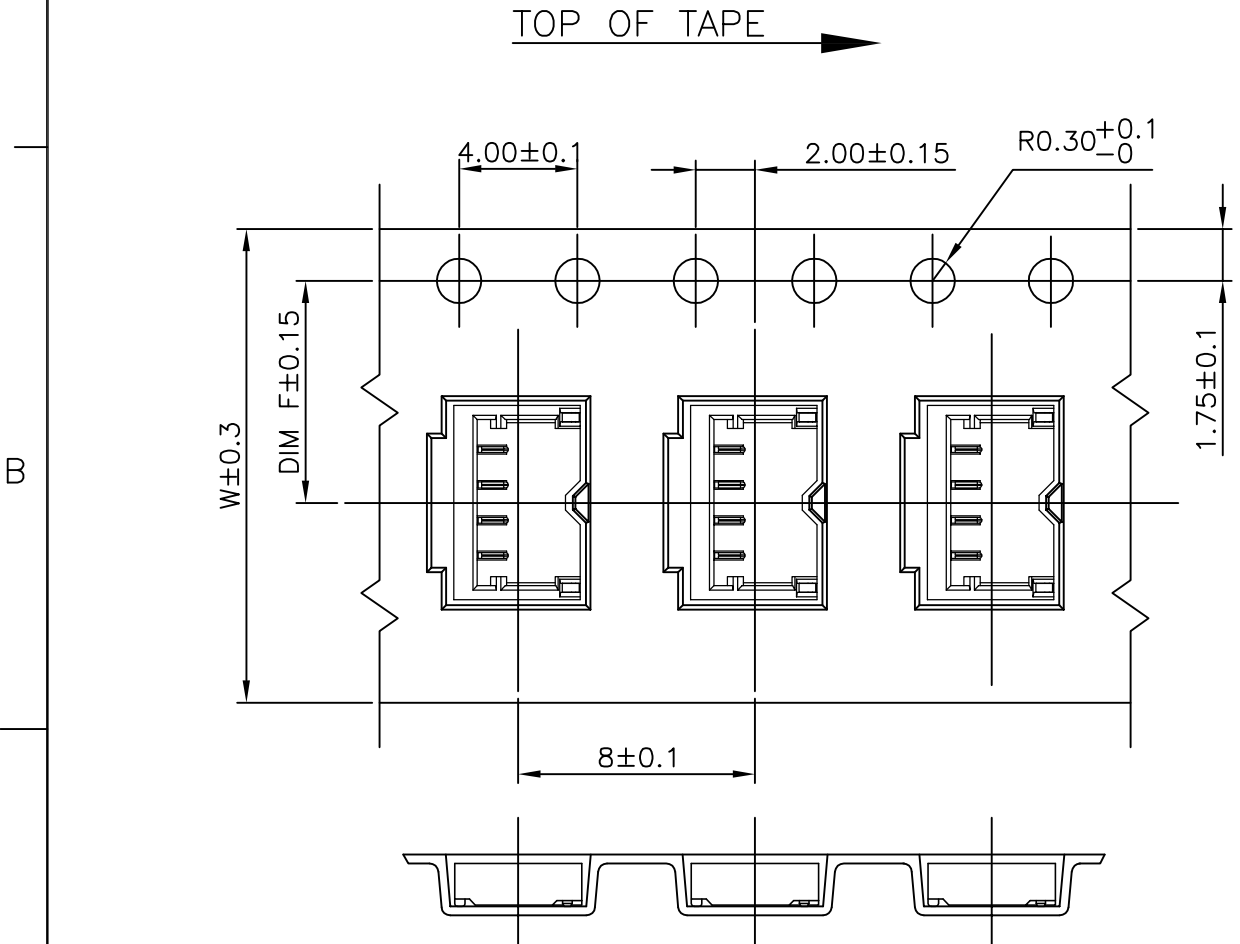
SCALE	SHEET	REV
-	2 of 3	A5

THIS DRAWING IS UNPUBLISHED. RELEASED FOR PUBLICATION
 © COPYRIGHT 2011 BY TYCO ELECTRONICS CORPORATION. ALL RIGHTS RESERVED.

LOC	DIST	REVISIONS					
DW		P	LTR	DESCRIPTION	DATE	DWN	APVD
				SEE SHEET 1.			



- NOTES :
- MATERIAL :
 - COVER TAPE : P.S., COLOR: TRANSPARENT
 - CARRIER TAPE : P.S.
 - PARTITION : EPE
 - BOX: CORRUGATED FIBER
 - DIMENSION :
 - REEL : SEE DRAWING
 - BOX : SEE DRAWING
 - CARRIER TAPES, COVER TAPES, REELS AND TAPED COMPONENTS MUST MEET THE REQUIREMENTS DEFINED PER EIA-481-B.
 - PEELING RESISTANCE : 10gf~130gf
 - PEELING SPEED : 300mm/MINUTES



9.35	24.0	11.50	4000	7	28000	6.71	2.11	06	1909782-5
8.15	16.0	7.50	4000	7	28000	5.94	1.67	05	1909782-4
6.95	16.0	7.50	4000	7	28000	5.53	1.26	04	1909782-3
5.75	16.0	7.50	4000	7	28000	5.12	0.85	03	1909782-2
4.55	12.0	5.50	4000	7	28000	4.66	0.47	02	1909782-1
DIM G	DIM W	DIM F	PCS/TAPE	REELS/CARTON	QUANTITY (PCS)	G/W (Kg)	N/W (Kg)	NO. OF CONTACTS	PART NUMBER

THIS DRAWING IS A CONTROLLED DOCUMENT.

DIMENSIONS: mm	TOLERANCES UNLESS OTHERWISE SPECIFIED:	DWN	TE Connectivity
	0 PLC ± -	CHK	NAME
	1 PLC ± 0.3	APVD	1.2mm PITCH, BOARD TO WIRE CONNECTOR WAFER, TOP ENTRYX
	2 PLC ± 0.2	PRODUCT SPEC	SIZE
	3 PLC ± 0.15	APPLICATION SPEC	CAGE CODE
	4 PLC ± -	WEIGHT	DRAWING NO
	ANGLES ± 3'	CUSTOMER DRAWING	RESTRICTED TO
MATERIAL	FINISH		A3 00779 C=1909782
		SCALE	SHEET 3 of 3 REV A5