

APPROVED: _____
 DATE: _____ TITLE: _____

Rev	AWO #	Description	Date	Appr
-		RELEASED	12/16/21	
A		ADDED SPEC.	8/11/22	LH/TW

SPECIFICATIONS:

Material:

Lower Firmware	ABS	Color: Black
Upper Firmware	ABS	Color: Black
Noumenon	ABS	Color: Black

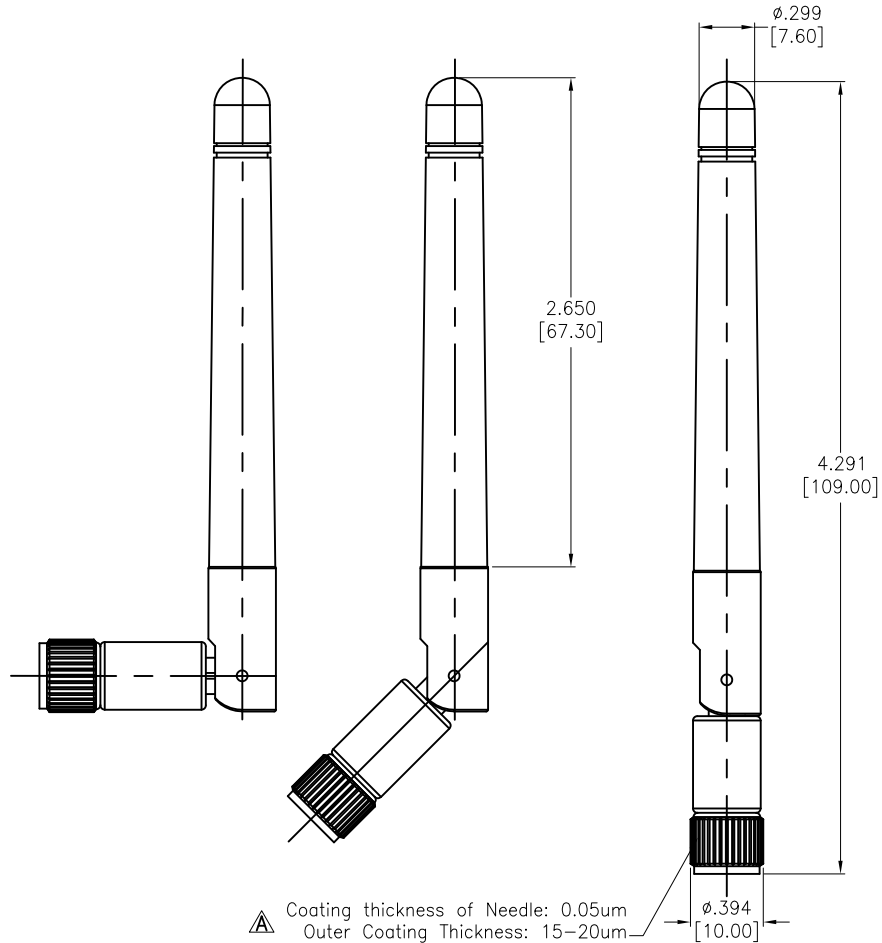
Electrical:

Standards	ISM/LoRa 868MHz
Frequency range(MHz)	868MHz
Peak Gain	1.51dBi
Average Gain(dB)	-2.92dB
VSWR	1.17
Return Loss	-22.05
Efficiency (%)	51%
Polarization mode	Linear
Radiation pattern	Omni-Directional
Output impedance	50
Max.Input Power(W)	25

Mechanical:

Mounting Type	Connector Mount
Connector Type	SMA-M
Antenna size(mm)	190mm* ϕ 10mm
Material	ABS
Operating Temperature	-40°C~+85°C
Storage Temperature	-40°C~+85°C

Environmental:
 Lead free, RoHS compliant.



UNLESS OTHERWISE SPECIFIED ALL DIMENSIONS ARE INCHES [MM]. TOLERANCES: EXCEPT AS NOTED

INCHES		HOLES	
.x	$\pm .10$	ϕ x	$\pm .10$
.xx	$\pm .020$	ϕ xx	$\pm .015$
.xxx	$\pm .015$	ϕ xxx	$\pm .010$

**ADAM
 TECH**

909 Rahway Avenue,
 Union, NJ 07083
 Phone: 908-687-5000
 Fax: 908-687-5710

DRAWN	LH	12/16/21
CHECKED	RC	12/16/21
APPROVED		

TITLE
868MHz EXTERNAL ANTENNA, TILT, WITH SMA MALE

THIS DRAWING CONTAINS INFORMATION THAT IS PROPRIETARY AND SHOULD NOT BE USED WITHOUT PRIOR WRITTEN PERMISSION FROM ADAM TECH

SIZE X	PART NO. ANT-19036EB56	REV. -
REF: S00207C	SCALE: NTS	SHEET 1 OF 1