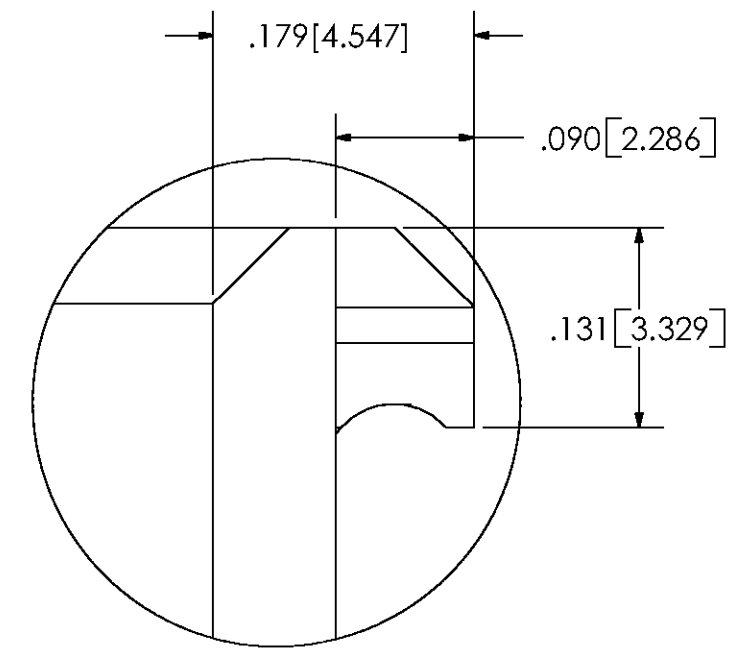
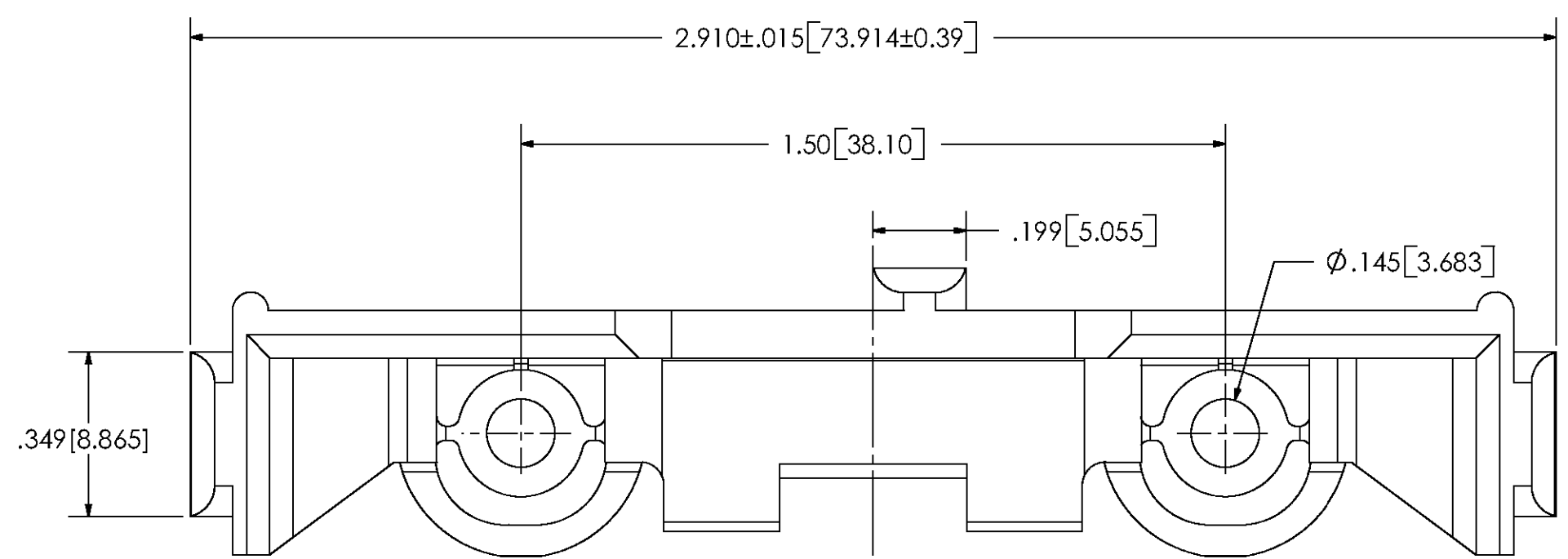
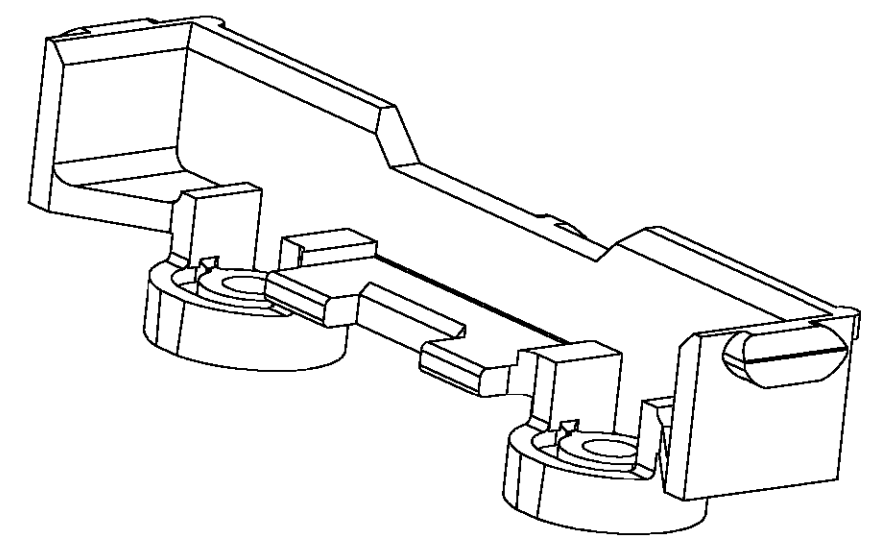


8 7 6 5 4 3 2 1

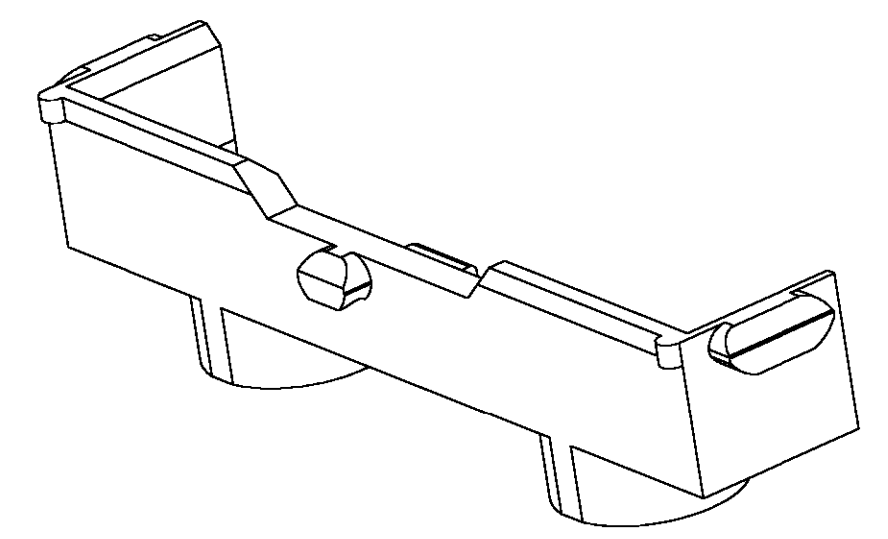
F  
E  
D  
C  
B  
A



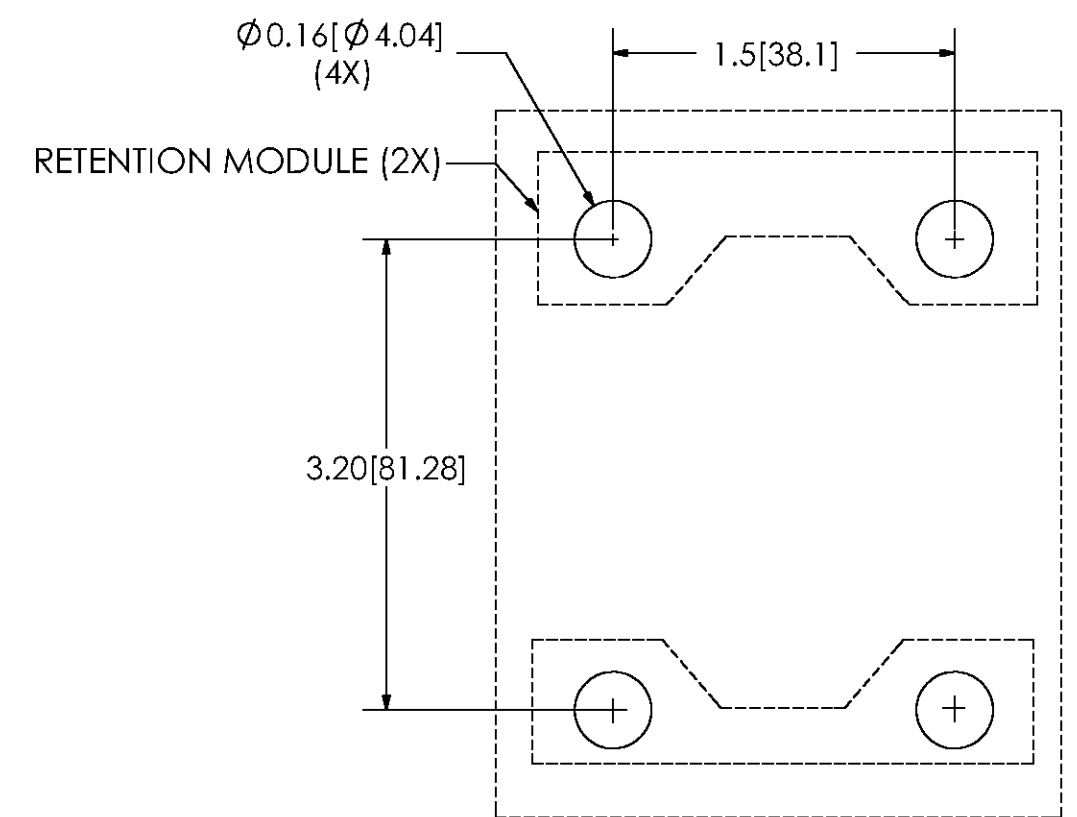
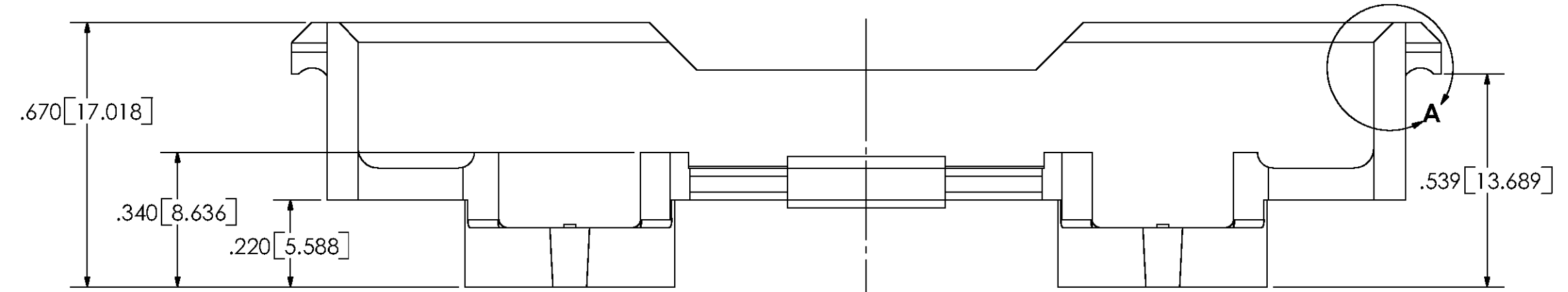
**DETAIL A  
SCALE= 8X**



**SCALE= 2X**



**SCALE= 2X**



**PCB LAYOUT  
REFERENCE DIMENSIONS FROM INTEL®  
DESIGN GUIDE**

**NOTES:**

- 1.) 2 RETENTION MODULES REQUIRED PER HEAT SINK.
- 2.) RETENTION MODULE USED WITH XEON PROCESSOR HEAT SINKS.
- 3.) QUICK RELEASE CLIP AVAILABLE FOR FLIP CHIP P/N: 9-1542007-7.

**CUSTOMER DRAWING**

SPECIFICATIONS ARE SUBJECT TO CHANGE WITHOUT NOTICE

REV.	REVISION INFO
A	RELEASE 0360-0045-03 E.TAO 04/09/03 APP'D: S.G 04/09/03
B	RELEASE 0360-0127-03 E.TAO 10/02/03 APP'D: A.M 10/02/03
C	RELEASE 0360-0061-03 E.TAO 03/11/04 APP'D: B.P 03/15/04
D	REVISED 0360-0214-04 E.TAO 8/23/04 APP'D: S.D 9/2/04

<b>DO NOT SCALE</b>	<b>tyco / Electronics</b> Attleboro Falls Massachusetts 02763		
	UNLESS OTHERWISE SPECIFIED TOLERANCES ARE:	DRAWN BY: E.TAO	DATE 03/07/03
	XX ± .010 XXX ± .005 FRACTIONS ± ANGLES ±1*	ENGINEER: S.G	DATE 03/07/03
	FILENAME 9-1542007-5	PROJECT -	SYSTEM SolidWorks

CONFIDENTIAL PROPERTY OF TYCO ELECTRONICS. NOT TO BE DISCLOSED TO OTHERS. REPRODUCED OR USED FOR ANY PURPOSES EXCEPT AS AUTHORIZED IN WRITING BY AN AUTHORIZED OFFICIAL OF TYCO. MUST BE RETURNED TO TYCO ON DEMAND, ON COMPLETION OF ORDERS OR OTHER PURPOSES FOR WHICH LENT.		TITLE: <b>RETENTION MODULE FOR XEON PROCESSOR</b>	
DIMENSIONS ARE IN: INCHES [MM]	SCALE: 3:1	TYCO PART NO: 9-1542007-5	SHEET 1 OF 1
TNRD ANGLE PROJECTION	SIZE <b>C</b>	DWG. NO. C-9-1542007-5	REV <b>D</b>

8 7 6 5 4 3 2 1