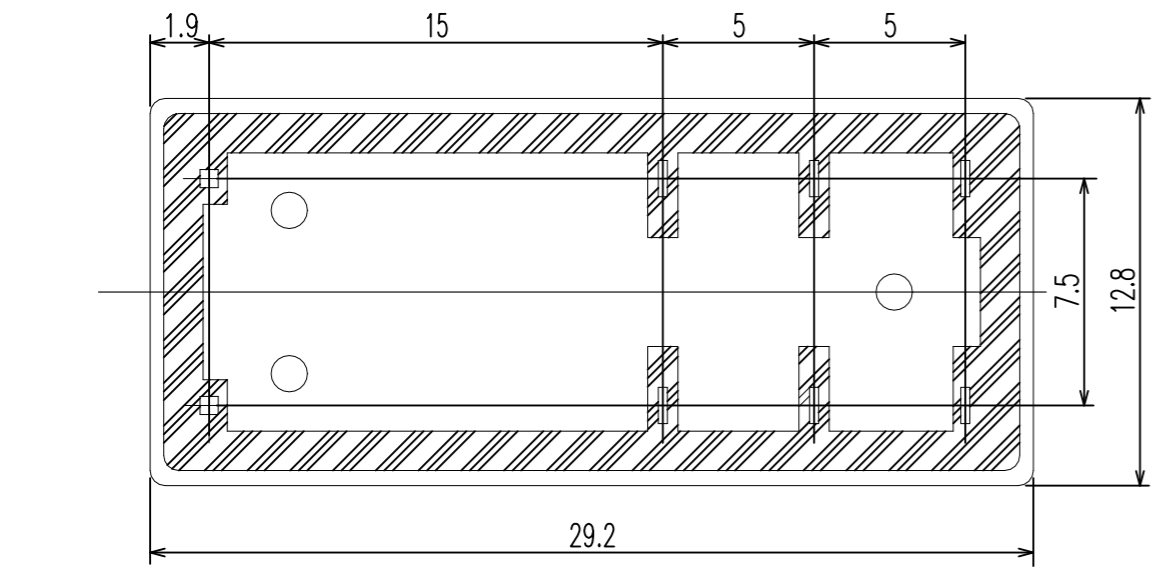
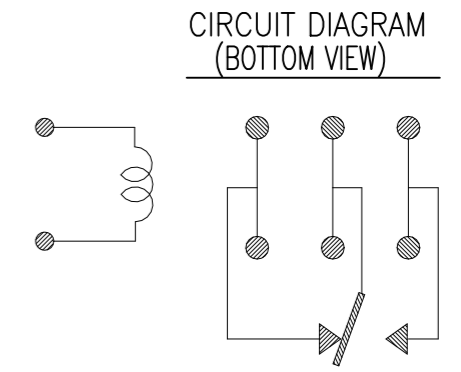
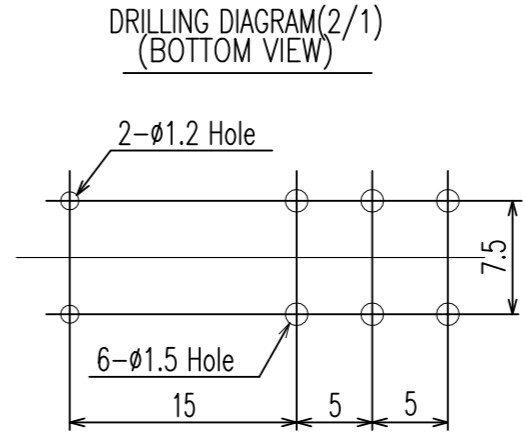
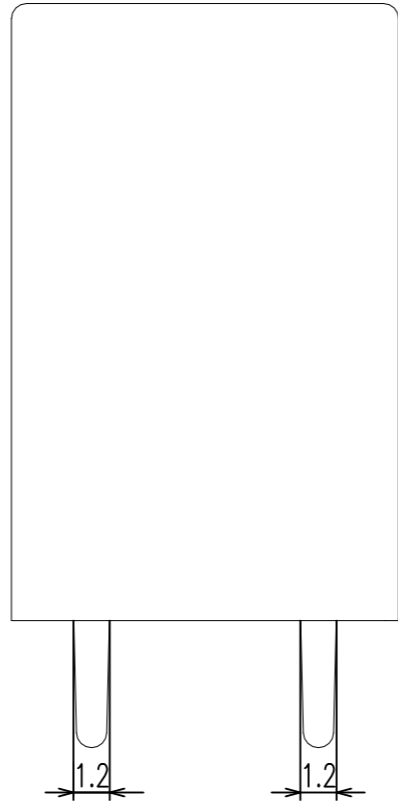
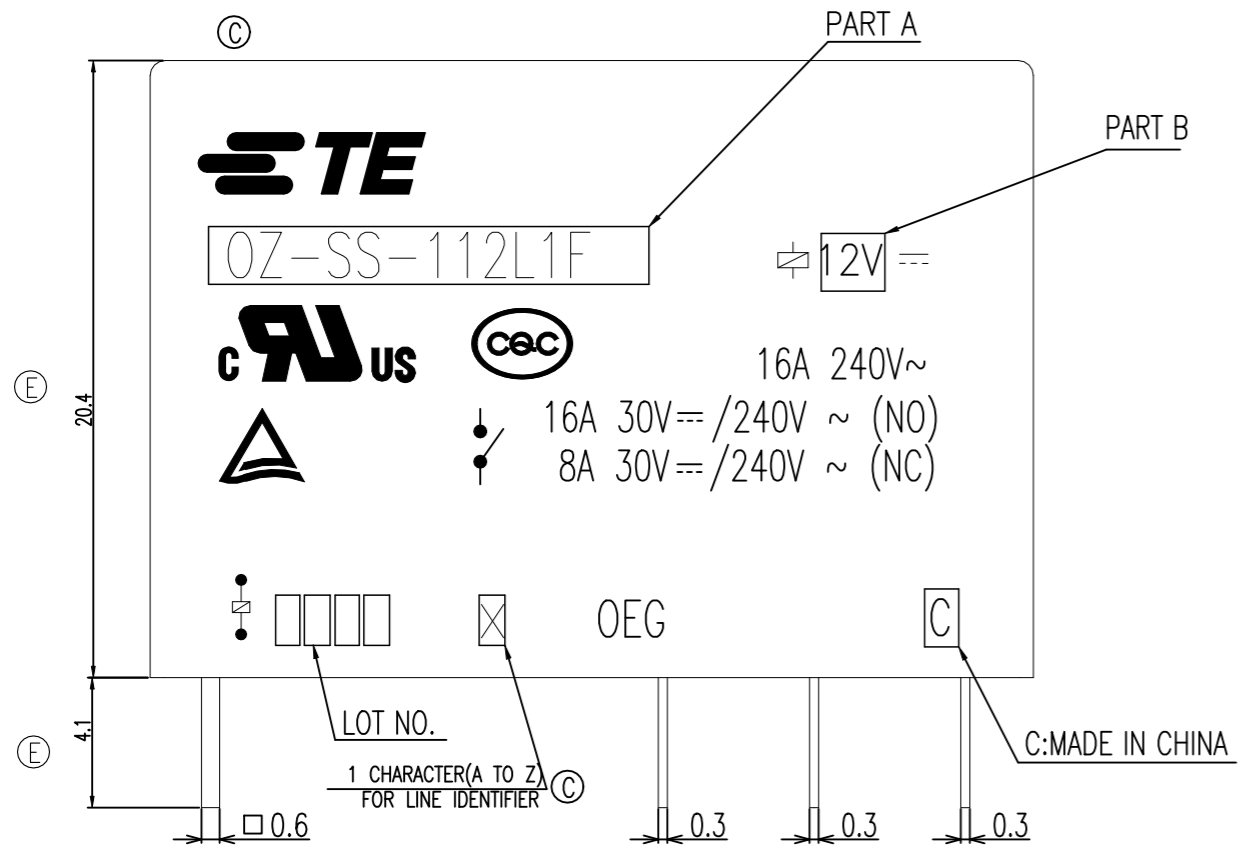
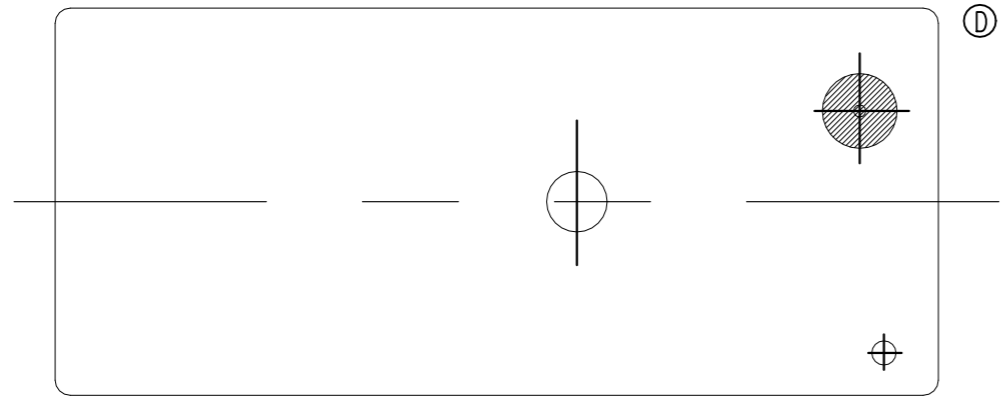


| REVISIONS |     |                  |               |           |          |
|-----------|-----|------------------|---------------|-----------|----------|
| P         | LTR | DESCRIPTION      | DATE          | DWN       | APVD     |
| E         |     | DIMENSION CHANGE | ECO-21-004260 | 10-JUN-21 | XR.L K.T |



|  |  |                   |                           |            |           |
|--|--|-------------------|---------------------------|------------|-----------|
| THIS DRAWING IS A CONTROLLED DOCUMENT. |  | DWN<br>N.FUNAYAMA | <b>TE</b> TE Connectivity |            |           |
| DIMENSIONS:<br>mm                      |  | CHK<br>T.FUKAYA   |                           |            |           |
| TOLERANCES UNLESS OTHERWISE SPECIFIED: |  | APVD<br>MJ.HO     | NAME                      |            |           |
| 0 PLC ± -                              |  | PRODUCT SPEC      | OZ CUSTOMER DRAWING       |            |           |
| 1 PLC ± -                              |  | APPLICATION SPEC  | RESTRICTED TO             |            |           |
| 2 PLC ± -                              |  | SIZE              | CAGE CODE                 | DRAWING NO |           |
| 3 PLC ± -                              |  | WEIGHT            | A3                        | 00779      | C-1649399 |
| 4 PLC ± -                              |  | CUSTOMER DRAWING  |                           |            |           |
| ANGLES ± -                             |  | SCALE             | SHEET                     | REV        |           |
| FINISH                                 |  | 1:1               | 1 OF 2                    | E          |           |

REVISIONS

| P | LTR | DESCRIPTION | DATE | DWN | APVD |
|---|-----|-------------|------|-----|------|
| - | -   | SEE SHEET 1 | -    | -   | -    |

NOTES:

1.LOT NO. SYSTEM AS FOLLOWING:

|   |   |   |   |
|---|---|---|---|
| 0 | 8 | 2 | 5 |
|---|---|---|---|

  
 WEEK  
 YEAR

2.GENERAL TOLERANCE AS FOLLOWING:

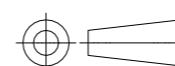
| TOLERANCE  |      |
|------------|------|
| 0~0.99mm   | ±0.1 |
| 1mm~2.99mm | ±0.2 |
| 3mm MIN.   | ±0.3 |

3.TERMINAL DIMENSION IS NOT INCLUDING SOLDER TIP.

© 4.FOR THE TIN-PLATING OF THE PINS:  
 +0.1mm FOR WIDTH,THICKNESS AND DIAMETER.  
 +0.5mm FOR LENGTH.

| 3-1649399-0 | OZ-SH-148D1  | 48V    | OZ-SH-148D1 |
|-------------|--------------|--------|-------------|
| 2-1649399-9 | OZ-SH-124D1  | 24V    | OZ-SH-124D1 |
| 2-1649399-8 | OZ-SH-118D1  | 18V    | OZ-SH-118D1 |
| 2-1649399-7 | OZ-SH-112D1  | 12V    | OZ-SH-112D1 |
| 2-1649399-6 | OZ-SH-109D1  | 9V     | OZ-SH-109D1 |
| 2-1649399-5 | OZ-SH-106D1  | 6V     | OZ-SH-106D1 |
| 2-1649399-4 | OZ-SH-105D1  | 5V     | OZ-SH-105D1 |
| 2-1649399-3 | OZ-SS-148D1  | 48V    | OZ-SS-148D1 |
| 2-1649399-2 | OZ-SS-124D1  | 24V    | OZ-SS-124D1 |
| 2-1649399-1 | OZ-SS-118D1  | 18V    | OZ-SS-118D1 |
| 2-1649399-0 | OZ-SS-112D1  | 12V    | OZ-SS-112D1 |
| 1-1649399-9 | OZ-SS-109D1  | 9V     | OZ-SS-109D1 |
| 1-1649399-8 | OZ-SS-106D1  | 6V     | OZ-SS-106D1 |
| 1-1649399-7 | OZ-SS-105D1  | 5V     | OZ-SS-105D1 |
| 1-1649399-6 | OZ-SH-148L1  | 48V    | OZ-SH-148L1 |
| 1-1649399-5 | OZ-SH-136L1  | 36V    | OZ-SH-136L1 |
| 1-1649399-4 | OZ-SH-124L1  | 24V    | OZ-SH-124L1 |
| 1-1649399-3 | OZ-SH-118L1  | 18V    | OZ-SH-118L1 |
| 1-1649399-2 | OZ-SH-112L1  | 12V    | OZ-SH-112L1 |
| 1-1649399-1 | OZ-SH-109L1  | 9V     | OZ-SH-109L1 |
| 1-1649399-0 | OZ-SH-106L1  | 6V     | OZ-SH-106L1 |
| 1649399-9   | OZ-SH-105L1  | 5V     | OZ-SH-105L1 |
| 1649399-8   | OZ-SS-148L1  | 48V    | OZ-SS-148L1 |
| 1649399-7   | OZ-SS-136L1  | 36V    | OZ-SS-136L1 |
| 1649399-6   | OZ-SS-124L1  | 24V    | OZ-SS-124L1 |
| 1649399-5   | OZ-SS-118L1  | 18V    | OZ-SS-118L1 |
| 1649399-4   | OZ-SS-112L1  | 12V    | OZ-SS-112L1 |
| 1649399-3   | OZ-SS-109L1  | 9V     | OZ-SS-109L1 |
| 1649399-2   | OZ-SS-106L1  | 6V     | OZ-SS-106L1 |
| 1649399-1   | OZ-SS-105L1  | 5V     | OZ-SS-105L1 |
| PART NO     | EC TYPE NAME | PART B | PART A      |

RELAY TYPE



| DIMENSIONS: |     | TOLERANCES UNLESS OTHERWISE SPECIFIED: |  |
|-------------|-----|--|--|
| mm          |     |  |  |
| 0 PLC       | ± - |  |  |
| 1 PLC       | ± - |  |  |
| 2 PLC       | ± - |  |  |
| 3 PLC       | ± - |  |  |
| 4 PLC       | ± - |  |  |
| ANGLES      | ± - |  |  |
| FINISH      |     |  |  |

|  |  |                   |           |                     |           |
|--|--|-------------------|-----------|---------------------|-----------|
| THIS DRAWING IS A CONTROLLED DOCUMENT. |  | DWN<br>N.FUNAYAMA | 10JUN2021 | TE Connectivity     |           |
|  |  | CHK<br>T.FUKAYA   |           |                     |           |
|  |  | APVD<br>MJ.HO     |           | NAME                |           |
|  |  | PRODUCT SPEC      |           | OZ CUSTOMER DRAWING |           |
|  |  | APPLICATION SPEC  |           | RESTRICTED TO       |           |
| MATERIAL                               |  | WEIGHT            |           | SIZE                | CAGE CODE |
|  |  |                   |           | A3                  | 00779     |
|  |  |                   |           | DRAWING NO          |           |
|  |  |                   |           | C-1649399           |           |
|  |  |                   |           | SCALE               | SHEET     |
|  |  |                   |           | 1:1                 | 2 OF 2    |
|  |  |                   |           | REV                 | E         |
| CUSTOMER DRAWING                       |  |                   |           |                     |           |

| ITEM | DESCRIPTION        | MATERIAL                 | TREATMENT  | INCOMBUSTIBILITY |
|------|--------------------|--------------------------|------------|------------------|
| 17   | UV SEAL            | UV RESIN                 |            |                  |
| 16   | SEAL               | EPOXY RESIN              |            |                  |
| 15   | HINGE SPRING       | Cu ALLOY                 |            |                  |
| 14   | CASE               | PBT                      | UL94 V-0   |                  |
| 13   | MAGNETIC WIRE      | POLYURETHANE COPPER WIRE |            |                  |
| 12   | BASE               | PET                      | UL94 V-0   |                  |
| 11   | BOBBIN             | PBT                      | UL94 V-0   |                  |
| 10   | COIL TERMINAL      | HCP WIRE                 | SOLDER DIP |                  |
| 9    | CARD               | PPS                      | UL94 V-0   |                  |
| 8    | MOVABLE CONTACT    | Ag ALLOY                 |            |                  |
| 7    | STATIONARY CONTACT | Ag ALLOY                 |            |                  |
| 6    | NC TERMINAL        | Cu ALLOY                 | SOLDER DIP |                  |
| 5    | MOVABLE SPRING     | Cu ALLOY                 | SOLDER DIP |                  |
| 4    | NO TERMINAL        | Cu ALLOY                 | SOLDER DIP |                  |
| 3    | CORE               | STEEL                    | Ni PLATED  |                  |
| 2    | ARMATURE           | STEEL                    | Ni PLATED  |                  |
| 1    | YOKE               | STEEL                    | Ni PLATED  |                  |