

A-INSP-PG11-65N-P-LG - Screw plug



1047270

<https://www.phoenixcontact.com/pc/products/1047270>

Please be informed that the data shown in this PDF document is generated from our online catalog. Please find the complete data in the user documentation. Our general terms of use for downloads are valid.

Screw plug, material for screw connection: PA, connecting thread: Pg11, color: lightgrey RAL 7035, with O-ring



Commercial data

Item number	1047270
Packing unit	10 pc
Minimum order quantity	10 pc
Product key	BF7DZX
Catalog page	Page 703 (C-2-2019)
GTIN	4055626648095
Weight per piece (including packing)	2.12 g
Weight per piece (excluding packing)	2 g
Customs tariff number	39269097
Country of origin	DE

A-INSP-PG11-65N-P-LG - Screw plug

1047270

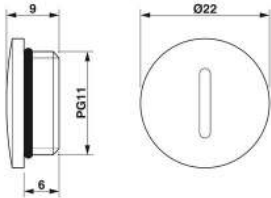
<https://www.phoenixcontact.com/pc/products/1047270>

Technical data

Product properties

Product type	Plug for cable screw gland
--------------	----------------------------

Dimensions

Dimensional drawing	
Length	9 mm
Length of the connecting thread	6 mm
Diameter	22 mm
Thread type connection side	Pg11

Material specifications

Seal material O-ring	NBR
Material for screw connection	PA

Environmental and real-life conditions

Ambient conditions

Degree of protection	IP65
Ambient temperature (operation)	-20 °C ... 100 °C

A-INSP-PG11-65N-P-LG - Screw plug

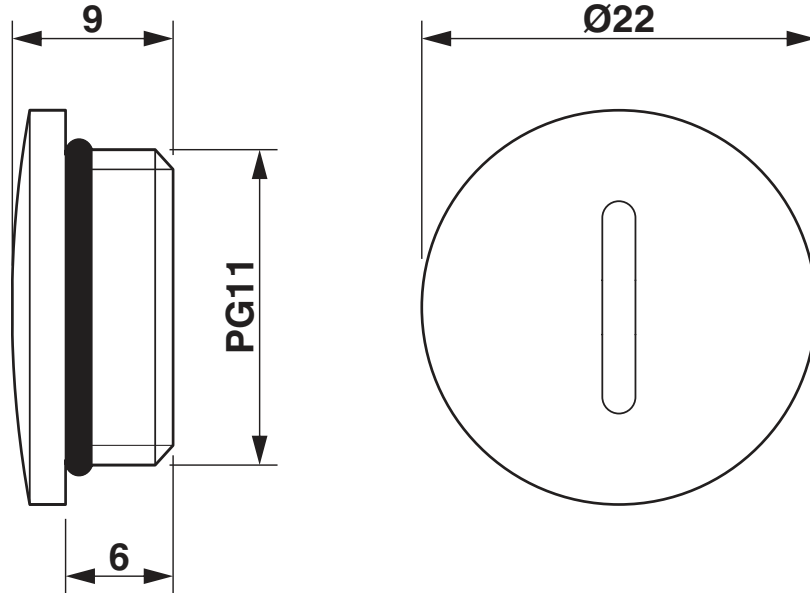


1047270

<https://www.phoenixcontact.com/pc/products/1047270>

Drawings

Dimensional drawing



Dimensional drawing

A-INSP-PG11-65N-P-LG - Screw plug



1047270

<https://www.phoenixcontact.com/pc/products/1047270>

Classifications

ECLASS

ECLASS-11.0	23111190
ECLASS-12.0	23111190
ECLASS-13.0	23111190

ETIM

ETIM 8.0	EC000032
----------	----------

UNSPSC

UNSPSC 21.0	31261500
-------------	----------

A-INSP-PG11-65N-P-LG - Screw plug



1047270

<https://www.phoenixcontact.com/pc/products/1047270>

Environmental product compliance

China RoHS	Environmentally friendly use period: unlimited = EFUP-e
	No hazardous substances above threshold values

A-INSP-PG11-65N-P-LG - Screw plug

1047270

<https://www.phoenixcontact.com/pc/products/1047270>



Accessories

A-INL-PG11-P-LG - Counter nut

1424550

<https://www.phoenixcontact.com/pc/products/1424550>

Counter nut, connecting thread: Pg11, for threads Pg11, color: light grey



Phoenix Contact 2023 © - all rights reserved
<https://www.phoenixcontact.com>

PHOENIX CONTACT GmbH & Co. KG
Flachsmarktstraße 8
D-32825 Blomberg
+49 (0) 5235-3 00
info@phoenixcontact.com