

GloTek, Inc. www.globtek.com 186 Veterans Drive, Northvale, NJ 07647 Tel. (201) 784-1000 Fax (201) 784-0111	Drawing Title: USB TYPE B SUPER SPEED to USB C MALE 3.0 compliant with Directive (EU) 2022/2380 and 2014/53/EU Radio Equipment Directive (RED), GT Cable #UL 2725 WHT (32AWG*1P+D+AL/MY)*2P+32AWG*1P+24AWG*2C+AB OD:4.3: SEE CODE / 8 Conductors, 4.3mm OD, UL 2725, 80 Deg.C, 30V, RED/WHITE/GREEN/BLACK/YELLOW/BLUE/PURPLE/ORANGE, Approvals: , 1000mm, GlobTek White	
	Model No. Low voltage cable	
	Part No./Ordering No. USBCM301M0USBBMMWHR	Rev A3

CUSTOMIZED LENGTHS, COLORS, CABLE TYPES, TERMINATIONS/PLUGS/RECEPTACLES AVAILABLE UPON REQUEST. ADDITIONAL PLUG OPTIONS ARE AVAILABLE AT <https://www.globtek.com/connectors/> STANDARD PLUGS AND CONNECTORS CAN BE SEEN ONLINE AT <https://www.globtek.com/connectors/> ACTUAL CONNECTORS, OVERMOLDS, FERRITES MAY VARY SLIGHTLY FROM THE PICTURE BELOW DIMENSIONS ARE IN MM UNLESS SPECIFIED OTHERWISE

In Addition to GlobTek Inc.'s renewed ISO9001:2008 - Quality Management System Certification, GlobTek Inc. is now certified to:

ISO13485:2003 - Medical Devices Quality Management System Certification
ISO14001:2004 - Environmental Management System Certification

ISO Certificates are available online at <https://www.globtek.com/iso-certificates/>
Prop 65 Statement:<https://en.globtek.com/prop-65-statement.pdf>

The acceptance of this specification and use of the product described in this document indicates the acceptance and binding of the customer to Globtek TERMS AND CONDITIONS (attached to the end of this document), which supersede all other agreements, terms, and conditions (<https://en.globtek.com/terms-and-conditions/>).

The purchaser of this product (Customer) agrees that it is their sole responsibility to determine suitability/fitness of the product described in this specification for their application and to take precautions for protection against any hazards attendant to the handling and use of the product.

Footnote:

GlobTek Inc. will not be liable for the safety and performance of these power supplies if unauthorized access and repair occurs. End user should consult applicable UL, CSA or EN standards for proper installation instruction.

Limitation of Use:

GlobTek products are intended for use with commercial, medical, and/or industrial equipment only. GlobTek product are not authorized for use as mission critical components in life support hazardous environment, nuclear or aircraft applications without prior written approval from the CEO of GlobTek Inc.
Contents of this document are subject to change without prior notice.

Customer Approval of Specification:

Please approve, sign and send back to GlobTek so we can complete order processing.
A delay in receipt of this form will delay delivery schedule.

Company Name: _____	Customer P/N: _____
Quote Number: _____	Date: _____
Authorized Representative Name: _____	Authorized Representative Signature: _____

GlobTek, Inc. www.globtek.com 186 Veterans Drive, Northvale, NJ 07647 Tel. (201) 784-1000 Fax (201) 784-0111	Drawing Title: USB TYPE B SUPER SPEED to USB C MALE 3.0 compliant with Directive (EU) 2022/2380 and 2014/53/EU Radio Equipment Directive (RED), GT Cable #UL 2725 WHT (32AWG*1P+D+AL/MY)*2P+32AWG*1P+24AWG*2C+AB OD:4.3: SEE CODE / 8 Conductors, 4.3mm OD, UL 2725, 80 Deg.C, 30V, RED/WHITE/GREEN/BLACK/YELLOW/BLUE/PURPLE/ORANGE, Approvals: , 1000mm, GlobTek White	
	Model No. Low voltage cable	Part No./Ordering No. USBCM301M0USBBMMWHR
		Rev A3

CUSTOMIZED LENGTHS, COLORS, CABLE TYPES, TERMINATIONS/PLUGS/RECEPTACLES AVAILABLE UPON REQUEST. ADDITIONAL PLUG OPTIONS ARE AVAILABLE AT <https://www.globtek.com/connectors/> STANDARD PLUGS AND CONNECTORS CAN BE SEEN ONLINE AT <https://www.globtek.com/connectors/> ACTUAL CONNECTORS, OVERMOLDS, FERRITES MAY VARY SLIGHTLY FROM THE PICTURE BELOW DIMENSIONS ARE IN MM UNLESS SPECIFIED OTHERWISE

REVISION HISTORY

REV	DESCRIPTION	SUB	DATE	APPROVED
A3	Change wire from (30AWG*1P+D+AL/MY)*2P+30AWG*1P+22AWG*2C+AB OD:4.3" change to "(32AWG*1P+D+AL/MY)*2P+30AWG*1P+24AWG*2C+AB OD:4.3" Add cable drawing, add signal names	QA	09/06/2022	QA
A2	Updated Cable,Added: 5Gbps Data transfer rate, 5.1k resistor between CC and ground, removed 56k resistor from USB C plug, changed wiring diagram to be more clear.	DR	12/20/2019	QA
A1	Updated Ratings, included 56K resistor info, Changed Drawing Structure. Add Overall Rating 20V 3A.	DR	09/22/2019	QA
A	Initial Release	fclif	05/03/2019	QA

Cordset Information:

CordsetColor:GlobTek White

Cord Length (mm):1000

3D File Download <https://www.globtek.com/file/dl/usb15-usb20.zip>

NOTES:

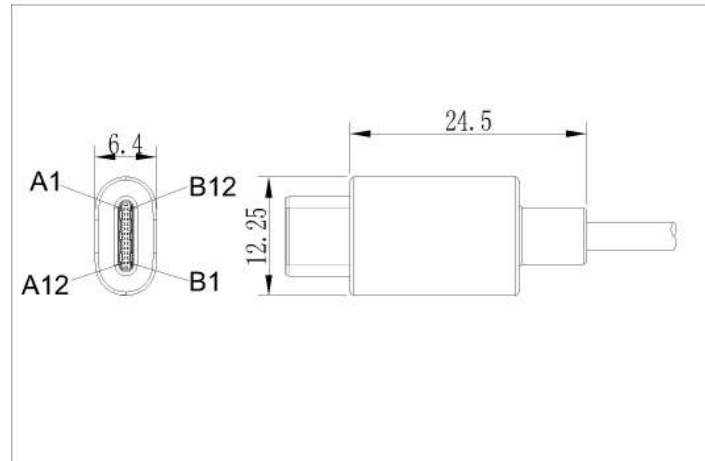
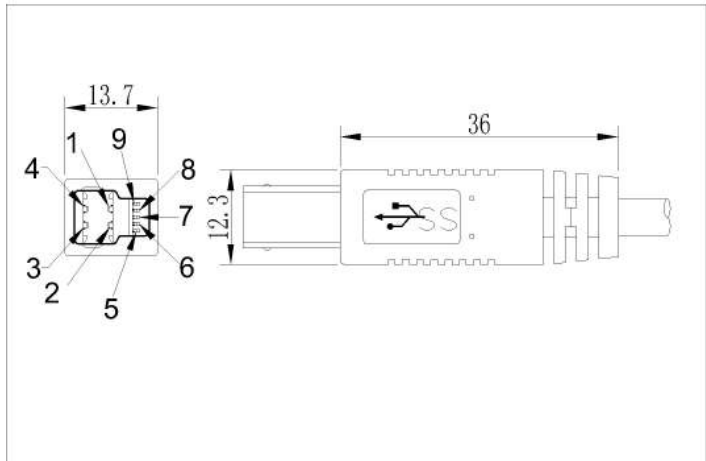
ACTUAL CONNECTORS, OVERMOLDS, FERRITES MAY VARY SLIGHTLY FROM THE PICTURE BELOW

GlobTek, Inc. www.globtek.com 186 Veterans Drive, Northvale, NJ 07647 Tel. (201) 784-1000 Fax (201) 784-0111	Drawing Title: USB TYPE B SUPER SPEED to USB C MALE 3.0 compliant with Directive (EU) 2022/2380 and 2014/53/EU Radio Equipment Directive (RED), GT Cable #UL 2725 WHT (32AWG*1P+D+AL/MY)*2P+32AWG*1P+24AWG*2C+AB OD:4.3: SEE CODE / 8 Conductors, 4.3mm OD, UL 2725, 80 Deg.C, 30V, RED/WHITE/GREEN/BLACK/YELLOW/BLUE/PURPLE/ORANGE, Approvals: , 1000mm, GlobTek White Model No. Low voltage cable Part No./Ordering No. USBCM301M0USBBMMWHR Rev A3
---	---

CUSTOMIZED LENGTHS, COLORS, CABLE TYPES, TERMINATIONS/PLUGS/RECEPTACLES AVAILABLE UPON REQUEST. ADDITIONAL PLUG OPTIONS ARE AVAILABLE AT <https://www.globtek.com/connectors/> STANDARD PLUGS AND CONNECTORS CAN BE SEEN ONLINE AT <https://www.globtek.com/connectors/> ACTUAL CONNECTORS, OVERMOLDS, FERRITES MAY VARY SLIGHTLY FROM THE PICTURE BELOW DIMENSIONS ARE IN MM UNLESS SPECIFIED OTHERWISE

END A

END B



Custom overmolds available upon request

[Mates with GlobTek USB Type C Jacks](#)

GlobTek, Inc. www.globtek.com 186 Veterans Drive, Northvale, NJ 07647 Tel. (201) 784-1000 Fax (201) 784-0111	Drawing Title: USB TYPE B SUPER SPEED to USB C MALE 3.0 compliant with Directive (EU) 2022/2380 and 2014/53/EU Radio Equipment Directive (RED), GT Cable #UL 2725 WHT (32AWG*1P+D+AL/MY)*2P+32AWG*1P+24AWG*2C+AB OD:4.3: SEE CODE / 8 Conductors, 4.3mm OD, UL 2725, 80 Deg.C, 30V, RED/WHITE/GREEN/BLACK/YELLOW/BLUE/PURPLE/ORANGE, Approvals: , 1000mm, GlobTek White
	Model No. Low voltage cable Part No./Ordering No. USBCM301M0USBBMMWHR

CUSTOMIZED LENGTHS, COLORS, CABLE TYPES, TERMINATIONS/PLUGS/RECEPTACLES AVAILABLE UPON REQUEST. ADDITIONAL PLUG OPTIONS ARE AVAILABLE AT <https://www.globtek.com/connectors/> STANDARD PLUGS AND CONNECTORS CAN BE SEEN ONLINE AT <https://www.globtek.com/connectors/> ACTUAL CONNECTORS, OVERMOLDS, FERRITES MAY VARY SLIGHTLY FROM THE PICTURE BELOW DIMENSIONS ARE IN MM UNLESS SPECIFIED OTHERWISE

End A Code:USBB Description:USB TYPE B SUPER SPEED Rating (V):30 Rating (A):3.0 Gender:Male Overmolded:Yes	Cable Code:UL 2725 WHT (32AWG*1P+D+AL/MY)*2P+32AWG*1P+24AWG*2C+AB OD:4.3 Description:GT Cable #UL 2725 WHT (32AWG*1P+D+AL/MY)*2P+32AWG*1P+24AWG*2C+AB OD:4.3: (RED) SEE CODE / 8 Conductors, 4.3mm OD, UL 2725, 80 Deg.C, 30V, Rating (V):20 RED/WHITE/GREEN/BLACK/YELLOW/BLUE/PURPLE/ORANGE,Rating (A):5.0 Approvals: Color:GlobTek White Wire Gauge(AWG):SEE CODE Cond:8 Type:UL 2725 Temperature:80° C Amps:3 Volts:30 OD:4.3 ConductorsColors: RED/WHITE/GREEN/BLACK/YELLOW/BLUE/PURPLE/ORANGE	End B Code:USBCM3.0 Description:USB C MALE 3.0 compliant with Directive (EU) 2022/2380 and 2014/53/EU Radio Equipment Directive Gender:Male Overmolded:Yes
--	---	--

Overall cable rating:20V 3A

Plug Approvals	Cable Approvals	Connector Approvals
----------------	-----------------	---------------------



UL RECOGNIZED

AGENCY ONLINE DOCUMENTS	http://www.globtek.info/certs/USB%20cables/
RoHS/RoHS3 Declaration	https://www.globtek.com/pdf/rohs_cert/01t0c000008qNJBAA2
REACH Declaration	https://www.globtek.com/pdf/iso_certificates/REACH.pdf
Conflict Minerals Declaration	https://www.globtek.com/pdf/conflict-minerals.pdf
Prop 65 Statement	https://en.globtek.com/prop-65-statement.pdf
CE.UKCA.Cord	https://globtek.secure.force.com/spec/ec_decl_product_model_family_incl_cord?id=01t0c000008qNJB

PROPRIETARY INFORMATION

PROPRIETARY OF GLOBTEK, INC. ANY REPRODUCTION, DISCLOSURE OR USE OF THIS DRAWING, IN WHOLE OR IN PART, IS HEREBY PROHIBITED EXCEPT AS SPECIFIED IN WRITING BY GLOBTEK, INC. © GlobTek, Inc. 2018 - 2023

quest /10/09/2023 1:35:54 AM CLONED FROM USBCM303M0USBBMMWHR

GloTek, Inc. www.globtek.com 186 Veterans Drive, Northvale, NJ 07647 Tel. (201) 784-1000 Fax (201) 784-0111	Drawing Title: USB TYPE B SUPER SPEED to USB C MALE 3.0 compliant with Directive (EU) 2022/2380 and 2014/53/EU Radio Equipment Directive (RED), GT Cable #UL 2725 WHT (32AWG*1P+D+AL/MY)*2P+32AWG*1P+24AWG*2C+AB OD:4.3: SEE CODE / 8 Conductors, 4.3mm OD, UL 2725, 80 Deg.C, 30V, RED/WHITE/GREEN/BLACK/YELLOW/BLUE/PURPLE/ORANGE, Approvals: , 1000mm, GlobTek White	
	Model No. Low voltage cable	
	Part No./Ordering No. USBCM301M0USBBMMWHR	Rev A3

CUSTOMIZED LENGTHS, COLORS, CABLE TYPES, TERMINATIONS/PLUGS/RECEPTACLES AVAILABLE UPON REQUEST. ADDITIONAL PLUG OPTIONS ARE AVAILABLE AT <https://www.globtek.com/connectors/> STANDARD PLUGS AND CONNECTORS CAN BE SEEN ONLINE AT <https://www.globtek.com/connectors/> ACTUAL CONNECTORS, OVERMOLDS, FERRITES MAY VARY SLIGHTLY FROM THE PICTURE BELOW DIMENSIONS ARE IN MM UNLESS SPECIFIED OTHERWISE

IPXY rating is based on 3rd party testing and customers should check suitability and test system level IPXY rating before ordering.

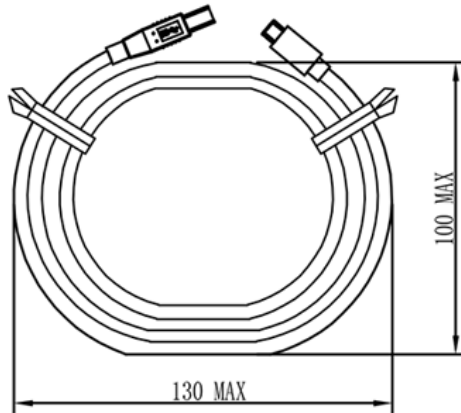
GlobTek, Inc. www.globtek.com 186 Veterans Drive, Northvale, NJ 07647 Tel. (201) 784-1000 Fax (201) 784-0111	Drawing Title: USB TYPE B SUPER SPEED to USB C MALE 3.0 compliant with Directive (EU) 2022/2380 and 2014/53/EU Radio Equipment Directive (RED), GT Cable #UL 2725 WHT (32AWG*1P+D+AL/MY)*2P+32AWG*1P+24AWG*2C+AB OD:4.3: SEE CODE / 8 Conductors, 4.3mm OD, UL 2725, 80 Deg.C, 30V, RED/WHITE/GREEN/BLACK/YELLOW/BLUE/PURPLE/ORANGE, Approvals: , 1000mm, GlobTek White	
	Model No. Low voltage cable	Part No./Ordering No. USBCM301M0USBBMMWHR
		Rev A3

CUSTOMIZED LENGTHS, COLORS, CABLE TYPES, TERMINATIONS/PLUGS/RECEPTACLES AVAILABLE UPON REQUEST. ADDITIONAL PLUG OPTIONS ARE AVAILABLE AT <https://www.globtek.com/connectors/> STANDARD PLUGS AND CONNECTORS CAN BE SEEN ONLINE AT <https://www.globtek.com/connectors/> ACTUAL CONNECTORS, OVERMOLDS, FERRITES MAY VARY SLIGHTLY FROM THE PICTURE BELOW DIMENSIONS ARE IN MM UNLESS SPECIFIED OTHERWISE

Hanking:USBCM301M0USBBMMBK

Description:

Image:



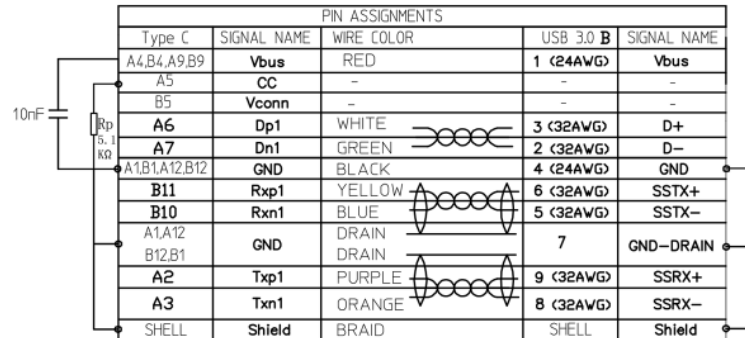
GlobTek, Inc. www.globtek.com 186 Veterans Drive, Northvale, NJ 07647 Tel. (201) 784-1000 Fax (201) 784-0111	Drawing Title: USB TYPE B SUPER SPEED to USB C MALE 3.0 compliant with Directive (EU) 2022/2380 and 2014/53/EU Radio Equipment Directive (RED), GT Cable #UL 2725 WHT (32AWG*1P+D+AL/MY)*2P+32AWG*1P+24AWG*2C+AB OD:4.3: SEE CODE / 8 Conductors, 4.3mm OD, UL 2725, 80 Deg.C, 30V, RED/WHITE/GREEN/BLACK/YELLOW/BLUE/PURPLE/ORANGE, Approvals: , 1000mm, GlobTek White	
	Model No. Low voltage cable	Part No./Ordering No. USBCM301M0USBBMMWHR
		Rev A3

CUSTOMIZED LENGTHS, COLORS, CABLE TYPES, TERMINATIONS/PLUGS/RECEPTACLES AVAILABLE UPON REQUEST. ADDITIONAL PLUG OPTIONS ARE AVAILABLE AT <https://www.globtek.com/connectors/> STANDARD PLUGS AND CONNECTORS CAN BE SEEN ONLINE AT <https://www.globtek.com/connectors/> ACTUAL CONNECTORS, OVERMOLDS, FERRITES MAY VARY SLIGHTLY FROM THE PICTURE BELOW DIMENSIONS ARE IN MM UNLESS SPECIFIED OTHERWISE

Notes/Modifications/Customizations (notes in this section supersede the values shown in the standard spec):

5Gbps Data transfer rate

5.1k resistor between CC and ground



Note:

1. Electrical test:

- (1). 100% open short & miss wire test;
- (2). Hipot: 50V DC/0.01sec;
- (3). Insulation resistance: 10M OHM (MIN);
- (4). Conductive resistance: 2 OHM (MAX);
- (5). Capacitance detection: 10nf ± 20% between A1 and A4.

Standard and custom options available with 22K (1.5A), 10K (3A), 4.7K, 12K, 36K, or others. Contact GlobTek for more info.