

INJ-24A Series

Gigabit high power IEEE 802.3af/at PoE+ injectors



- > High power mode provides up to 60 W
- > DIP switch configurator and LED indicator for PoE management
- > 3kV surge resistance for harsh environments
- > Mode A and Mode B selectable for flexible installation
- > Built-in 24/48 VDC booster for redundant dual power inputs
- > -40 to 75°C operating temperature range (T model)



Specifications

Technology

Standards:

IEEE 802.3af/at for Power-over-Ethernet
 IEEE 802.3 for 10BaseT
 IEEE 802.3u for 100BaseT(X)
 IEEE 802.3ab for 1000BaseT(X)

Interface

RJ45 Ports: 10/100/1000BaseT(X) for PoE OUT and DATA IN

PoE Pinout:

Default: V+, V+, V-, V- for pin 4, 5, 7, 8 (Midspan, MDI, Mode B)
 Custom DIP switch setting: V+, V+, V-, V- for pin 1, 2, 3, 6 (Endspan, MDI, Mode A)

LED Indicators: P1, P2, 802.3af/at, 4-pair

Power Requirements

Input Voltage: 24/48 (20 to 60 V) VDC, redundant dual inputs
Input Current: Max. 3.72A @ 24 VDC (high power 4-pair mode)
Overload Current Protection: Present
Connection: 1 removable 4-contact terminal block
Reverse Polarity Protection: Present

Physical Characteristics

Housing: Metal, IP30 protection
Dimensions: 115 × 30.3 × 78.8 mm (4.53 × 1.19 × 3.10 in)
Weight: 245 g

Installation: DIN-rail mounting, wall mounting (with optional kit)

Environmental Limits

Operating Temperature:

Standard Models: 0 to 60°C (32 to 140°F)
 Wide Temp. Models: -40 to 75°C (-40 to 167°F)

Storage Temperature: -40 to 85°C (-40 to 185°F)

Ambient Relative Humidity: 5 to 95% (non-condensing)

Standards and Certifications

Safety: UL 508

EMI: FCC Part 15 Subpart B Class A, EN 55022 Class A

EMS:

EN 61000-4-2 (ESD) Level 3, EN 61000-4-3 (RS) Level 3,
 EN 61000-4-4 (EFT) Level 3, EN 61000-4-5 (Surge) Level 3,
 EN 61000-4-6 (CS) Level 3, EN 61000-4-8

Shock: IEC 60068-2-27

Freefall: IEC 60068-2-32

Vibration: IEC 60068-2-6

Note: Please check Moxa's website for the most up-to-date certification status.

MTBF (mean time between failures)

Time: 2,407,739 hrs

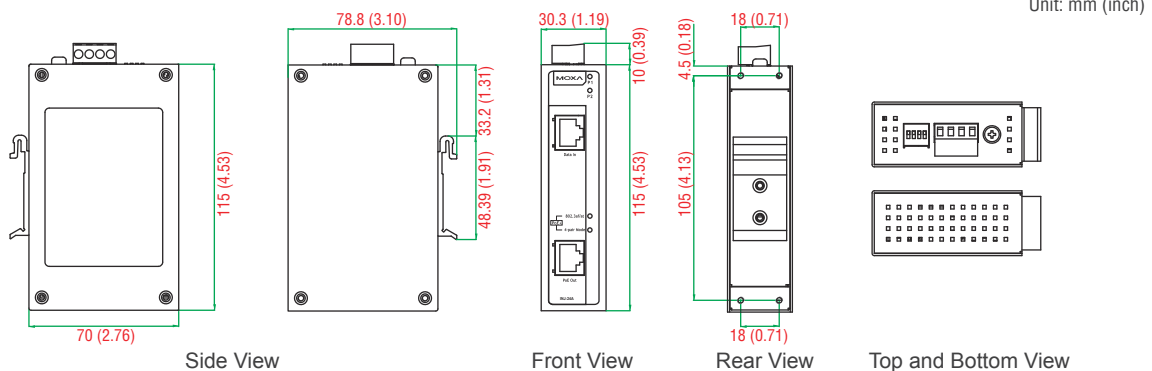
Database: Telcordia (Bellcore), GB

Warranty

Warranty Period: 5 years

Details: See www.moxa.com/warranty

Dimensions



Ordering Information

Available Models

INJ-24A: Gigabit high-power PoE+ injector, max. output of 60 W at 24/48 VDC, 0 to 60°C operating temperature

INJ-24A-T: Gigabit high power PoE+ injector, max. output of 60 W at 24/48 VDC, -40 to 75°C operating temperature

Note: 60-watt PoE is not a standardized application. Check with Moxa for product compatibility before using 60-watt PoE.

Package Checklist

- INJ-24A high power PoE+ injector
- Hardware installation guide (printed)
- Warranty card