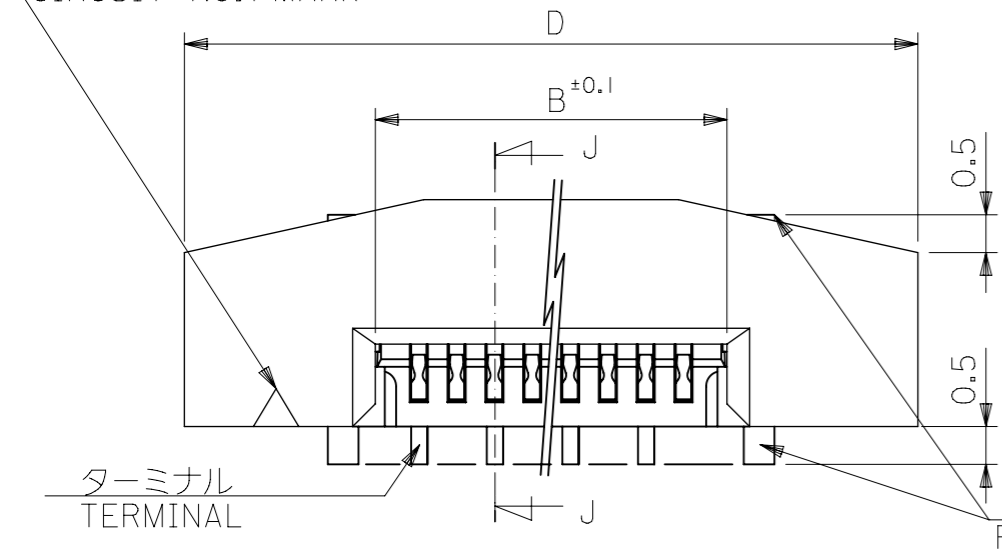


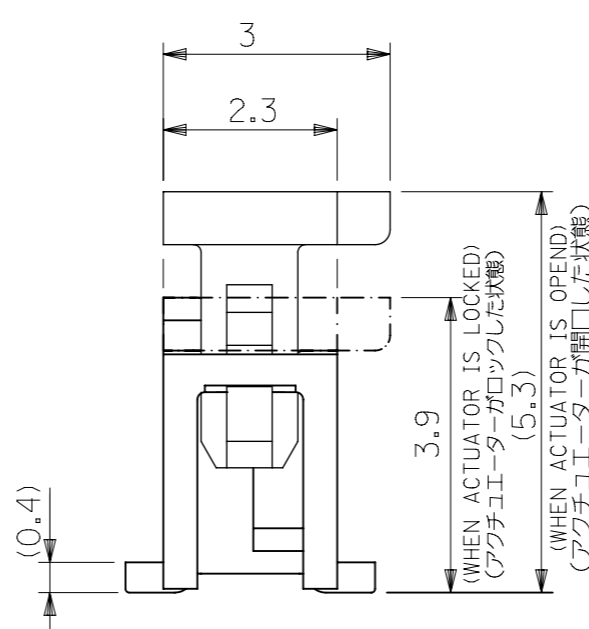
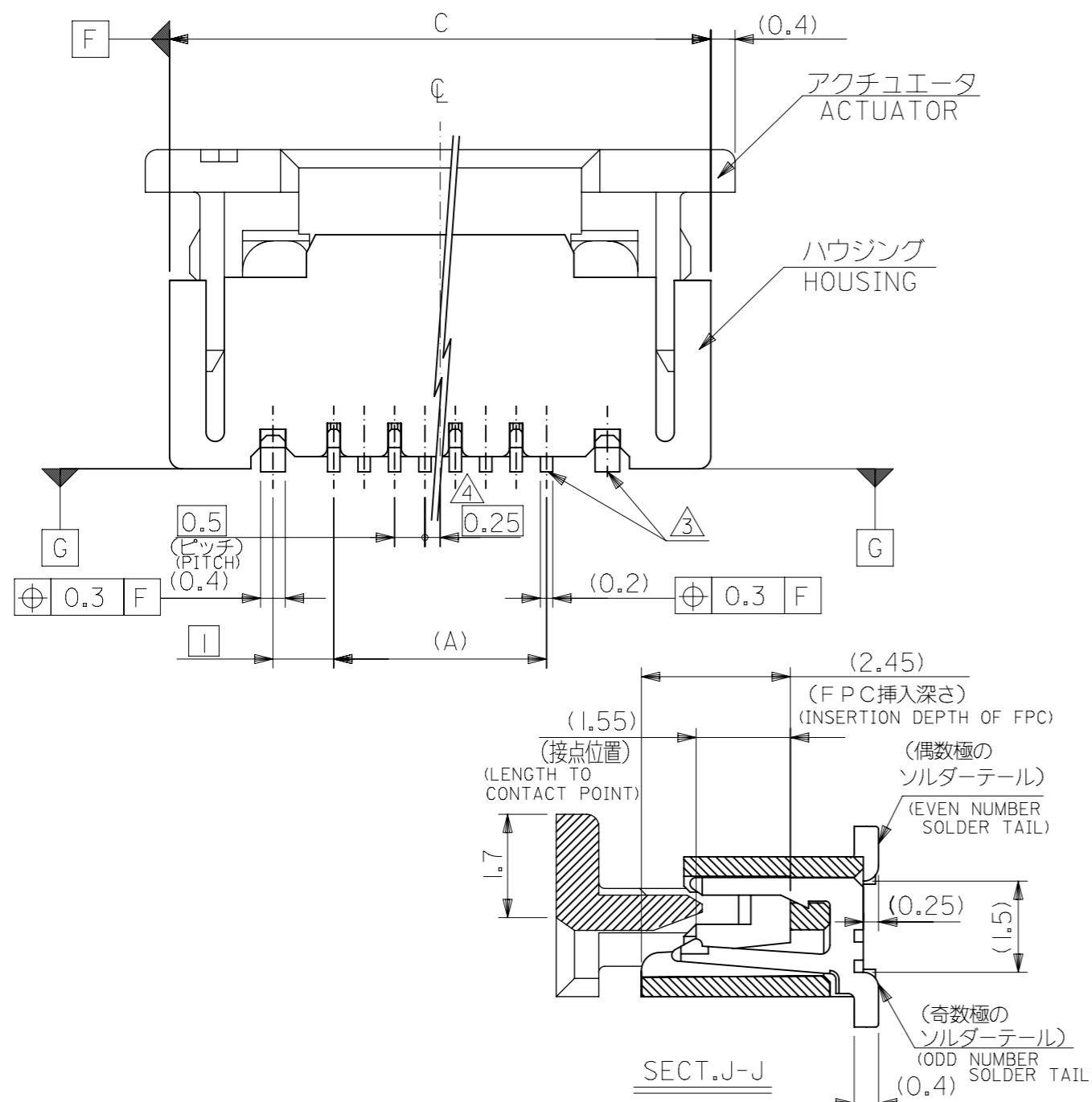
回路番号1用マーク  
CIRCUIT NO.1 MARK



1.使用材料 MATERIAL

- ハウジング : 46ナイロン、UL94V-0
- HOUSING : PA46, UL94V-0
- アクチュエータ : ポリフェニレンサルファイド ( PPS )、UL94V-0
- ACTUATOR : PPS, UL94V-0
- ターミナル : リン青銅(t=0.2) PHOS-BRO(t = 0.2)
- 接点部 金メッキ 0.1マイクロメートル以上
- CONTACT GOLD 0.1 MICROMETER MINIMUM
- 半田付け部 錫メッキ 1.0マイクロメートル以上
- TAIL TIN 1.0 MICROMETER MINIMUM
- ニッケル下地 1.0マイクロメートル以上
- NICKEL(UNDER PLATING) 1.0 MICROMETER MINIMUM
- 金具 : リン青銅(t=0.4) PHOS-BRO( t = 0.4)
- 錫メッキ 1.0マイクロメートル以上
- TIN 1.0 MICROMETER MINIMUM
- ニッケル下地 1.0マイクロメートル以上
- NICKEL(UNDER PLATING) 1.0 MICROMETER MINIMUM

- 2.エンボステープ梱包時はアクチュエータがロックした状態とする。  
IN THE PACKAGE, ACTUATOR OF PART NO.52559-\*\*-79 SHOULD BE LOCKED.
- 3.ソルダーテール半田付け面のズレ量、および金具半田付け面のズレ量は基準面 G に対し上方向 0.05MAXIMUM、下方向 0.15MAXIMUMとする。  
MISALIGNMENT OF SOLDER TAILS AND FITTING NAILS FROM DATUM-G UPPER DIRECTION : 0.05MAXIMUM, LOWER DIRECTION : 0.15 MAXIMUM.
- 4.偶数極に適用。  
APPLY FOR EVEN CIRCUIT.
- 5.パターンはく離止め金具。  
FITTING NAIL FOR PREVENTION OF PEELING OF P.W.BOARD PATTERN.
- 6.R0.3は、FPCの導体部にかからないこと  
R0.3 MUST NOT BE OVERLAPPED TO PATTERN OF FPC.



25.7	24.9	20.65	19.5	52559-4079	40
23.7	22.9	18.65	17.5	52559-3679	36
22.2	21.4	17.15	16.0	52559-3379	33
21.7	20.9	16.65	15.5	52559-3279	32
20.7	19.9	15.65	14.5	52559-3079	30
19.7	18.9	14.65	13.5	52559-2879	28
19.2	18.4	14.15	13.0	52559-2779	27
18.7	17.9	13.65	12.5	52559-2679	26
18.2	17.4	13.15	12.0	52559-2579	25
17.7	16.9	12.65	11.5	52559-2479	24
17.2	16.4	12.15	11.0	52559-2379	23
16.7	15.9	11.65	10.5	52559-2279	22
16.2	15.4	11.15	10.0	52559-2179	21
15.7	14.9	10.65	9.5	52559-2079	20
14.7	13.9	9.65	8.5	52559-1879	18
14.2	13.4	9.15	8.0	52559-1779	17
13.7	12.9	8.65	7.5	52559-1679	16
13.2	12.4	8.15	7.0	52559-1579	15
12.7	11.9	7.65	6.5	52559-1479	14
12.2	11.4	7.15	6.0	52559-1379	13
11.7	10.9	6.65	5.5	52559-1279	12
10.7	9.9	5.65	4.5	52559-1079	10
10.2	9.4	5.15	4.0	52559-0979	9
9.7	8.9	4.65	3.5	52559-0879	8
8.7	7.9	3.65	2.5	52559-0679	6
D	C	B	(A)	CONNECTOR SERIES NO.	極数 CKT.

ORDER NO. 52559-\*\*52/-\*\*53/-\*\*54/-\*\*56

GENERAL TOLERANCES (UNLESS SPECIFIED)	
10 UNDER	± 0.2
10 OVER 30 UNDER	± 0.25
30 OVER	± 0.3
ANGULAR ± 3 °	
DRAFT WHERE APPLICABLE MUST REMAIN WITHIN DIMENSIONS	

THIS DRAWING CONTAINS INFORMATION THAT IS PROPRIETARY TO MOLEX ELECTRONIC TECHNOLOGIES, LLC AND SHOULD NOT BE USED WITHOUT WRITTEN PERMISSION

CURRENT REV DESC:

EC NO: 600082  
DRWN: YCHEN128 2018/03/02  
CHK'D: KTAKAHASHI 2018/03/14  
APPR: NUKITA 2018/03/14

INITIAL REVISION:  
DRWN: MNABEI 2004/07/14  
APPR: NUKITA 2004/07/14

THIRD ANGLE PROJECTION

DRAWING: A3-SIZE  
SERIES: 52559

**molex**

0.5 FPC CONN ASSY ZIF. -LEAD FREE-

PRODUCT CUSTOMER DRAWING

DOCUMENT NUMBER: SD-52559-048  
DOC TYPE: PSD  
DOC PART: 001  
REVISION: E

MATERIAL NUMBER: SEE TABLE  
CUSTOMER: GENERAL MARKET  
SHEET NUMBER: 1 OF 2

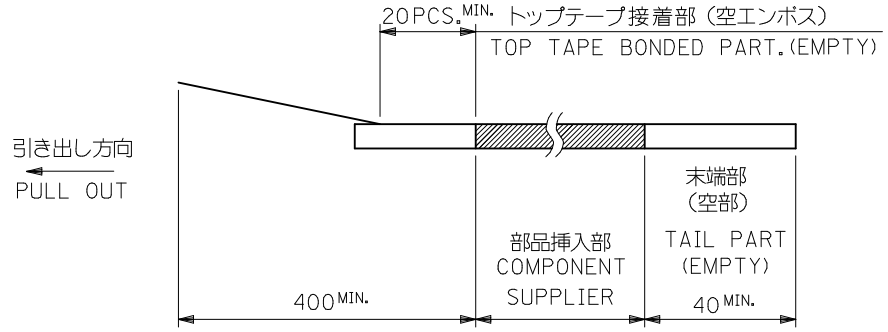


注記 NOTES

1. 製品番号52559-\*\*79の梱包状態はアクチュエータがロックした状態とする。  
 詳細寸法については、図面 SD-52559-048を参照下さい。  
 IN THE PACKAGE, ACTUATOR OF PART NO.52559-\*\*79 SHOULD BE LOCKED.  
 REFFER DETAILED DIMENSIONS, SEE SD-52559-048

2. 梱包数量:1000/リール  
 THE NUMBER OF PAKAGED CONNECTORS : 1000 PIECES/REEL

3. リードテープ長さ LEAD TAPE LENGTH

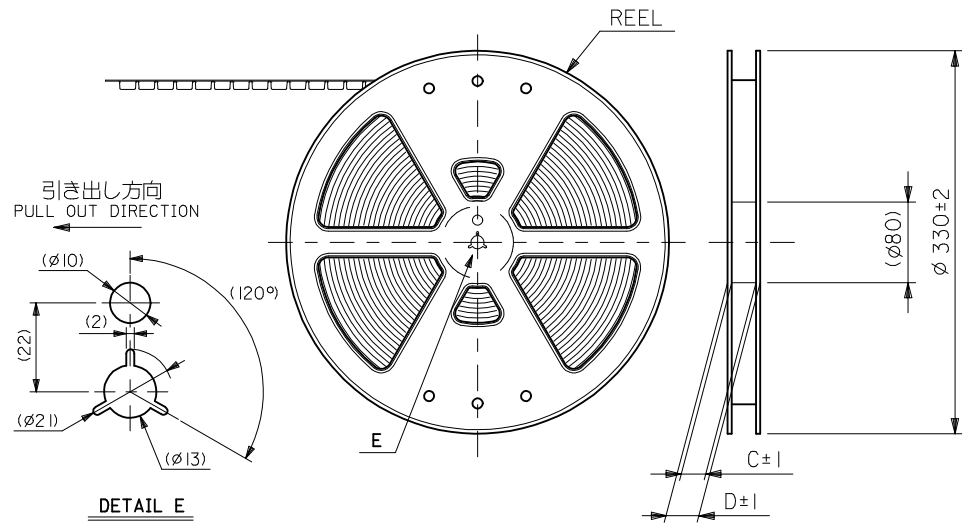


4. 材料  
 キャリアテープ: ポリアプロピレン(PP)  
 トップテープ: PET, PE, PEF  
 リール: ポリスチレン(PS) <リサイクル材を含む>

MATERIAL CARRIER TAPE:POLYPROPYLENE  
 TOP TAPE:PET,PE,PEF  
 REEL:POLYSTYRENE (PS)  
 <RECYCLE MATERIAL CONTAINED>

5. 本製品は52559-\*\*52の梱包違い品である。(シリカゲル入り、ハイバリア梱包対応)  
 THIS PRODUCT IS PACKAGING DIFERNCE OF 52559-\*\*52.  
 (HIGH-BARRIER PACKAGE INCLUDING SILICAGEL)

6. ELV AND RoHS COMPLIANT.



REVISED EC NO: J2013-0962 DRWN:TMORISHITA 2013/03/01 CHKD:KAKAHASHI 2013/03/01 APPR:KMORIKAWA 2013/03/26	DESCRIPTION REV A	GENERAL TOLERANCES (UNLESS SPECIFIED)		DIMENSION STYLE MM ONLY		SCALE ---	DESIGN UNITS METRIC	THIRD ANGLE PROJECTION	
		10 UNDER	$\pm 0.2$	DRAWN BY T.KON	DATE 2007/11/20	TITLE 0.5 FPC CONN ASSY ZIF SMT ST EMBSTP PKG -HIGH BARRIER PACKAGE-			
		10 OVER 30 UNDER	$\pm 0.25$	CHECKED BY H.MATSUMOTO	DATE 2007/11/20	<b>molex</b> SD-52559-053			
		30 OVER	$\pm 0.3$	APPROVED BY N.UKITA	DATE 2007/11/20				
ANGULAR $\pm 3^\circ$		DRAFT WHERE APPLICABLE MUST REMAIN WITHIN DIMENSIONS		MATERIAL NO. SEE CHART		THIS DRAWING CONTAINS INFORMATION THAT IS PROPRIETARY TO MOLEX INCORPORATED AND SHOULD NOT BE USED WITHOUT WRITTEN PERMISSION			

F

E

D

C

B

A

F

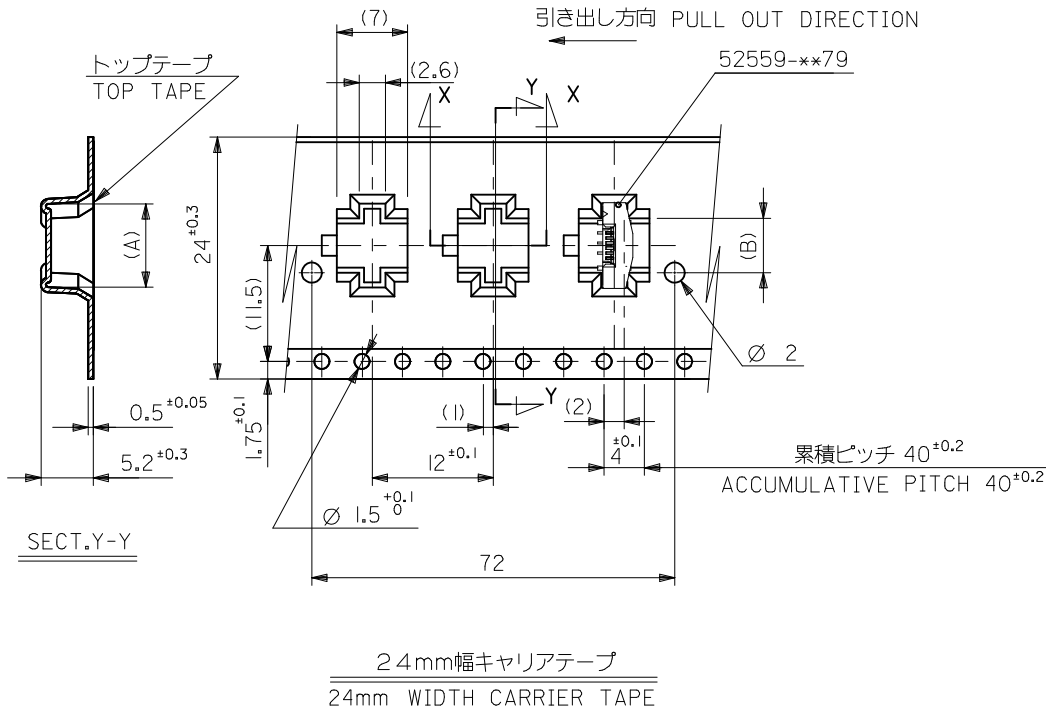
E

D

C

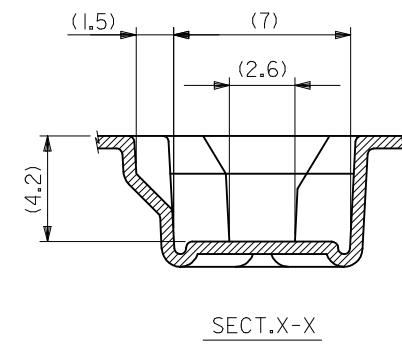
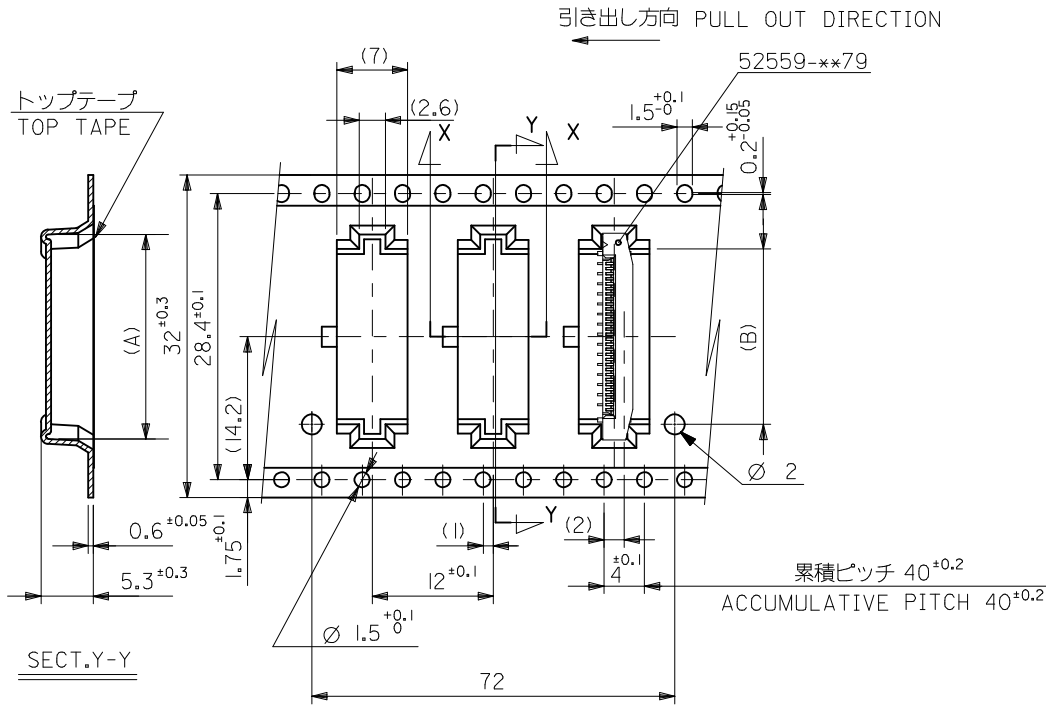
B

A



24	29.4	25.4	(B)	(A)	52559-2454	24
			(B)	(A)	52559-2354	23
			(B)	(A)	52559-2154	21
			(B)	(A)	52559-2054	20
			(B)	(A)	52559-1754	17
			(B)	(A)	52559-1654	16
			(B)	(A)	52559-1554	15
			(B)	(A)	52559-1454	14
			(B)	(A)	52559-1254	12
			(B)	(A)	52559-1054	10
(B)	(A)	52559-0954	9			
(B)	(A)	52559-0654	6			
キャリアテープ幅 CARRIER TAPE WIDTH	D	C	(B)	(A)	MATERIAL NO.	CIRCUIT NO.

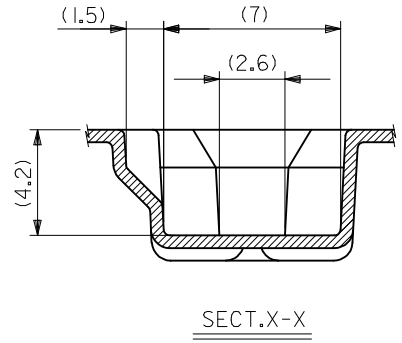
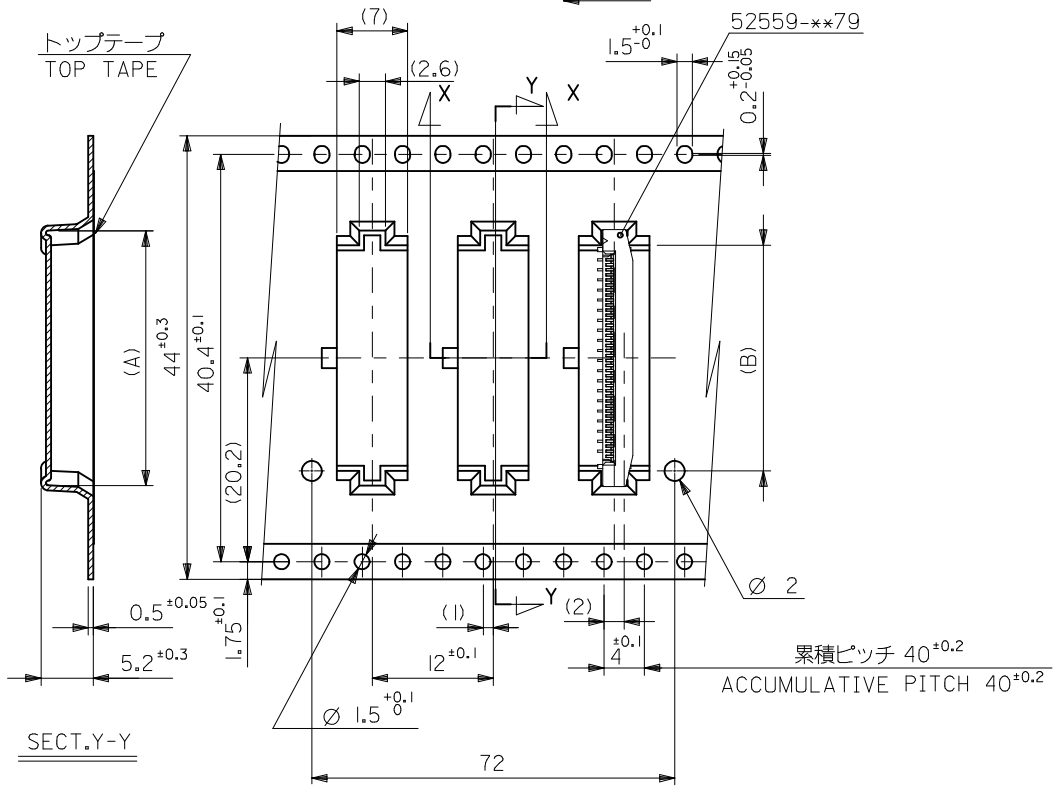
REVISED EC NO: J2013-0962 DRWN: TMORISHITA 2013/03/01 CHKD: TAKAHASHI 2013/03/01 APPR: KMORIKAWA 2013/03/26	DESCRIPTION GENERAL TOLERANCES (UNLESS SPECIFIED)	10 UNDER	±0.2	DIMENSION STYLE <b>MM ONLY</b>	SCALE ---	DESIGN UNITS METRIC	THIRD ANGLE PROJECTION		
		10 OVER 30 UNDER	±0.25						
		30 OVER	±0.3	DRAWN BY T.KON	DATE 2007/11/20	TITLE 0.5 FPC CONN ASSY ZIF SMT ST EMBSTP PKG -HIGH BARRIER PACKAGE-			
		ANGULAR ±3 ° DRAFT WHERE APPLICABLE MUST REMAIN WITHIN DIMENSIONS	APPROVED BY N.UKITA	DATE 2007/11/20	MATERIAL NO. SEE CHART				DOCUMENT NO. SD-52559-053
SIZE A3	THIS DRAWING CONTAINS INFORMATION THAT IS PROPRIETARY TO MOLEX INCORPORATED AND SHOULD NOT BE USED WITHOUT WRITTEN PERMISSION								



32	37.4	33.4	18.4	21.3	52559-3254	32
			17.4	20.3	52559-3054	30
			16.4	19.3	52559-2854	28
			15.9	18.8	52559-2754	27
			15.4	18.3	52559-2654	26
キャリアテープ幅 CARRIER TAPE WIDTH	D	C	(B)	(A)	MATERIAL NO.	CIRCUIT NO.

REVISED EC NO: J2013-0962 DRWN: TMORISHITA 2013/03/07 CHKD: TAKAHASHI 2013/03/07 APPR: KMORIKAWA 2013/03/26	DESCRIPTION 10 UNDER ±0.2 10 OVER 30 UNDER ±0.25 30 OVER ±0.3 ANGULAR ±3 ° DRAFT WHERE APPLICABLE MUST REMAIN WITHIN DIMENSIONS	GENERAL TOLERANCES (UNLESS SPECIFIED)		DIMENSION STYLE MM ONLY	SCALE ---	DESIGN UNITS METRIC	THIRD ANGLE PROJECTION		
		DRAWN BY T.KON	DATE 2007/11/20	TITLE 0.5 FPC CONN ASSY ZIF SMT ST EMBSTP PKG -HIGH BARRIER PACKAGE-					
		CHECKED BY H.MATSUMOTO	DATE 2007/11/20	molex					
		APPROVED BY N.UKITA	DATE 2007/11/20						
MATERIAL NO. SEE CHART		DOCUMENT NO. SD-52559-053		SHEET NO. 3 OF 4					
THIS DRAWING CONTAINS INFORMATION THAT IS PROPRIETARY TO MOLEX INCORPORATED AND SHOULD NOT BE USED WITHOUT WRITTEN PERMISSION									

引き出し方向 PULL OUT DIRECTION



44mm幅キャリアテープ  
44mm WIDTH CARRIER TAPE

44	49.4	45.4	22.4	25.3	52559-4054	40
キャリアテープ幅 CARRIER TAPE WIDTH	D	C	(B)	(A)	52559-3654	36
					MATERIAL NO.	CIRCUIT NO.

REVISED EC NO: J2013-0962 DRWN: TMORISHITA 2013/03/07 CHKD: KTAKAHASHI 2013/03/07 APPR: KMORIKAWA 2013/03/26 REV A	DESCRIPTION GENERAL TOLERANCES (UNLESS SPECIFIED) 10 UNDER ±0.2 10 OVER 30 UNDER ±0.25 30 OVER ±0.3 ANGULAR ±3 ° DRAFT WHERE APPLICABLE MUST REMAIN WITHIN DIMENSIONS	DIMENSION STYLE MM ONLY	SCALE ---	DESIGN UNITS METRIC	THIRD ANGLE PROJECTION		
		DRAWN BY T.KON	DATE 2007/11/20	TITLE 0.5 FPC CONN ASSY ZIF SMT ST EMBSTP PKG -HIGH BARRIER PACKAGE-			
		CHECKED BY H.MATSUMOTO	DATE 2007/11/20	molex SEE CHART SD-52559-053			
		APPROVED BY N.UKITA	DATE 2007/11/20				
		MATERIAL NO. SEE CHART	DOCUMENT NO. SD-52559-053	SHEET NO. 4 OF 4			
		SIZE A3	THIS DRAWING CONTAINS INFORMATION THAT IS PROPRIETARY TO MOLEX INCORPORATED AND SHOULD NOT BE USED WITHOUT WRITTEN PERMISSION				