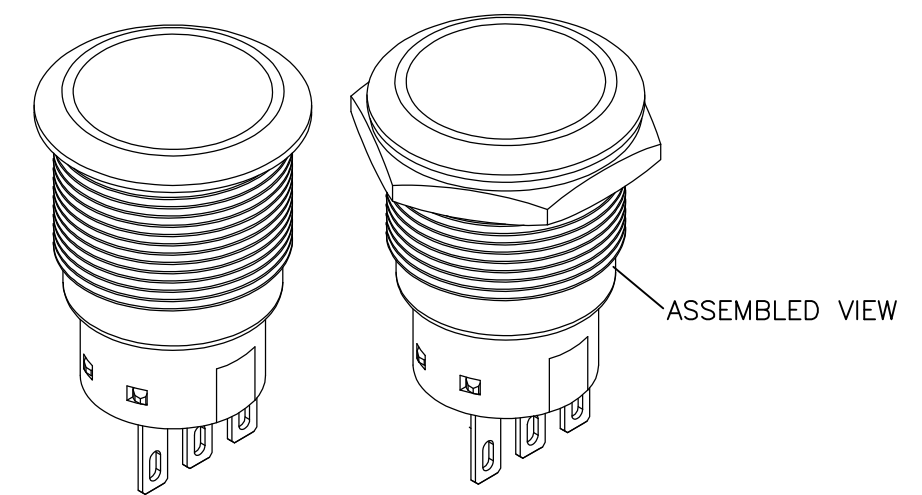
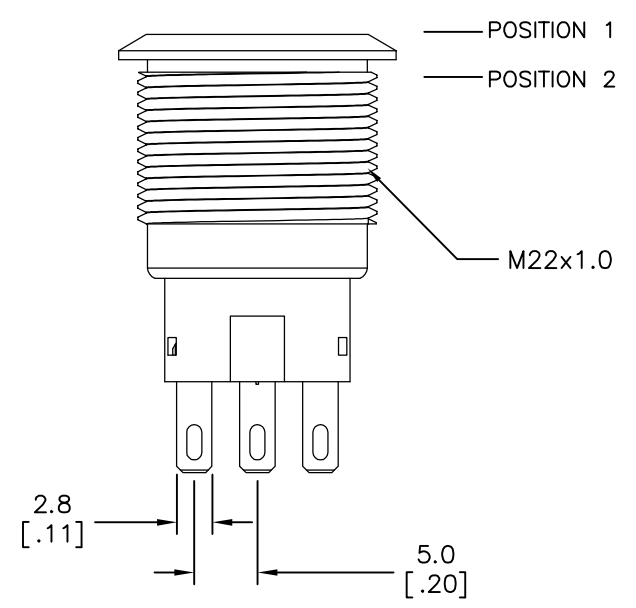
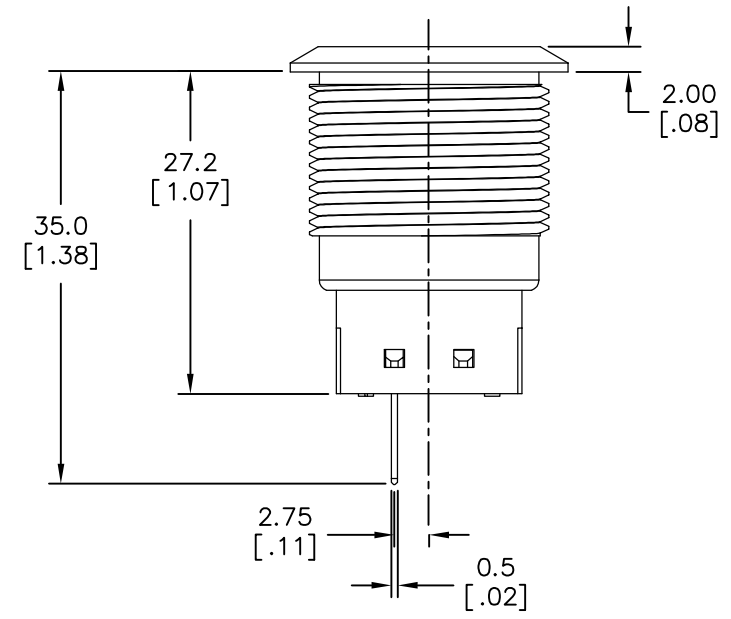
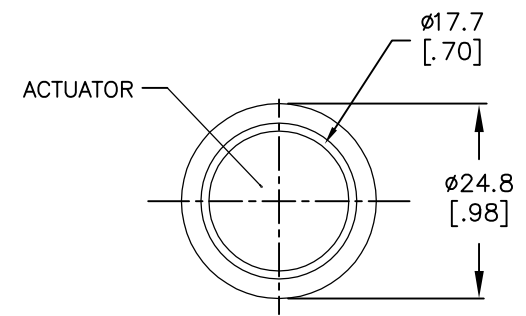
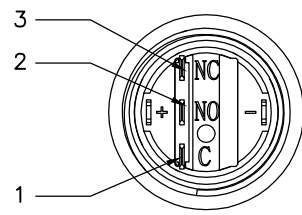
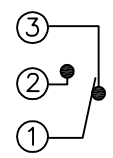


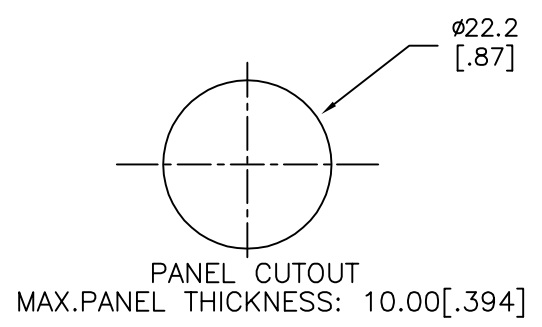
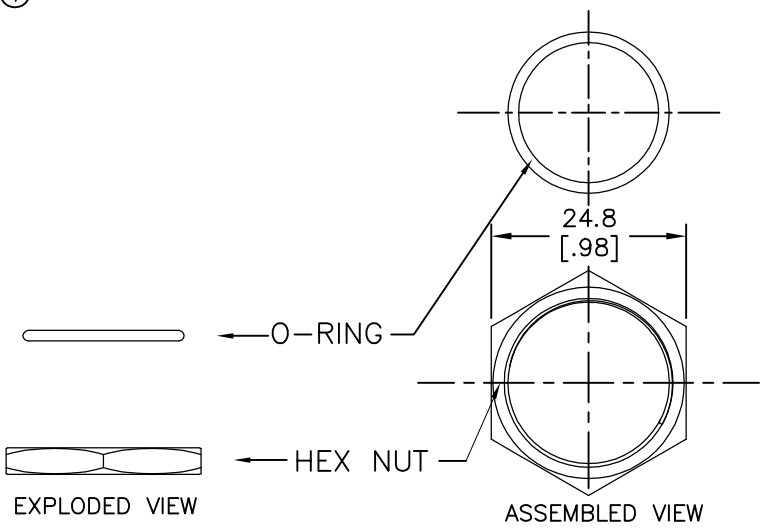
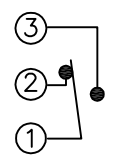
REVISIONS					
P	LTR	DESCRIPTION	DATE	DWN	APVD
B1		REVISED PER ECR-16-009232	29JUN2016	RS	SS



POSITION 1



POSITION 2



SPECIFICATIONS

CONTACT RATING: SILVER: 3A @ 250 VAC RESISTIVE
 GOLD: 0.4VA @ 20VDC OR PEAK AC
 INSULATION RESISTANCE: 1,000MΩ MIN AT 500VDC
 DIELECTRIC STRENGTH: 2,000V RMS @ SEA LEVEL
 CONTACT RESISTANCE: 50 mΩ MAX @ 1A 12VDC (INITIAL VALUE)
 ELECTRICAL LIFECYCLES: 50,000 MAKE AND BREAK CYCLES AT FULL LOAD

ACTUATION FORCE: SP: 2.5±1 NEWTON, DP: 3.5±1 NEWTON
 ACTUATION TRAVEL: 3.2mm
 SEALED PER IP67, IK10 (STAINLESS)
 OPERATING TEMPERATURE: -20°C TO +55°C
 MECHANICAL LIFECYCLES: MOMENTARY: 1,000,000 CYCLES
 LOCKING: 500,000 CYCLES
 HARDWARE TORQUE: 5-14 N·m

MATERIALS

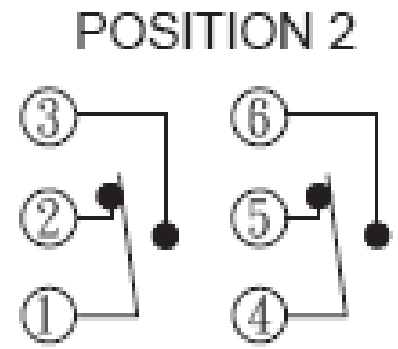
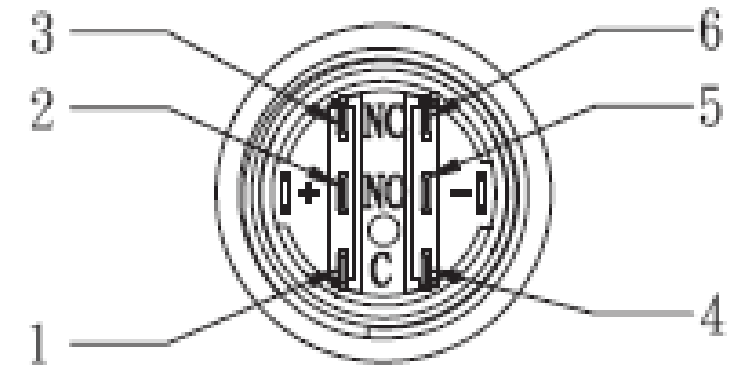
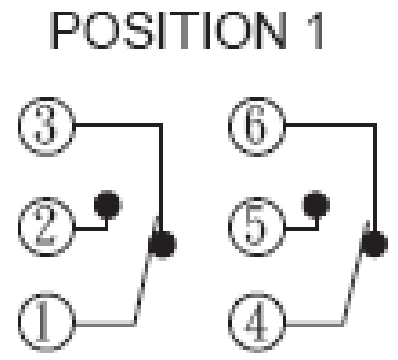
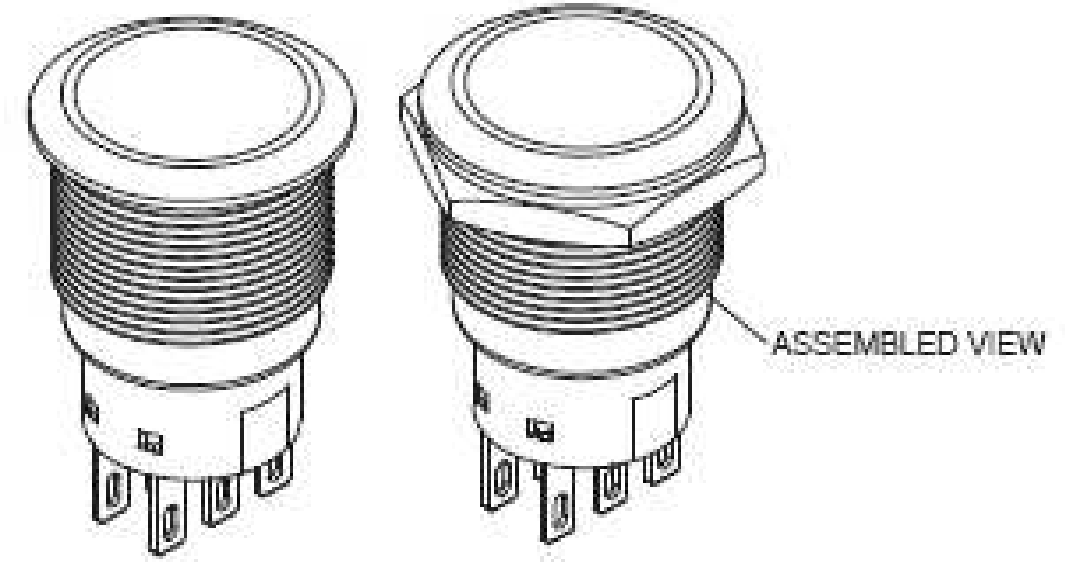
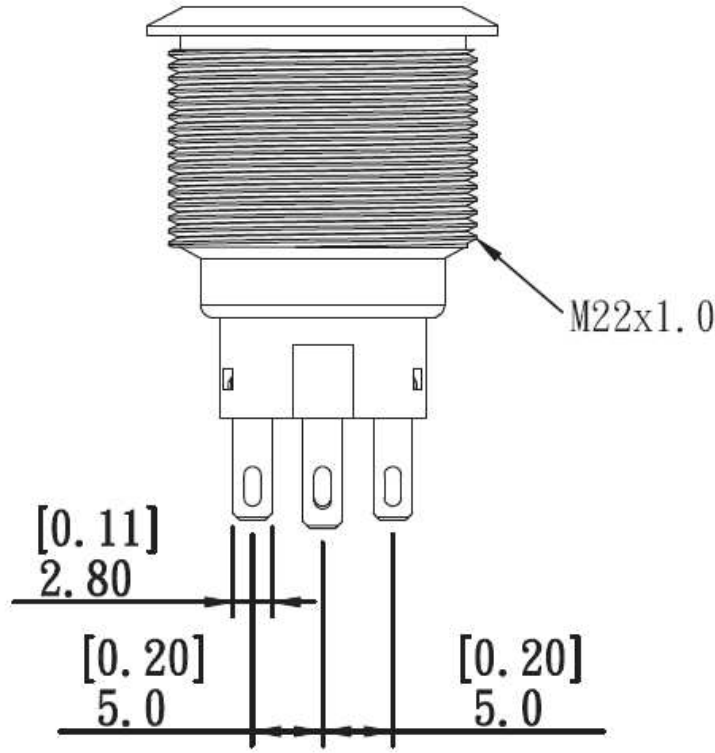
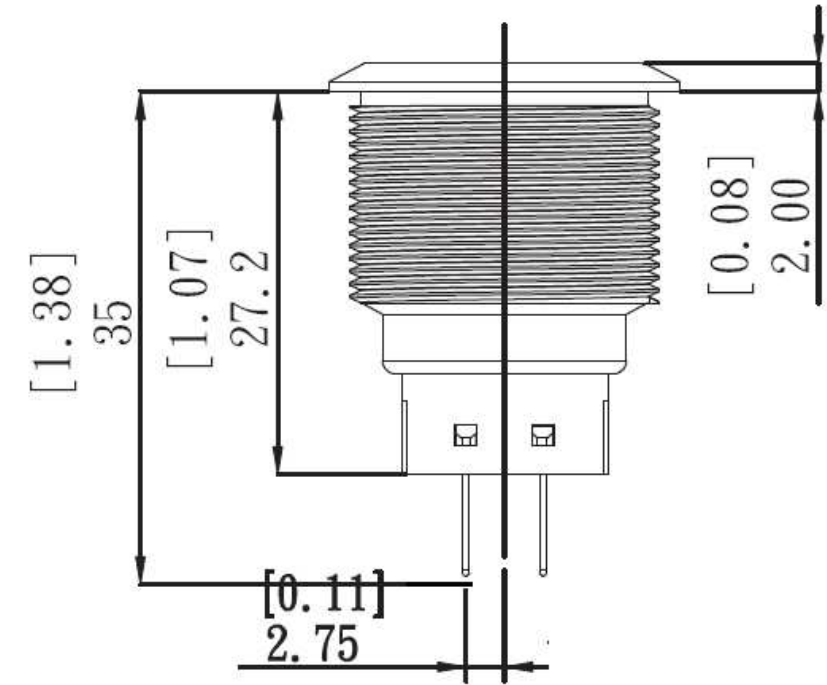
BUSHING: STAINLESS STEEL
 BASE: PBT (UL 94-V0), PC (UL 94-V2)
 ACTUATOR: STAINLESS STEEL, PC
 SEALING: O-RING (SILICONE)
 TERMINAL/CONTACT: COPPER BASE, SILVER/GOLD PLATED
 HEX NUT: BRASS BASE, NICKEL PLATED

1 ALL MATERIAL AND FINISHES SHALL COMPLY WITH EU DIRECTIVE 2002/95/EC OF 27JAN2003 (ROHS)

THIS DRAWING IS A CONTROLLED DOCUMENT.		DWN NAGALAKSHMI K	09FEB2016	STE TE Connectivity	
		CHK HILL RYAN	09FEB2016		
DIMENSIONS: mm [INCHES]		APVD HILL RYAN		NAME	
TOLERANCES UNLESS OTHERWISE SPECIFIED:		PRODUCT SPEC		ANTI-VANDAL SWITCH 22mm NO LED	
0 PLC ± -		APPLICATION SPEC		SIZE CAGE CODE DRAWING NO	
1 PLC ± -		WEIGHT		RESTRICTED TO	
2 PLC ± -		0		A2 00779 C-2213771	
3 PLC ± -		CUSTOMER DRAWING		SCALE 8:1 SHEET 1 OF 3 REV B1	
4 PLC ± -					
ANGLES ± -					
FINISH					

THIS DRAWING IS UNPUBLISHED. RELEASED FOR PUBLICATION
 © COPYRIGHT - By - ALL RIGHTS RESERVED.

REVISIONS				
P	LTR	DESCRIPTION	DATE	APVD
-	-	SEE SHEET 1	-	-



THIS DRAWING IS A CONTROLLED DOCUMENT.		DWN NAGALAKSHMI K 09FEB2016	STE TE Connectivity	
DIMENSIONS: mm [INCHES]		CHK HILL RYAN 09FEB2016		
TOLERANCES UNLESS OTHERWISE SPECIFIED:		APVD HILL RYAN 09FEB2016	NAME	
0 PLC ± -		PRODUCT SPEC	ANTI-VANDAL SWITCH 22mm NO LED	
1 PLC ± -		APPLICATION SPEC	SIZE	CAGE CODE
2 PLC ± -		WEIGHT	A2	00779
3 PLC ± -		CUSTOMER DRAWING	DRAWING NO C-2213771	
4 PLC ± -		SCALE	NTS	SHEET
ANGLES ± -		RESTRICTED TO	2 of 3	
FINISH		REV	B1	

4

3

2

1

THIS DRAWING IS UNPUBLISHED. RELEASED FOR PUBLICATION
 © COPYRIGHT - SEE SHEET 1 ALL RIGHTS RESERVED.

REVISIONS					
P	LTR	DESCRIPTION	DATE	DWN	APVD
-	-	SEE SHEET 1	-	-	-

D

D

C

C

B


B

A

A

2213771

DOUBLE POLE -LOCKING	GOLD	-	-	AV2221000R04	2213771-8
	SILVER	-	-	AV2221000Q04	2213771-7
DOUBLE POLE- MOMENTARY	GOLD	-	-	AV2220000R04	2213771-6
	SILVER	-	-	AV2220000Q04	2213771-5
SINGLE POLE- LOCKING	GOLD	-	-	AV2211000R04	2213771-4
	SILVER	-	-	AV2211000Q04	2213771-3
SINGLE POLE- MOMENTARY	GOLD	-	-	AV2210000R04	2213771-2
	SILVER	-	-	AV2210000Q04	2213771-1
POLE/THROW	CONTACT	LED COLOUR	LED VOLTAGE	TE DESCRIPTIVE PN	TE PART NUMBER

THIS DRAWING IS A CONTROLLED DOCUMENT.		DWN NAGALAKSHMI K 09FEB2016	 TE Connectivity		
DIMENSIONS: mm [INCHES]		CHK HILL RYAN 09FEB2016			
TOLERANCES UNLESS OTHERWISE SPECIFIED:		APVD HILL RYAN 09FEB2016	NAME		
0 PLC ± -		PRODUCT SPEC			
1 PLC ± -		APPLICATION SPEC			
2 PLC ± -		SIZE CAGE CODE DRAWING NO RESTRICTED TO			
3 PLC ± -		A2 00779 C-2213771			
4 PLC ± -		CUSTOMER DRAWING SCALE NTS SHEET 3 of 3 REV B1			
ANGLES ± -					
FINISH					