

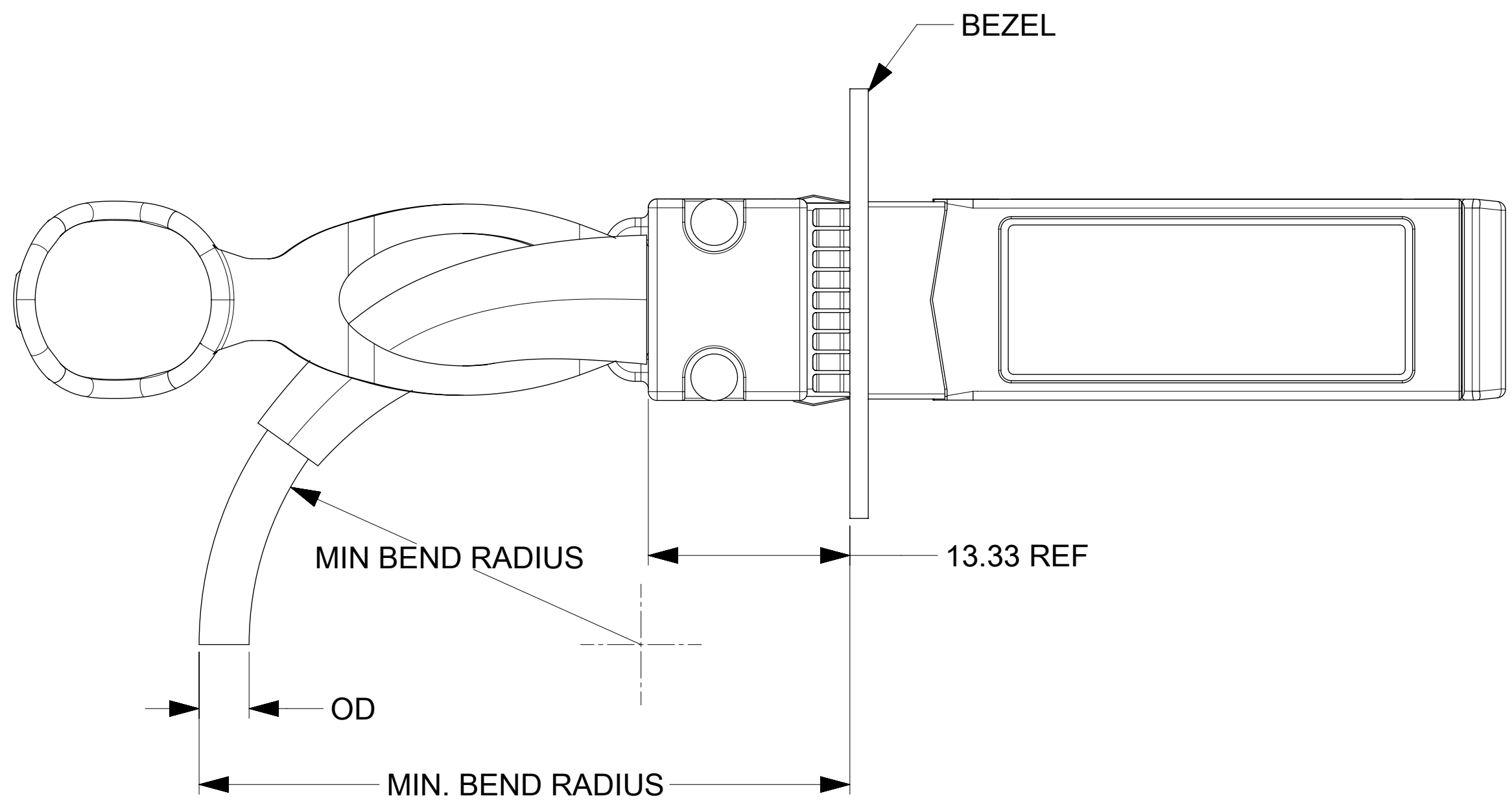
MOLEX P/N	LENGTH(M)	TOL.(M)	AWG	RAW CABLE
2058961052	0.5	0.05	30	TEMP-FLEX
2058961102	1.0	0.05	30	
2058961152	1.5	0.08	30	
2058961202	2.0	0.08	30	
2058963102	1.0	0.05	26	
2058963152	1.5	0.08	26	
2058963202	2.0	0.08	26	
2058963252	2.5	0.08	26	
2058963302	3.0	0.08	26	

- NOTES:**
- MATERIALS**
BACKSHELLS - NICKEL PLATED ZINC
DE-LATCH - PLASTIC
 - IMPEDANCE - 100 OHMS DIFFERENTIAL**
 - RoHS COMPLIANT, NO EXEMPTIONS**
 - EEPROM COMPLIANT TO SFF-8472 REV 12.2**
 - EEPROM MAP AVAILABLE UPON REQUEST.**

THIS DRAWING CONTAINS INFORMATION THAT IS PROPRIETARY TO MOLEX ELECTRONIC TECHNOLOGIES, LLC AND SHOULD NOT BE USED WITHOUT WRITTEN PERMISSION

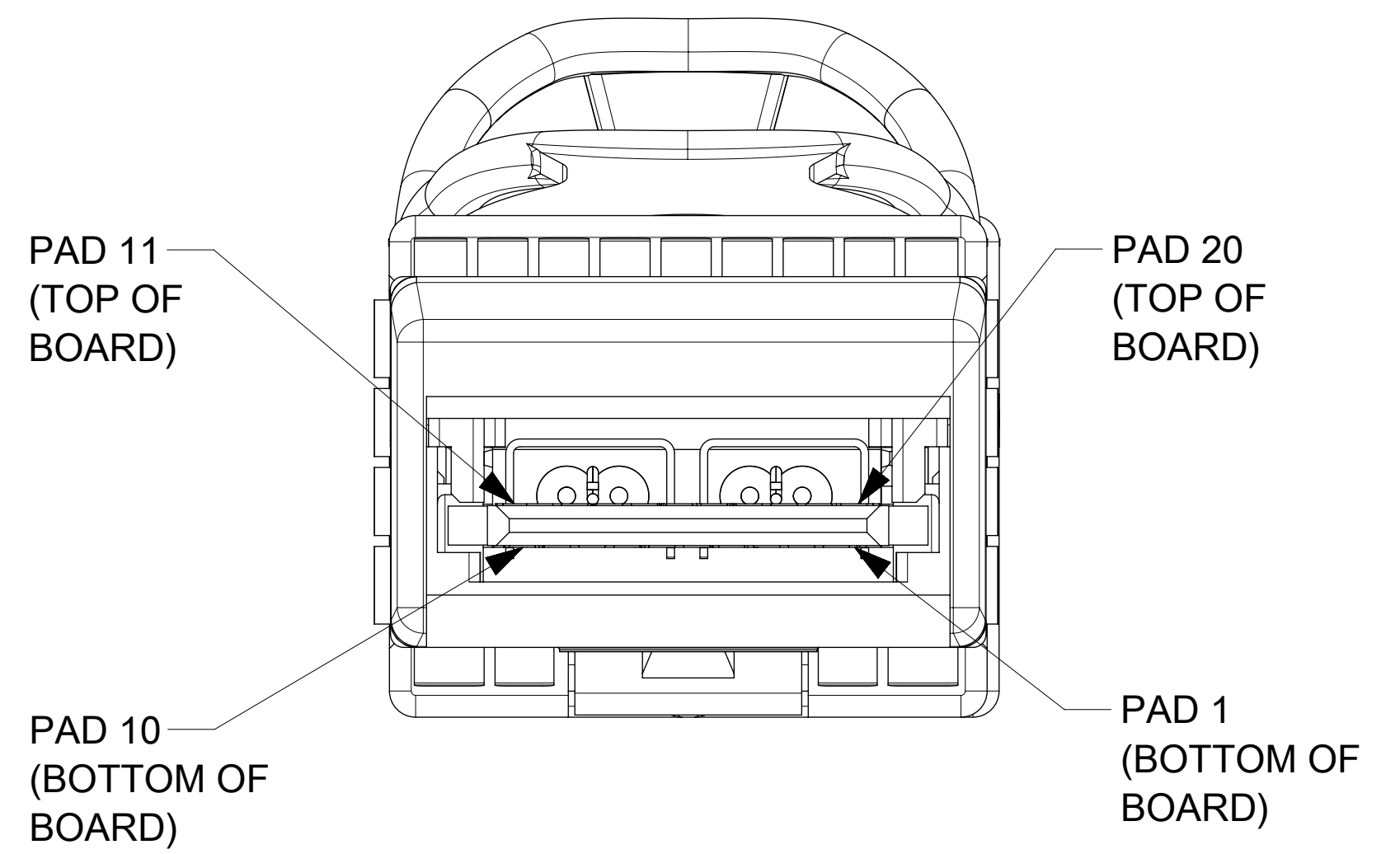
CORRECTED TYPO ERROR	2018/02/05	GENERAL TOLERANCES (UNLESS SPECIFIED)	DIMENSION UNITS	SCALE	molex								
	2018/02/07		mm	2:1									
	2018/02/07		ANGULAR TOL ± 2.0 °	DRWN BY		DATE							
	2018/02/07		4 PLACES ±	SJKG		2017/09/11							
EC NO: 171928	DRWN: SJKG	DRAFT WHERE APPLICABLE MUST REMAIN WITHIN DIMENSIONS	CHKD BY	DATE	ZSFP+ TO ZSFP+ PAM4 56G CABLE ASSEMBLY								
	CHKD: SJKG		KNAGANNA	2017/11/22									
	REV/ APPR: ARAYBURN		ARAYBURN	2017/12/02		PRODUCT CUSTOMER DRAWING							
	0 PLACES ±		DRAWING SIZE	THIRD ANGLE PROJECTION		SERIES	MATERIAL NUMBER	CUSTOMER					
A1			D		205896	SEE P/N TABLE	GENERAL MARKET						
RELEASE STATUS		P1	RELEASE DATE	2018/02/07	16:44:08	DOCUMENT NUMBER	2058961052	DOC TYPE	PSD	DOC PART	000	SHEET NUMBER	1 OF 3

CABLE BEND RADIUS



CABLE AWG	OD	MIN BEND RADIUS (mm)	MIN BEND SPACE (mm)
30	4.83	24	42
26	5.80	29	48

PINOUT



P1 END			P2 END		
PAD	SIGNAL		PAD	SIGNAL	
12	RD-	<-----	19	TD-	
13	RD+	<-----	18	TD+	
18	TD+	----->	13	RD+	
19	TD-	----->	12	RD-	
02	Tx_Fault	NC NC	02	Tx_Fault	
03	Tx_Disable	NC NC	03	Tx_Disable	
04	SDA	■ ■	04	SDA	
05	SCL	■ ■	05	SCL	
06	Mod_ABS	NC NC	06	Mod_ABS	
07	RS0	NC NC	07	RS0	
08	Rx_LOS	NC NC	08	Rx_LOS	
09	RS1	NC NC	09	RS1	
15	VccR	NC NC	15	VccR	
16	VccT	NC NC	16	VccT	

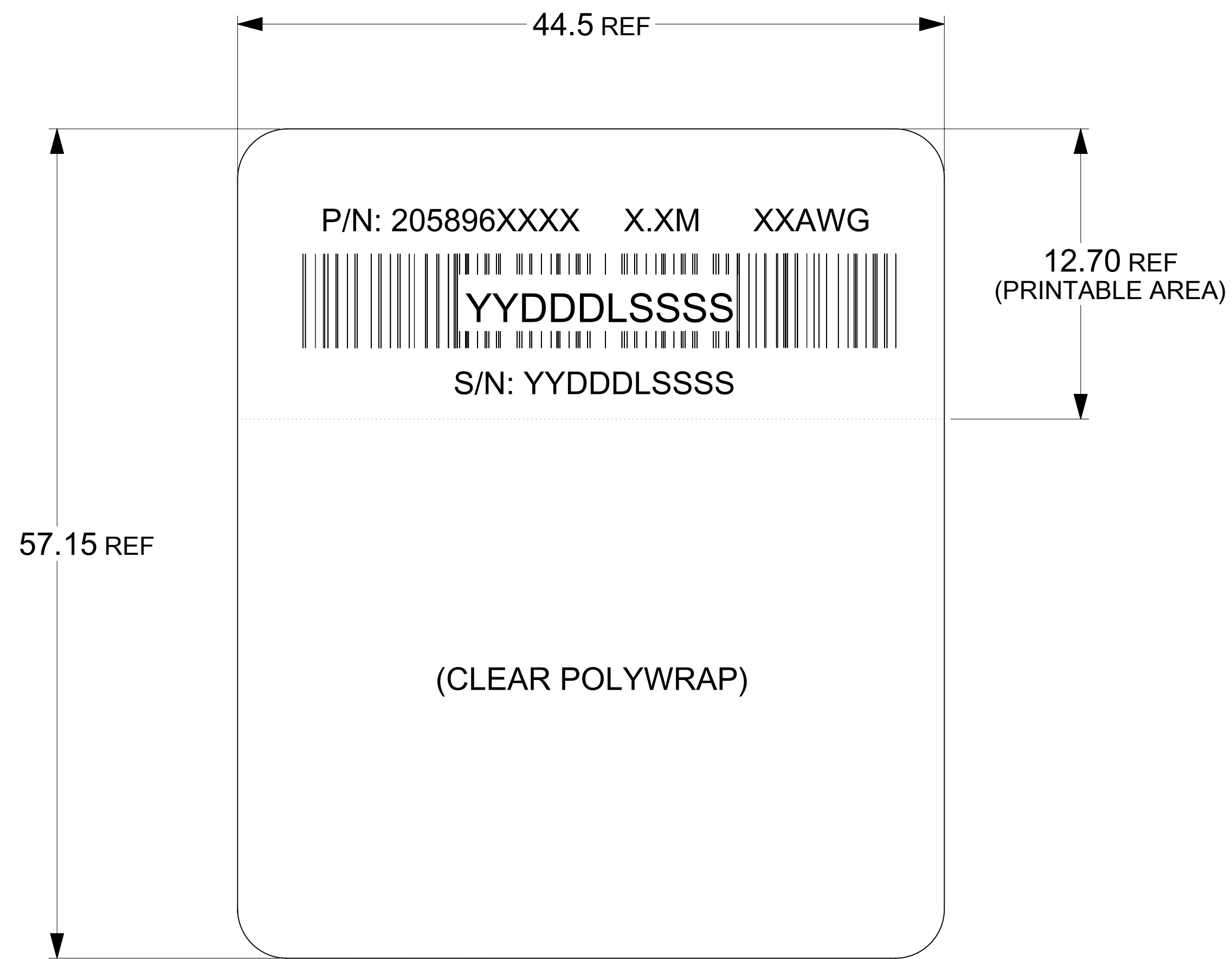
LEGEND:

- > - THRU LINES
- NC - NOT CONNECTED
- - CONNECTION TO A DEVICE ON THE PCB

- NOTES:**
- DC BLOCKING CAPS ON RECEIVE SIDE ONLY
 - CABLE COILED AND PACKAGED IN BEST FIT ESD BAG AND SEALED WITH ESD LABEL FOR SHIPPING

THIS DRAWING CONTAINS INFORMATION THAT IS PROPRIETARY TO MOLEX ELECTRONIC TECHNOLOGIES, LLC AND SHOULD NOT BE USED WITHOUT WRITTEN PERMISSION

CORRECTED TYPO ERROR	2018/02/05	GENERAL TOLERANCES (UNLESS SPECIFIED)	DIMENSION UNITS	SCALE		
	2018/02/07	ANGULAR TOL ± 2.0 °	mm	7:1		
	2018/02/07	4 PLACES ±	DRWN BY	DATE		
		3 PLACES ±	SJKG	2017/09/11		
	2 PLACES ± 0.13	CHKD BY	DATE	ZSFPP+ TO ZSFPP+ PAM4 56G CABLE ASSEMBLY		
	1 PLACE ± 0.25	KNAGANNA	2017/11/22			
	0 PLACES ±	APPR BY	DATE	PRODUCT CUSTOMER DRAWING		
		ARAYBURN	2017/12/02	SERIES	MATERIAL NUMBER	CUSTOMER
		DRAFT WHERE APPLICABLE MUST REMAIN WITHIN DIMENSIONS		205896	SEE P/N TABLE	GENERAL MARKET
		DRAWING SIZE	THIRD ANGLE PROJECTION	DOCUMENT NUMBER	DOC TYPE	DOC PART SHEET NUMBER
		D		2058961052	PSD	000 2 OF 3



P/N: 205896XXXX - MOLEX PART NUMBER (SEE P/N TABLE)

X.XM - CABLE LENGTH IN METERS (EXAMPLES - 0.5M, 1.0M, 1.5M, SEE P/N TABLE)

XXAWG - CABLE SIZE IN AWG (SEE P/N TABLE)

S/N: YYDDDLSSSS - SERIAL NUMBER

YY = YEAR, THE LAST TWO DIGIT OF THE YEAR

DDD = DAY OF THE YEAR

L = LOCATION

1 - USA

2 - MEXICO

3 - CHINA

4 - PHILIPPINES

SSSS = SERIAL NUMBER (0001-9999)

THIS DRAWING CONTAINS INFORMATION THAT IS PROPRIETARY TO MOLEX ELECTRONIC TECHNOLOGIES, LLC AND SHOULD NOT BE USED WITHOUT WRITTEN PERMISSION											
CORRECTED TYPO ERROR	EC NO: 171928	2018/02/05	GENERAL TOLERANCES (UNLESS SPECIFIED)		DIMENSION UNITS	SCALE	molex [®]				
	DRWN: SJKG	2018/02/07	ANGULAR TOL ± 2.0 °		mm	1:1					
	CHKD: SJKG	2018/02/07	4 PLACES ±	DRWN BY	DATE	ZSF+ TO ZSF+ PAM4 56G CABLE ASSEMBLY					
	REV/ APPR: ARAYBURN		3 PLACES ±	SJKG	2017/09/11						
			2 PLACES ± 0.13	CHKD BY	DATE	PRODUCT CUSTOMER DRAWING					
			1 PLACE ± 0.25	KNAGANNA	2017/11/22						
		0 PLACES ±	APPR BY	DATE	SERIES	MATERIAL NUMBER	CUSTOMER				
		DRAFT WHERE APPLICABLE MUST REMAIN WITHIN DIMENSIONS	ARAYBURN	2017/12/02	205896	SEE P/N TABLE	GENERAL MARKET				
A1			DRAWING SIZE	THIRD ANGLE PROJECTION	DOCUMENT NUMBER	DOC TYPE	DOC PART	SHEET NUMBER			
			D		2058961052	PSD	000	3 OF 3			