

2.50 ±0.25  
(SIGNAL TAILS)

1.58 MIN  
(PCB THICKNESS)

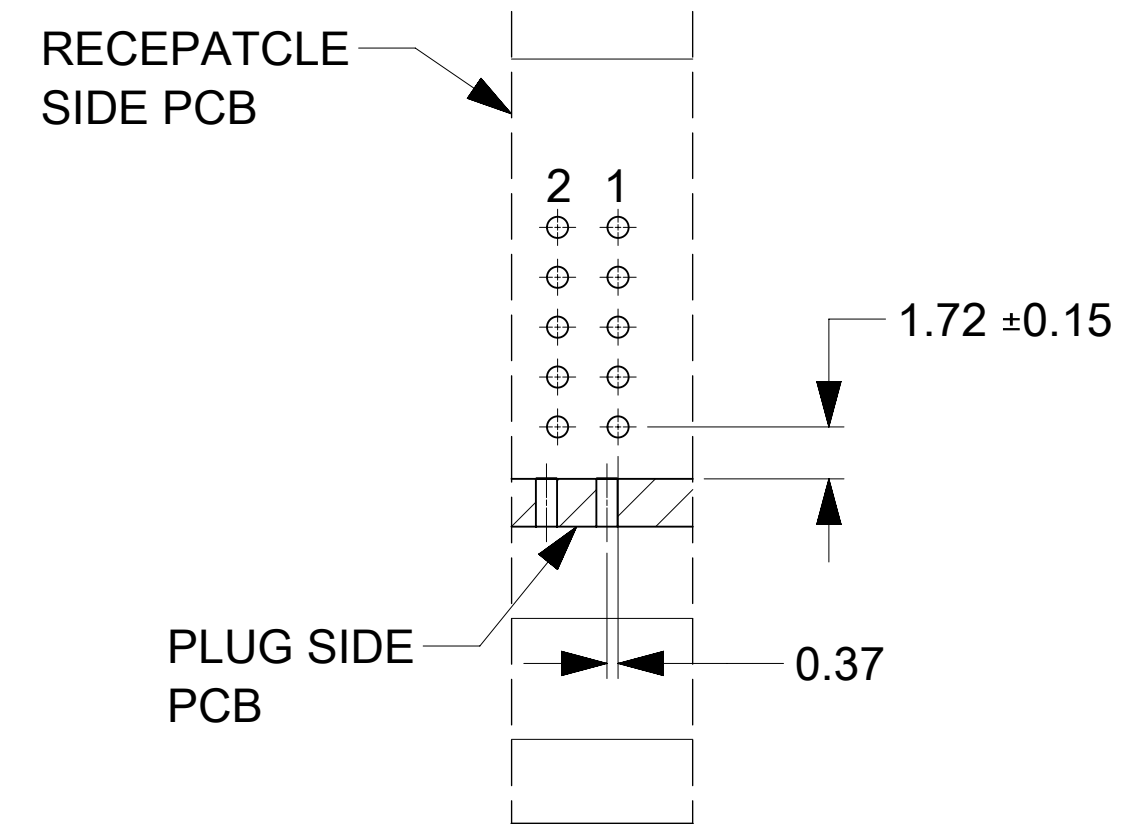
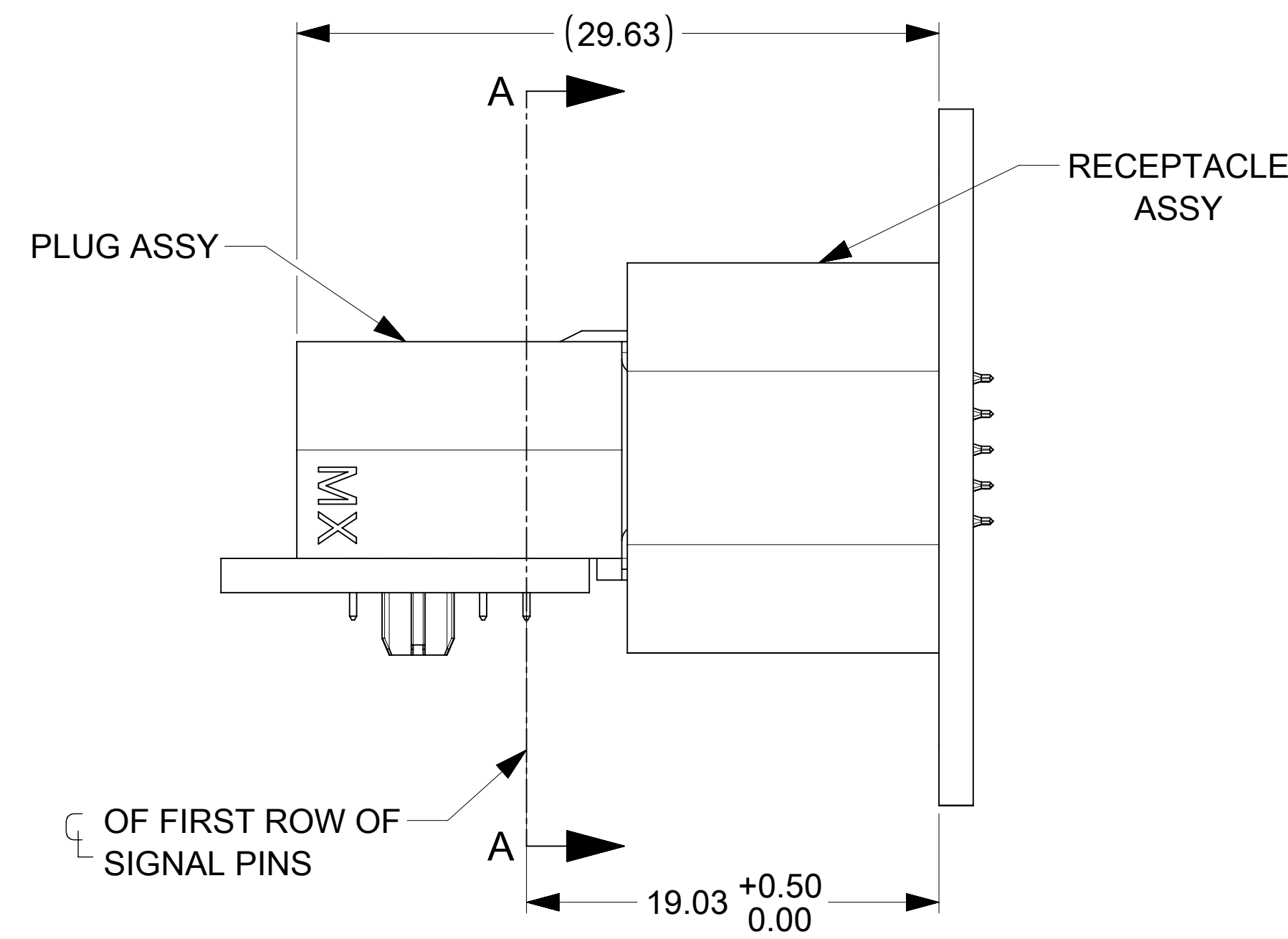
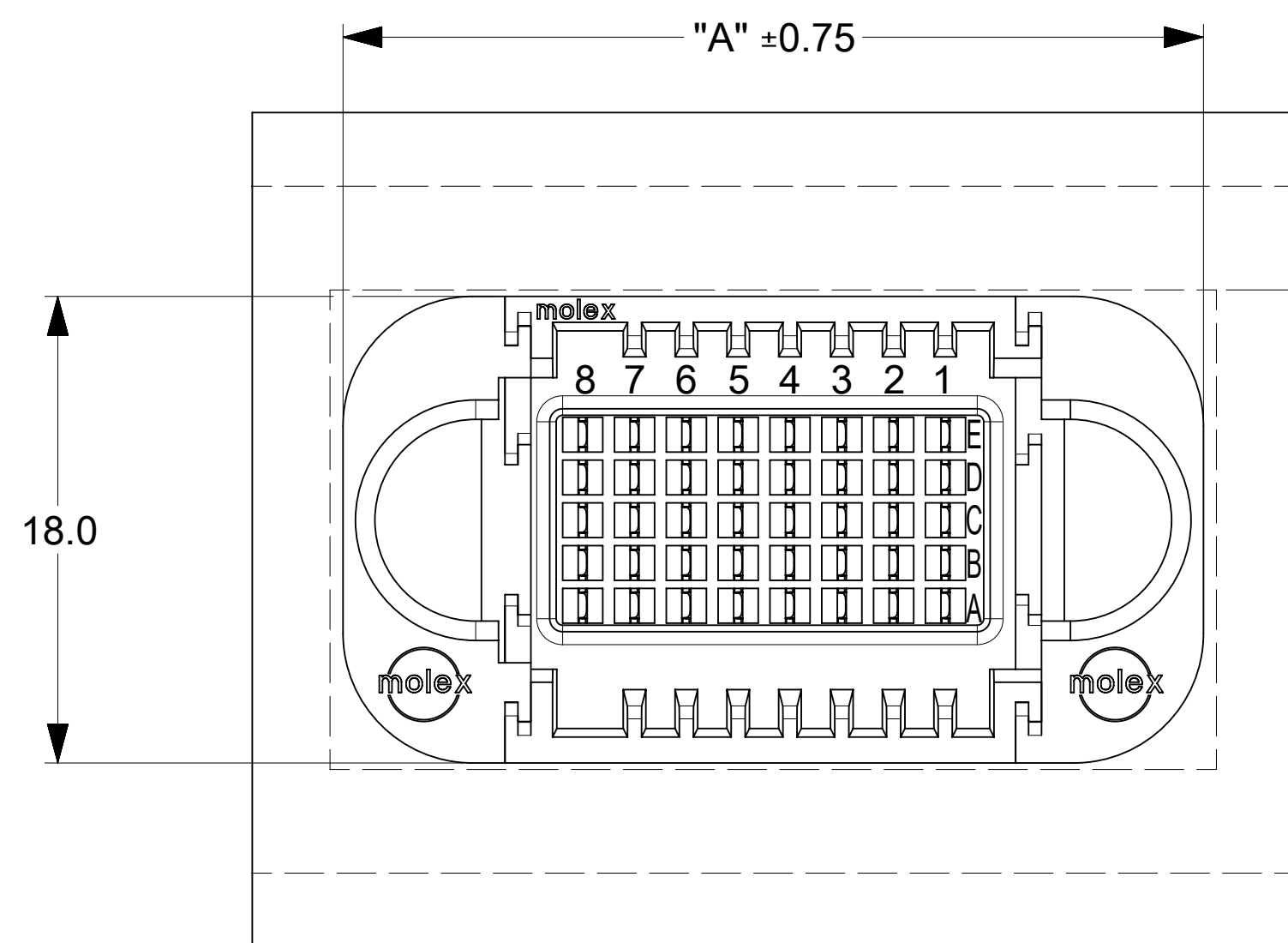
14.4

(13.38)  
SCREW HOLE DEPTH

ALLOW EXTRA SPACE  
4.00 MM PER SIDE  
(REQUIRED FOR RE-WORK PER AS-46436-100)

SECTION B-B (A1)

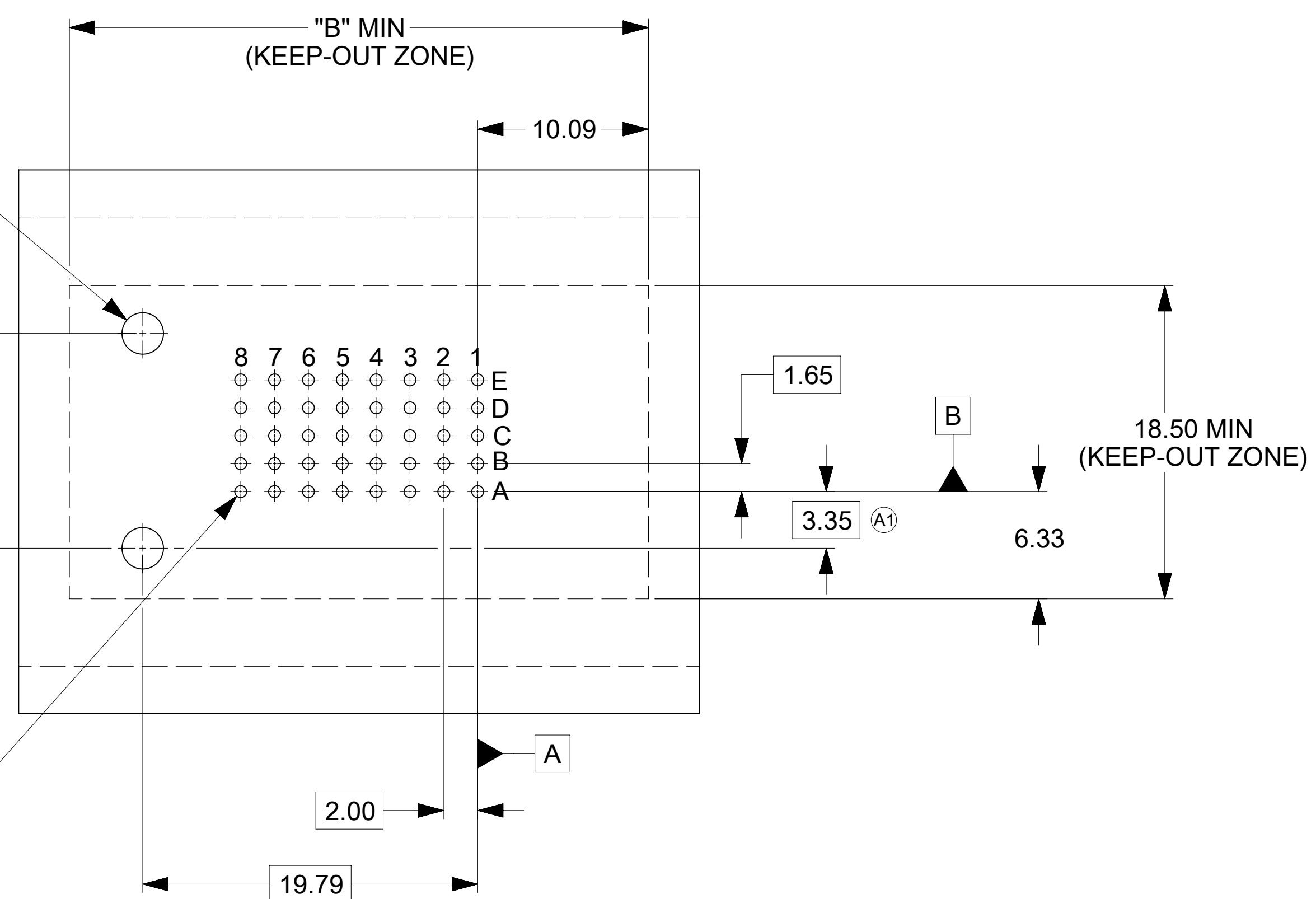
P/N: 46562-3133 (G-40S-G)



PARTIAL OF A-A  
(SIGNAL CKTS ARE ALIGNED)

"B" MIN  
(KEEP-OUT ZONE)

Ø0.10 A B  
Ø2.45 ±0.05 (2X)  
(SEE NOTE 11)



RECOMMENDED PCB LAYOUT AND KEEP-OUT ZONE  
FOR G-(10S TO 40S)-G

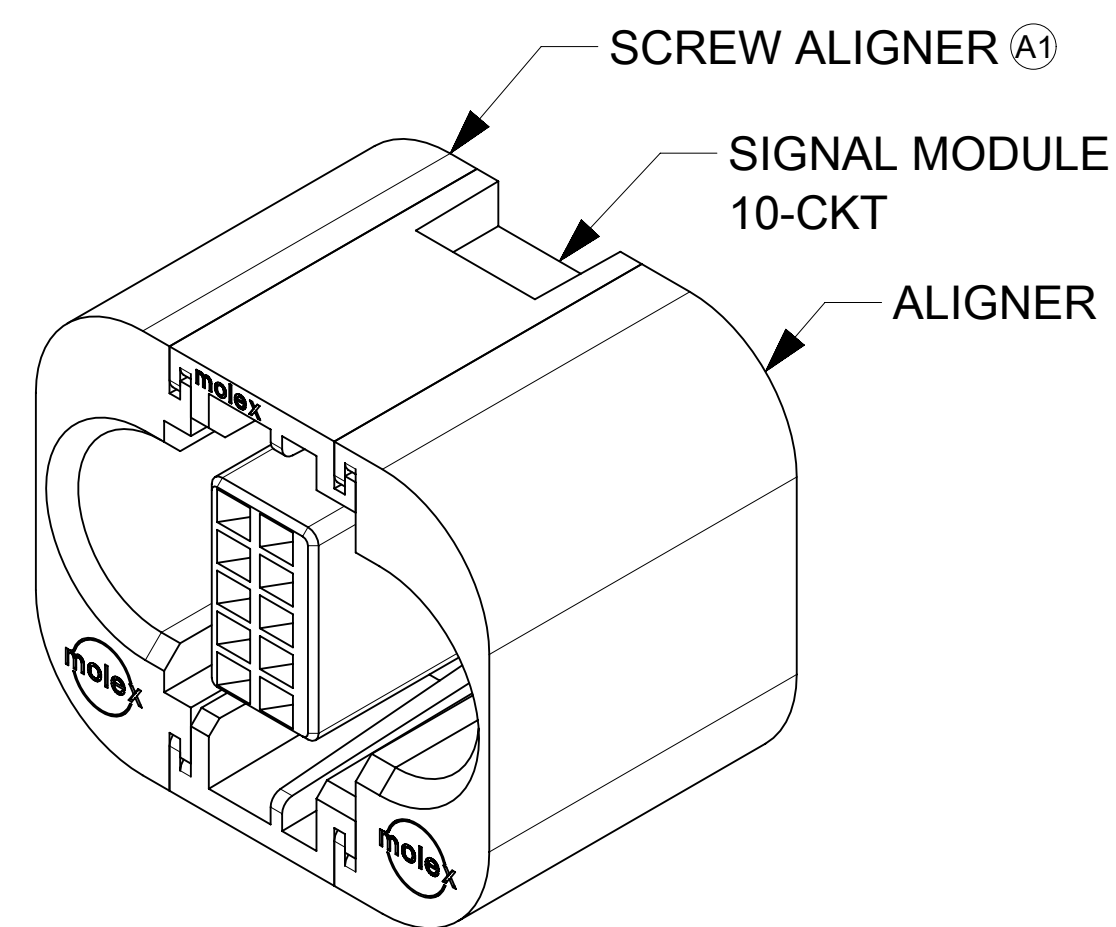
Ø0.10 A B  
Ø0.70 ±0.05 ("H")  
(SEE NOTE 3)

- NOTES:
- MATERIAL:
    - HOUSINGS: LCP UL94, V-0, COLOR: BLACK
    - TERMINALS: COPPER ALLOY
    - PLATING: 1.27 MICROMETER (50 MICROINCH) NICKEL OVERALL WITH 2.54 MICROMETER (100 MICROINCH) SELECTIVE TIN ON TAILS AND 0.762 MICROMETER (30 MICROINCH) SELECTIVE GOLD ON CONTACT AREA
  - PACKAGING: ASSEMBLIES TO BE TRAY PACKED PER PACKAGING SPEC: 465621001-PK
  - PLATED THRU HOLE SIZE, REFER TO PS-46436-100 FOR DETAILS
  - PRODUCT SPEC: PS-46436-100.
  - APPLICATION SPEC: AS-46436-100
  - PRODUCT TO MEET RoHS REQUIREMENTS
  - ASSEMBLY MATES TO MOLEX PLUG ASSEMBLY P/N 46437-\*\*\*\* (SEE TABLE IN SHEET 2).
  - TAIL DESIGN: COMPLIANT PIN
  - SIGNAL CONTACTS ARE LUBRICATED.
  - MOLEX LOGO TO BE LOCATED APPROXIMATELY AS SHOWN
  - FOR USE WITH 2-32 TYPE AB SELF THREADING SCREWS, SCREW LENGTH OF 9.50MM IS RECOMMENDED FOR 1.58MM THICK PCB MAX TORQUE IS 4IN-LBS

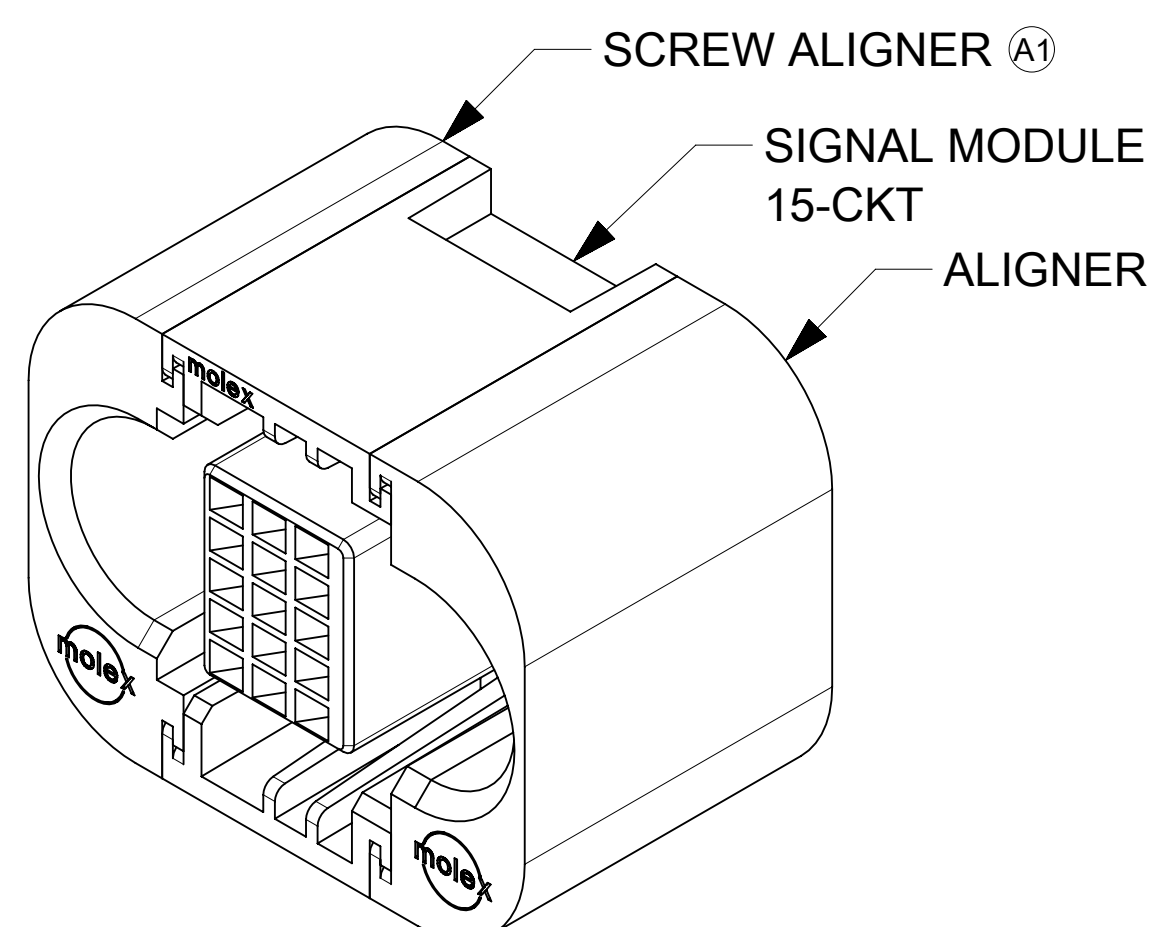
THIS DRAWING CONTAINS INFORMATION THAT IS PROPRIETARY TO MOLEX ELECTRONIC TECHNOLOGIES, LLC AND SHOULD NOT BE USED WITHOUT WRITTEN PERMISSION											
DIMENSION UNITS		SCALE		CURRENT REV DESC: REPLACED STANDARD ALIGNER WITH SCREW DOWN ALIGNER, UPDATED DIMENSIONS & ADDED SECTION VIEW B-B						<b>molex</b>	
mm		4:1									
GENERAL TOLERANCES (UNLESS SPECIFIED)				G-*S-G VERT RECEPTACLE ASSY - TEN60 POWER FAMILY							
ANGULAR TOL ± 0.5°				PRODUCT CUSTOMER DRAWING							
4 PLACES ±				EC NO: 729882				DOCUMENT NUMBER			
3 PLACES ±				DRWN: ABHIRK 2022/08/11				DOC TYPE DOC PART REVISION			
2 PLACES ± 0.13				CHK'D: BHAGAD 2022/08/16				465623127 PSD 000 A1			
1 PLACE ± 0.25				APPR: HTHYAGARAJ 2022/12/12							
0 PLACES ±				INITIAL REVISION:							
				DRWN: GJEEVANSURES 2022/01/12							
				APPR: HTHYAGARAJ 2022/02/22							
DRAFT WHERE APPLICABLE MUST REMAIN WITHIN DIMENSIONS		THIRD ANGLE PROJECTION		DRAWING		SERIES		MATERIAL NUMBER		CUSTOMER	
		D-SIZE		46562		SEE TABLE		GENERAL MARKET		SHEET NUMBER	
										1 OF 2	

REFER TO BELOW TABLE FOR DIMENSIONS.

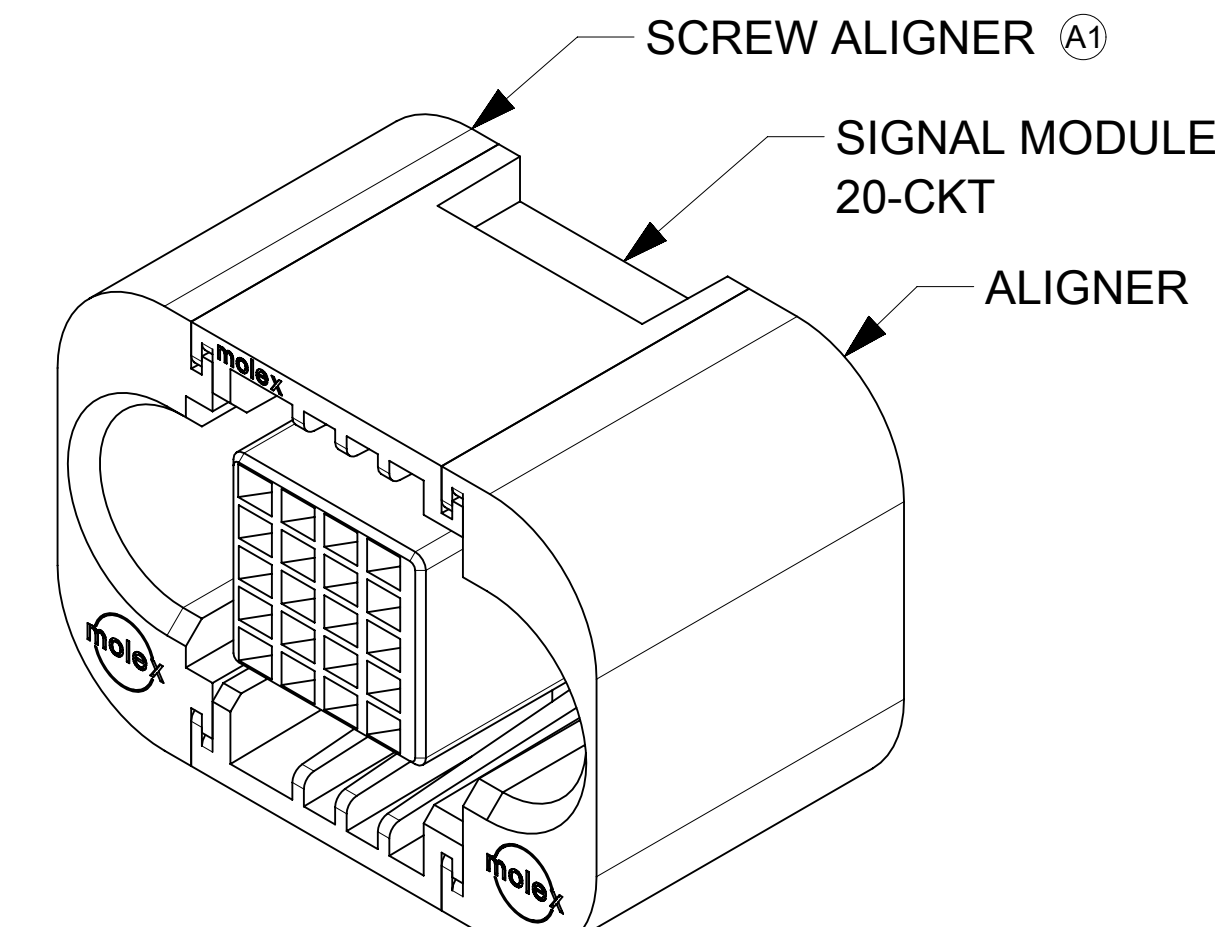
FG P/N	CONFIGURATION	SIGNAL CKT SIZE	DIM "A" (IN MM)	DIM "B" (IN MM) <sup>(A1)</sup>	HOLES COUNT "H"	MATES WITH R/A PLUG ASSY P/N - COMPLIANT PIN
46562-3127	G-10S-G	10	21.21	22.21	10	46437-3127
46562-3128	G-15S-G	15	23.21	24.21	15	46437-3128
46562-3129	G-20S-G	20	25.21	26.21	20	46437-3129
46562-3130	G-25S-G	25	27.21	28.21	25	46437-3130
46562-3131	G-30S-G	30	29.21	30.21	30	46437-3131
46562-3132	G-35S-G	35	31.21	32.21	35	46437-3132
46562-3133	G-40S-G	40	33.21	34.21	40	46437-3133



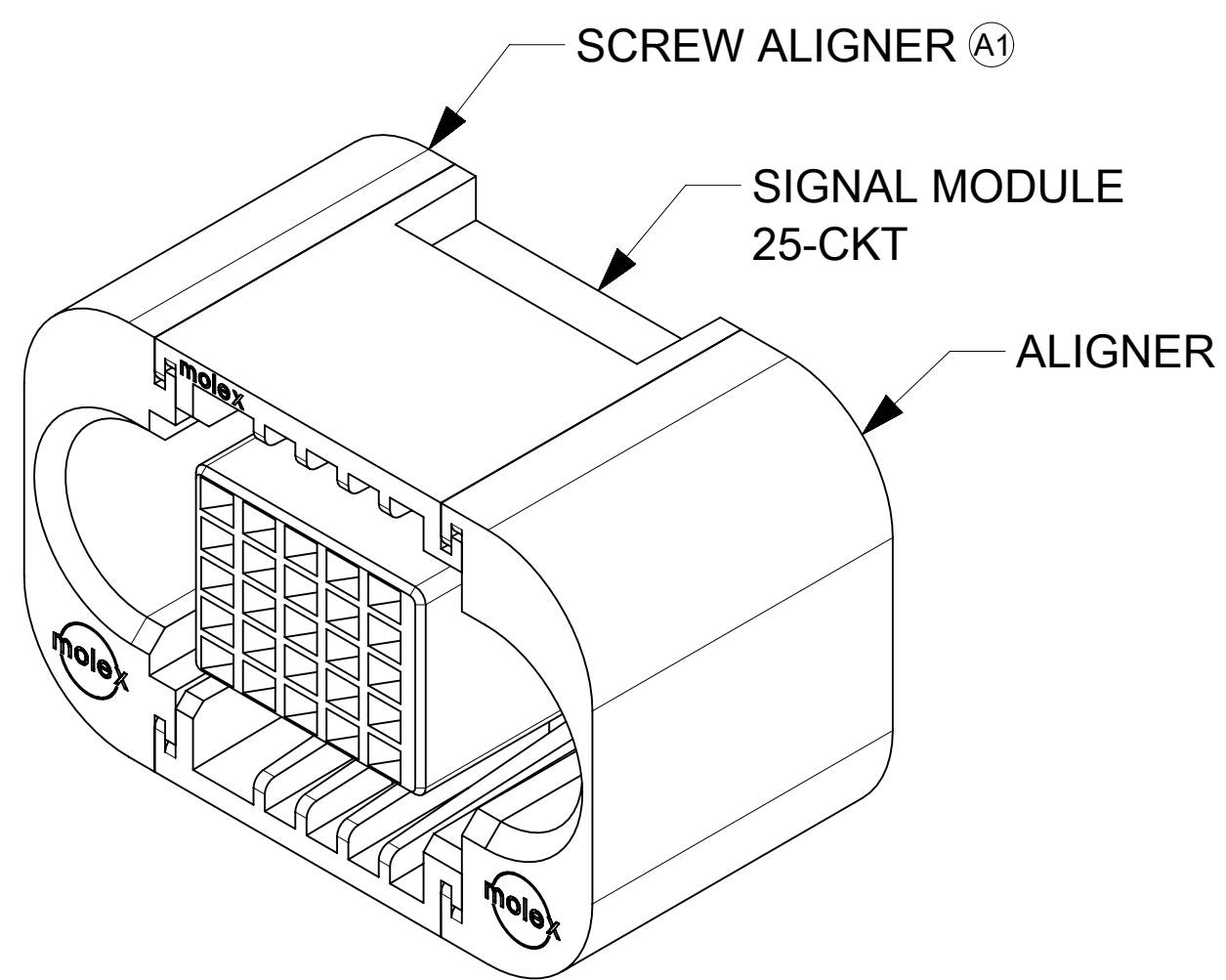
P/N: 46562-3127 (G-10S-G)



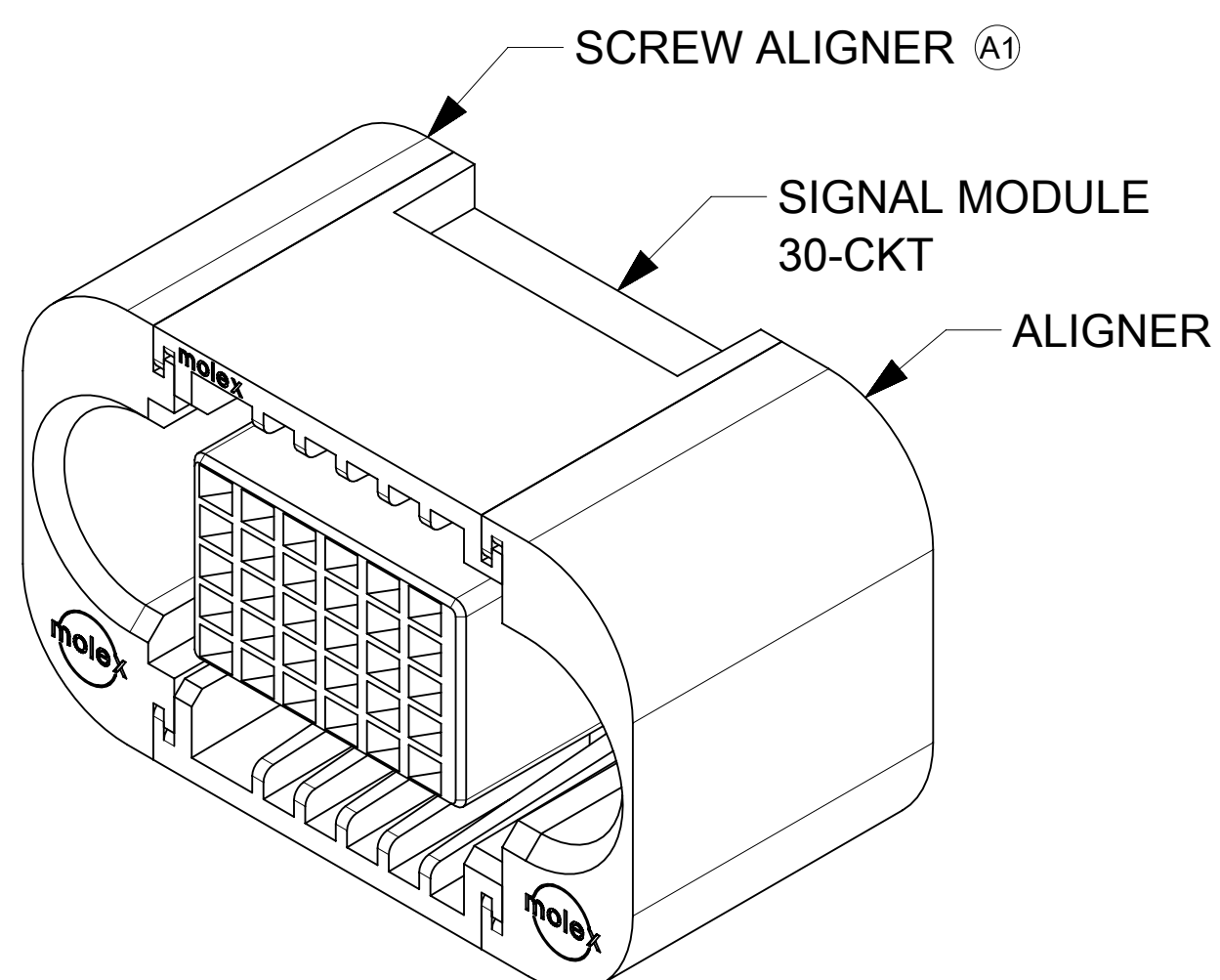
P/N: 46562-3128 (G-15S-G)



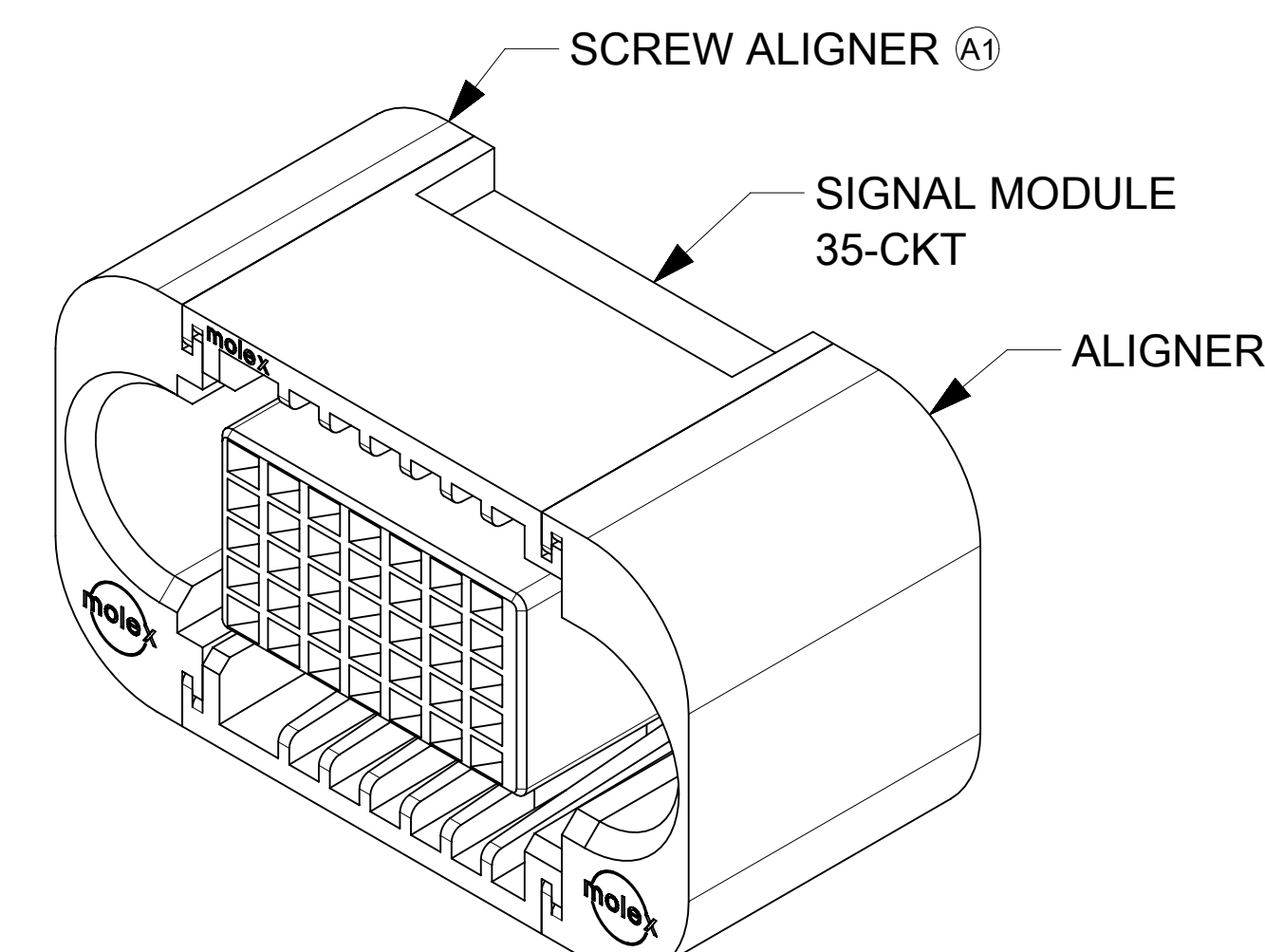
P/N: 46562-3129 (G-20S-G)




P/N: 46562-3130 (G-25S-G)



P/N: 46562-3131 (G-30S-G)



P/N: 46562-3132 (G-35S-G)

THIS DRAWING CONTAINS INFORMATION THAT IS PROPRIETARY TO MOLEX ELECTRONIC TECHNOLOGIES, LLC AND SHOULD NOT BE USED WITHOUT WRITTEN PERMISSION											
DIMENSION UNITS		SCALE		CURRENT REV DESC: REPLACED STANDARD ALIGNER WITH SCREW DOWN ALIGNER, UPDATED DIMENSIONS & ADDED SECTION VIEW B-B							
mm		4:1									
GENERAL TOLERANCES (UNLESS SPECIFIED)				EC NO: 729882		2022/08/11		G-*S-G VERT RECEPTACLE ASSY - TEN60 POWER FAMILY PRODUCT CUSTOMER DRAWING			
ANGULAR TOL ± 0.5°				DRWN: ABHIRK		2022/08/16					
4 PLACES ±				CHK'D: BHAGAD		2022/12/12		DOCUMENT NUMBER: <b>465623127</b> DOC TYPE: PSD DOC PART: 000 REVISION: <b>A1</b>			
3 PLACES ±				APPR: HTHYAGARAJ							
2 PLACES ± 0.13				INITIAL REVISION:				MATERIAL NUMBER: SEE TABLE CUSTOMER: GENERAL MARKET SHEET NUMBER: 2 OF 2			
1 PLACE ± 0.25				DRWN: GJEEVANSURES		2022/01/12					
0 PLACES ±				APPR: HTHYAGARAJ		2022/02/22					
DRAFT WHERE APPLICABLE MUST REMAIN WITHIN DIMENSIONS				THIRD ANGLE PROJECTION		DRAWING		SERIES		D-SIZE 46562	