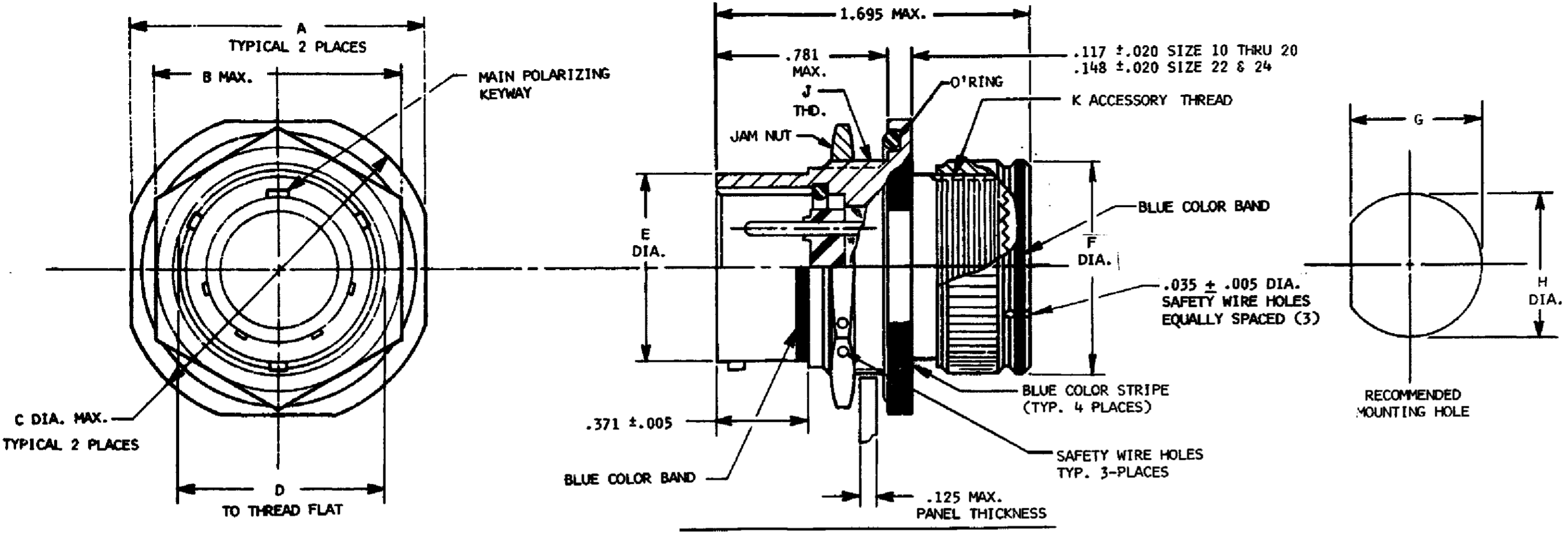


REVISIONS			
REV	DESCRIPTION	DATE	APPROVED
N/C	NEW RELEASE PER E.O. 95859	12-22-82	T.H.
A	REVISED PER E.O.D0043	120207	E.A.



- QUALIFIED TO M83723/65, SERIES III, CLASS H.
- DIMENSIONS ARE IN INCHES UNLESS OTHERWISE SPECIFIED.
- CONNECTORS ARE SHIPPED WITH:
  - APPLICABLE REAR RELEASE CRIMP CONTACTS PER INSERT ARRANGEMENT PLUS 10% OR 1 WHICH EVER IS GREATER SPARES.
  - INSERTION/REMOVAL TOOL(S) PER CONTACT SIZE IN ANY GIVEN INSERT ARRANGEMENT.
  - SEALING PLUGS PER CONTACT CAVITY SIZE IN ANY GIVEN INSERT ARRANGEMENT PLUS 15% OR 1 WHICH EVER IS GREATER SPARES.

SIZES:	CONTACT PART NOS:	INSERTION/REMOVAL TOOL PART NOS:	SEALING PLUG PART NOS:
20	CTS-520/20	M15570-20	81539-20
16	CTS-516/16	M15570-16	81539-16
12	CTS-512/12	81515-12	81539-12

PART NO.	A±.005	B	C	D±.003	E <sup>+.000</sup> <sub>-.005</sub>	F MAX	G±.005	H±.005	J THREAD 2A	K THREAD 2A
94603-10-5P*	1.104	.953	1.192	.718	.659	.734	.730	.760	.750-20 UNEF	.625-24 UNEF
94603-14-7P*	1.391	1.250	1.505	.968	.898	.984	.980	1.010	1.000-20 UN	.875-20 UNEF
94603-16-24P*	1.516	1.329	1.630	1.093	1.025	1.112	1.105	1.135	1.125-20 UNEF	1.000-20 UNEF
94603-20-41P*	1.766	1.642	1.860	1.342	1.256	1.345	1.350	1.385	1.375-18 UNEF	1.1875-18 UNEF
94603-22-32P*	1.954	1.705	2.040	1.467	1.381	1.468	1.475	1.510	1.500-20 UN	1.3125-18 UNEF
94603-24-61P*	2.079	1.892	2.160	1.592	1.506	1.593	1.600	1.635	1.625-18 UNEF	1.4375-18 UNEF

- CONNECTOR ASSEMBLY MUST INCLUDE A BACKSHELL TO MEET MOISTURE REQUIREMENTS OF MIL-C-83723. FOR BACKSHELL PART NUMBERS REFER TO DEUTSCH DRAWINGS:
  - 94002\*-3014 BACKSHELL, STRAIGHT
  - 94003\*-3014 BACKSHELL, STRAIGHT, STRAIN RELIEF
  - 94004\*-3014 BACKSHELL, 90° END BELL
- MATERIAL:
  - SHELL - MILD STEEL
  - CONTACTS - HIGH NICKEL - IRON ALLOY (NON REMOVABLE PINS)
  - INSERT, PIN FRONT - ELASTOMER
  - INSERT, HERMETIC - COMPRESSION GLASS
  - 'O' RINGS - SILICONE ELASTOMER
  - JAM NUT - MILD STEEL
  - INSERT REAR - PLASTIC
  - GROMMET REAR - ELASTOMER
  - BACKSHELL - ALUMINUM ALLOY

- FINISH: SHELL - TIN OVER NICKEL  
CONTACTS - GOLD PLATED PER MIL-C-83723
- FOR CONTACT ARRANGEMENT INFORMATION AND ALTERNATE CLOCKING POSITIONS SEE DEUTSCH DRAWINGS 94500.

NOTES:

REV	94603 - * - **
N/C	

SIGNATURE & DATE	
DR	<i>[Signature]</i> 11/11/82
CHK	<i>[Signature]</i> 11/11/82
PE	<i>[Signature]</i> 11/11/82
APPD	A.RENGIFO 120207
SCALE	NONE
WT	

RECEPTACLE CONNECTOR, HERMETIC, TRI-KAM COUPLING, JAM NUT MOUNTING, CRIMP CONTACT, REAR RELEASE ENVELOPE

CP	MATL CODE
<b>The Deutsch Company</b> ELECTRONIC COMPONENTS DIVISION Municipal Airport Banning, California	
C	94603 - * - **
QWS 8128	CODE 11139
SHEET 1 OF 1	