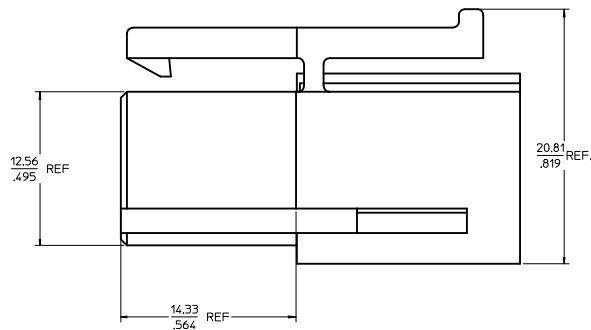
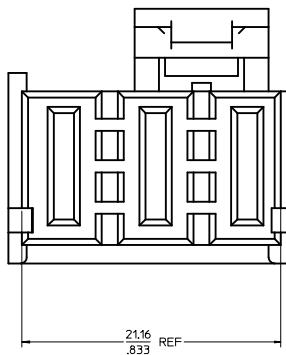


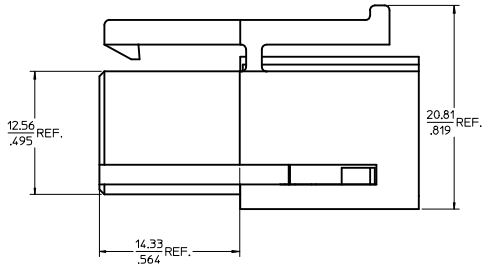
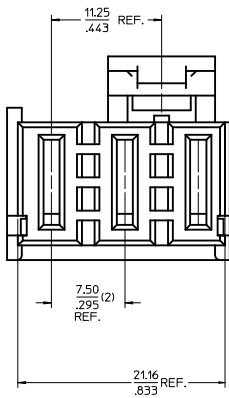
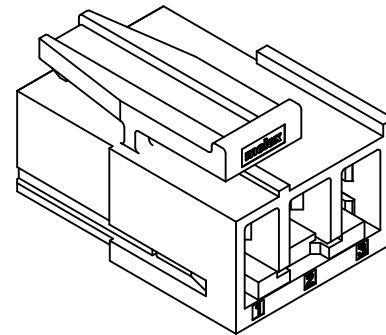
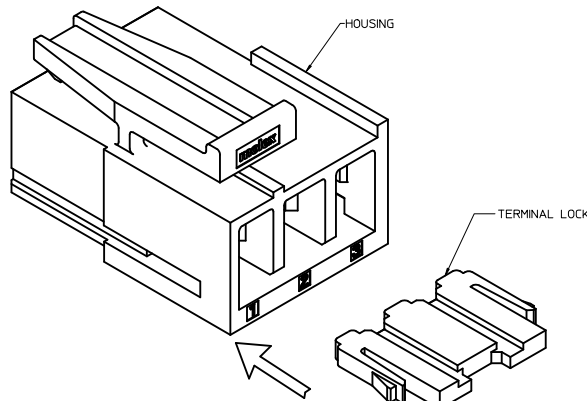
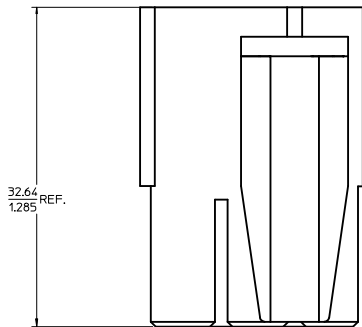
INDICATES CKT NUMBER



NOTES:

1. MATERIAL:
-HOUSING: HIGH TEMPERATURE PLASTIC BLACK UL-94V-0 (PBT)
2. HOUSING PACKED BULK, MIN ORDER QTY: 100
3. HARNESS HOUSING DESIGN FOR 44262-**** TERMINALS, REFER TO MOLEX DRAWING SD-44262-026
4. PRODUCT MEETS RoHS REQUIREMENTS
5. HARNESS REQUIRES TERMINAL LOCK P/N: 46641-0003, SOLD SEPARATELY
6. MATES TO 76546-0004 TO -0007

| | | | | | | | |
|---|---------------------------------------|---|---------------------------------------|--|---|------------------------|------------------------|
| REV DOCUMENT NO IEC NO: UCF2011-3253 DRAWN: JUILLES 2011/04/26 CHKD: APATEL 2011/04/26 APPR: APATEL 2011/04/27 | QUALITY SYMBOLS DESCRIPTION | GENERAL TOLERANCES (UNLESS SPECIFIED) | | DIMENSION STYLE MM/IN | SCALE 4:1 | DESIGN UNITS METRIC | THIRD ANGLE PROJECTION |
| | | 4 PLACES ±.010 ±.010 3 PLACES ±.010 ±.010 2 PLACES ±0.25 ±.010 1 PLACE ±0.25 ±.010 | mm INCH | DRAWN BY DATE BKOSTIC 2008/01/28 | TITLE 3 CKT AC HARNESS HOUSING TEN60 WIRE | | |
| | | ANGULAR ±1/2° | APPROVED BY DATE APATEL 2011/04/27 | MATERIAL NO. DATE 46586-0003 2011/04/27 | | | |
| | | DRAFT WHERE APPLICABLE MUST REMAIN WITHIN DIMENSIONS | MOLEX INCORPORATED | | DOCUMENT NO. SD-46586-003 | SHEET NO. 1 OF 1 | |



NOTES:

1. MATERIAL:
-HOUSING: HIGH TEMPERATURE PLASTIC BLACK UL-94V-0 (PBTF).
-HARNESS KIT PACKED PER PACKAGING SPEC PK-46586-100.
2. HARNESS HOUSING DESIGN FOR 44262-**** TERMINALS SEE CHART:

| USE FOR MATING WITH GOLD PLATED PLUG ASSY ONLY | | |
|--|---------------|--|
| P/N: | WIRE SIZE: | PLATING |
| 44262-4632 | 10/12 OR 2x14 | 100μ INCHES OF BRIGHT SELECT TIN OVER 50μ INCHES OF NICKEL OVERALL WITH 30μ INCHES OF SELECT GOLD (AT CONTACT) |
| 44262-4636 | 14/16 | |

| USE FOR MATING WITH TIN PLATED PLUG ASSY ONLY | | |
|---|---------------|--|
| P/N: | WIRE SIZE: | PLATING |
| 44262-4402 | 10/12 OR 2x14 | 100μ INCHES OF TIN OVER 50μ INCHES OF NICKEL OVERALL |
| 44262-4406 | 14/16 | |

REFER TO MOLEX DRAWING SD-44262-100 FOR DETAILS.

4. PRODUCT MEETS RoHS REQUIREMENTS.
5. FOR MATING ASSEMBLY PLEASE CONTACT MOLEX FOR DETAILS.

| HARNESS KIT P/N: | ONLY 3CKT HOUSING P/N: | ONLY TERMINAL LOCK P/N: |
|------------------|------------------------|-------------------------|
| 46586-1003 | 46586-0003 | 46641-0003 |

| | | | | | | |
|---|--|---------------------------------------|---|--------------------------------|--------------|------------------------|
| NOTE: DEC NO: UCF2011-0070 DRAWN: BKOSTIC 2010/08/13 CHKD: BKOSTIC APPR: APATEL 2010/12/16 REV: | QUALITY SYMBOLS | GENERAL TOLERANCES (UNLESS SPECIFIED) | DIMENSION STYLE | SCALE | DESIGN UNITS | THIRD ANGLE PROJECTION |
| | | mm INCH | MM/IN | 4:1 | METRIC | |
| | | 4 PLACES ± .010 | DATE | TITLE | | |
| | | 3 PLACES ± .010 | DATE | 3CKT AC HARNESS KIT TEN60 WIRE | | |
| | 2 PLACES ± 0.25 ± .010 | DATE | MATERIAL NO. | | | |
| | 1 PLACE ± 0.25 ± .010 | DATE | 46586-1003 | | | |
| | ANGULAR ± 1/2° | DATE | DOCUMENT NO. | | | |
| | | DATE | SD-46586-103 | | | |
| | DRAFT WHERE APPLICABLE MUST REMAIN WITHIN DIMENSIONS | DATE | SHEET NO. | | | |
| | | DATE | 1 OF 1 | | | |
| | | DATE | THIS DRAWING CONTAINS INFORMATION THAT IS PROPRIETARY TO MOLEX INCORPORATED AND SHOULD NOT BE USED WITHOUT WRITTEN PERMISSION | | | |