

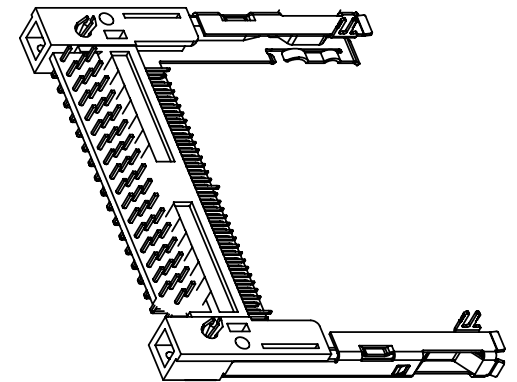
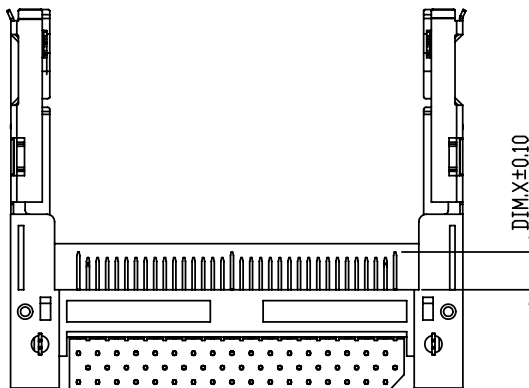
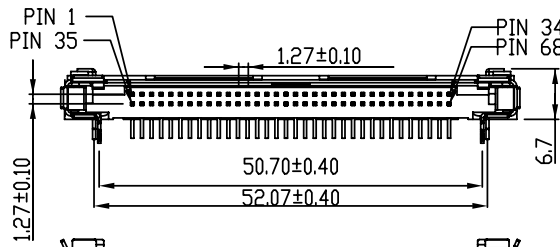
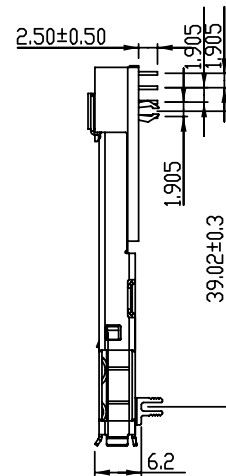
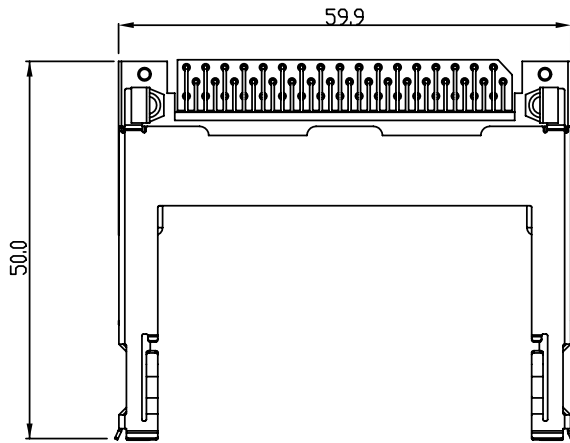
PRODUCT NO.
10074595-001LF
10074595-000MLF

LOW COST REVISION NONE: NO
M: YES
HALOGEN FREE OPTIONAL 0: NO
1: YES
STAND OFF 0: 0MM
5: 5MM

NOTES:

- MATERIAL
 - HEADER ASS'Y:
PLASTIC:HOUSING..PLASTIC UL94-V0 BLACK
PIN: COPPER ALLOY
COVER PLATE: STEEL
- FINISH
UNDER PLATING :1.27 um MIN. Ni
CONTACT AREA :0.075 um MIN. GOLD OVER
SOLDER TAIL : 2.5 um MIN.PURE TIN
COVER PLATE:0.5 um Ni MIN UNDER 2.54um PURE TIN MIN
[PLATING OF HOLD DOWN AREA MUST MEET THIS SPEC,
NOT CONTROL OTHER AREA]
- DIM 'X'
- IF LEAD FREE P/N,THE HOUSING WILL WITHSTAND EXPOSURE TO 260° C PEAK TEMPERATURE FOR 10 SECONDS IN A WAVE SOLDER APPLICATION WITH A 1.0MM MINIMUM THICK CIRCUIT BOARD.
- LEAD FREE PRODUCT MEETS EUROPEAN UNION DIRECTIVES AND OTHER COUNTRY REGULATIONS AS DISCRIBED IN GS-22-008
- PACKAGE MEETS GS-14-1090 SPECIFICATION

4.25±0.10	3.5±0.10	5.0±0.10
OTHERS	36,67	1,17,34,35,51,68



www.fciconnect.com			surface - ✓	tolerance std	projection	
			TOLERANCES UNLESS OTHERWISE SPECIFIED			
Dr	MIKE ZHOU	11/20/06	ANGULAR	LINEAR	0.X	±0.3
Eng	MIKE ZHOU	11/20/06			0.XX	±0.15
Chr	QIN DAVID	11/20/06	0°	±2°	0.XXX	±0.10
Appr	WANG JACK	11/20/06	Product family		-	Spec ref
FCI			title		5.0V PCMCIA ASSEMBLY	
			catalog no		-	
			dwg no		10074595	
			Rev.		J	
			CUSTOMER		sheet 1 of 4	

rev	ecn no	dr	date
H	N10-0062	SH	03/31/10
J	N10-0205	SH	07/12/10
-	-	-	-
-	-	-	-
-	-	-	-
-	-	-	-



Copyright FCI.

1

2

3

4

PRODUCT NO.
 10074595-051MLF
 10074595-050MLF



LOW COST REVISION NONE: NO
 M: YES
 HALOGEN FREE OPTIONAL 0: NO
 1: YES
 STAND OFF 0: 0MM
 5: 5MM

NOTES:

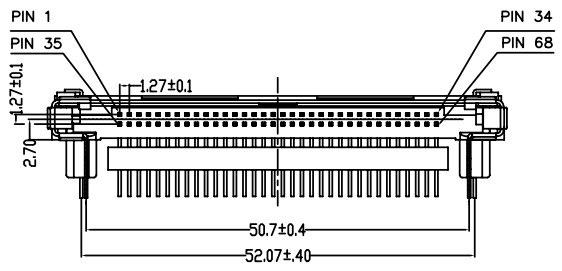
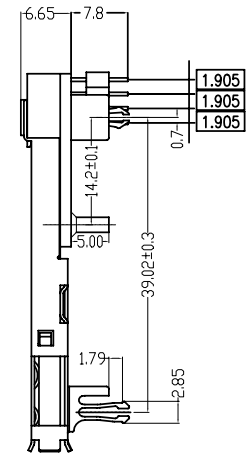
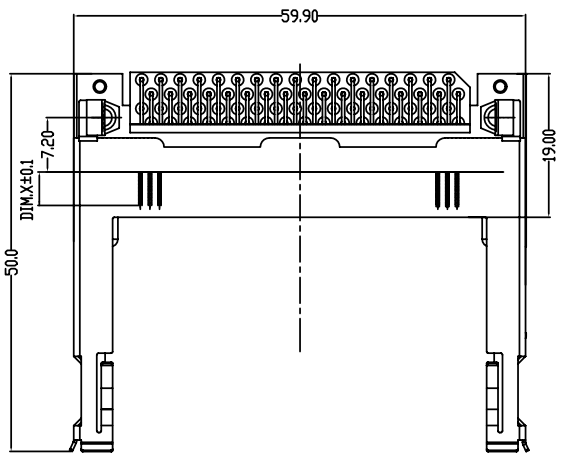
- MATERIAL
 - 1.1 HEADER ASS'Y:
 - PLASTIC: HOUSING...PLASTIC UL94-VO BLACK
 - PIN : COPPER ALLOY.
 - COVER PLATE :SPCC.
 - PLATING: ALL AREA PLATING 3.75um NICKEL Min
 - LOCATOR: PBT, BLACK.
 - HOLDDOWN : COPPER ALLOY
 - PLATING: BRIGHT PURE TIN 2.54um Min
 - OVER 0.508um NI Min

- FINISH (PIN)
 - UNDER PLATING :1.27um MIN. Ni
 - CONTACT AREA :0.075um MIN. GOLD OVER
 - SOLDER TAIL : 2.5 um MIN.PURE TIN

3. DIM "X"

4.25±0.1	3.5±0.1	5.0±0.1
OTHERS	36,67	1,17,34,35,51,68

- IF LEAD FREE P/N, THE HOUSING WILL WITHSTAND EXPOSURE TO 260° C PEAK TEMPERATURE FOR 10 SECONDS IN A WAVE SOLDER APPLICATION WITH A 1.00MM MINIMUM THICK CIRCUIT BOARD.
- LEAD FREE PRODUCT MEETS EUROPEAN UNION DIRECTIVES AND OTHER COUNTRY REGULATIONS AS DISCRIBLED IN GS-22-008
- IF LEAD FREE P/N, PACKAGE MEETS GS-14-1090 SPECIFICATION



Copyright FCI.

www.fciconnect.com			surface 6.4/	tolerance std	projection			
			Iso 1302	Iso406 Iso 1101		--		
			TOLERANCES UNLESS OTHERWISE SPECIFIED					
Dr	MIKE ZHOU	11/20/06	ANGULAR	LINEAR	0.X	± 0.3	size A4	Scale 1.000
Eng	MIKE ZHOU	11/20/06			0.XX	± 0.15		
Chr	QIN DAVID	11/20/06			0.XXX	± 0.05		
Appr	WANG JACK	11/20/06	Product family PCMCIA			Spec ref *		
		title PCMCIA ASS'Y (5V)			dwg no 10074595		Rev. J	
		catalog no *			CUSTOMER		sheet 2 of 4	

REV F - 2006-04-17

1

2

3 PDM: Rev:J

STATUS: Released

4 Printed: Nov 17, 2010

1

2

3

4

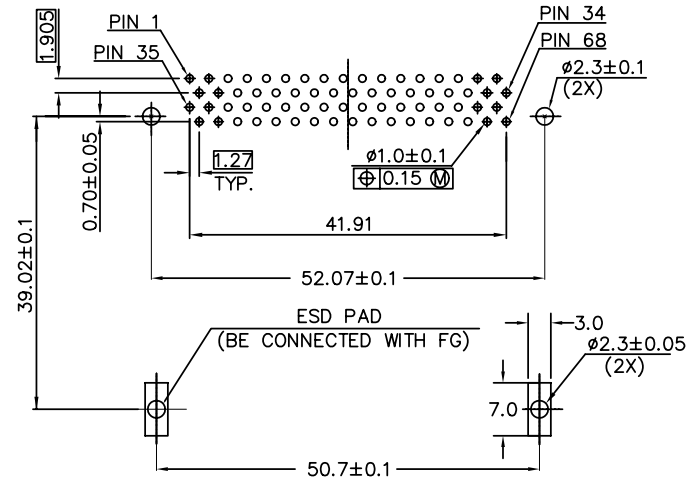
PRODUCT NO.
10074595-001LF/000MLF

A

B

C

D



4 CARD INSERTION DIRECTION
RECOMMENDED FOOT PRINT(MOUNTED SIDE)

A

B

C

D



Copyright FCI.

www.fciconnect.com			surface 6.4/ Iso 1302	tolerance std Iso406 Iso 1101	projection --		
			TOLERANCES UNLESS OTHERWISE SPECIFIED		size A4		Scale 1.000
Dr	MIKE ZHOU	11/20/06	ANGULAR	LINEAR	0.X	± 0.3	ECN N10-0205
Eng	MIKE ZHOU	11/20/06			0.XX	± 0.15	
Chr	QIN DAVID	11/20/06	0°	±2°	0.XXX	± 0.05	
Appr	WANG JACK	11/20/06	Product family PCMCIA		Spec ref *		
		title PCMCIA ASS'Y (5V)			dwg no 10074595		Rev. J
		catalog no *			CUSTOMER		sheet 3 of 4

REV F - 2006-04-17

1

2

3 PDM: Rev:J

STATUS: Released

4 Printed: Nov 17, 2010

1

2

3

4

PRODUCT NO.
10074595-051MLF/050MLF

A

A

B

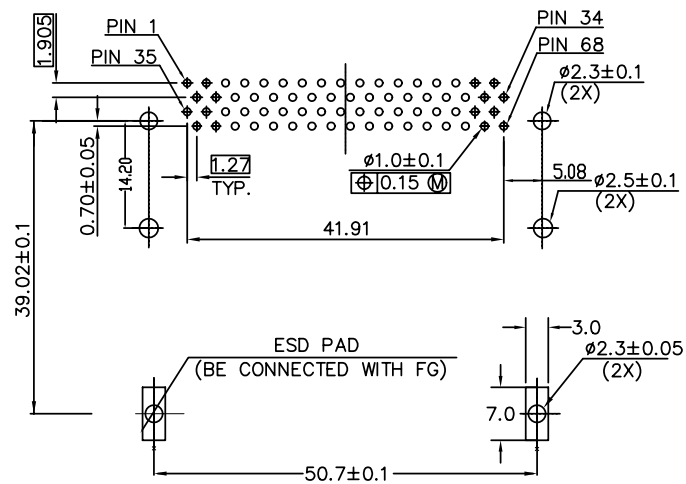
B

C

C

D

D



↓ CARD INSERTION DIRECTION
RECOMMENDED FOOT PRINT(MOUNTED SIDE)



Copyright FCI.

www.fciconnect.com			surface 6.4/ Iso 1302	tolerance std Iso406 Iso 1101	projection --		
			TOLERANCES UNLESS OTHERWISE SPECIFIED		size A4		Scale 1.000
Dr	MIKE ZHOU	11/20/06	ANGULAR	LINEAR	0.X	± 0.3	ECN N10-0205
Eng	MIKE ZHOU	11/20/06			0.XX	± 0.15	
Chr	QIN DAVID	11/20/06	0°	±2°	0.XXX	± 0.05	
Appr	WANG JACK	11/20/06	Product family PCMCIA		Spec ref *		
		title PCMCIA ASS'Y (5V)			dwg no 10074595		Rev. J
		catalog no *			CUSTOMER		sheet 4 of 4

REV F - 2006-04-17

1

2

3 PDM: Rev:J

STATUS: Released

4 Printed: Nov 17, 2010