

6

5

4

3

2

1

MODEL NUMBER	S9025PLRASMAF
CONNECTOR	RIGHT ANGLE SMA-TYPE, FEMALE
FREQUENCY	902 MHz - 928 MHz
GAIN	5.5 dBic
AXIAL RATIO	2 dB TYPICAL
NORMAL IMPEDANCE	50 Ω
POLARIZATION	CIRCULAR, LEFT
BEAMWIDTH	100 DEGREES
VSWR	1.5:1
F/B	8 Db
POWER	10 W
WEIGHT	0.37 kg (0.8 lb)

REVISIONS				
REV.	ECR #	DESCRIPTION	CHANGED BY/DATE	APPROVED BY/DATE
AA	4048	INITIAL RELEASE PER	MCL 02-04-2010	S.J. 02-04-2010

D

D

C

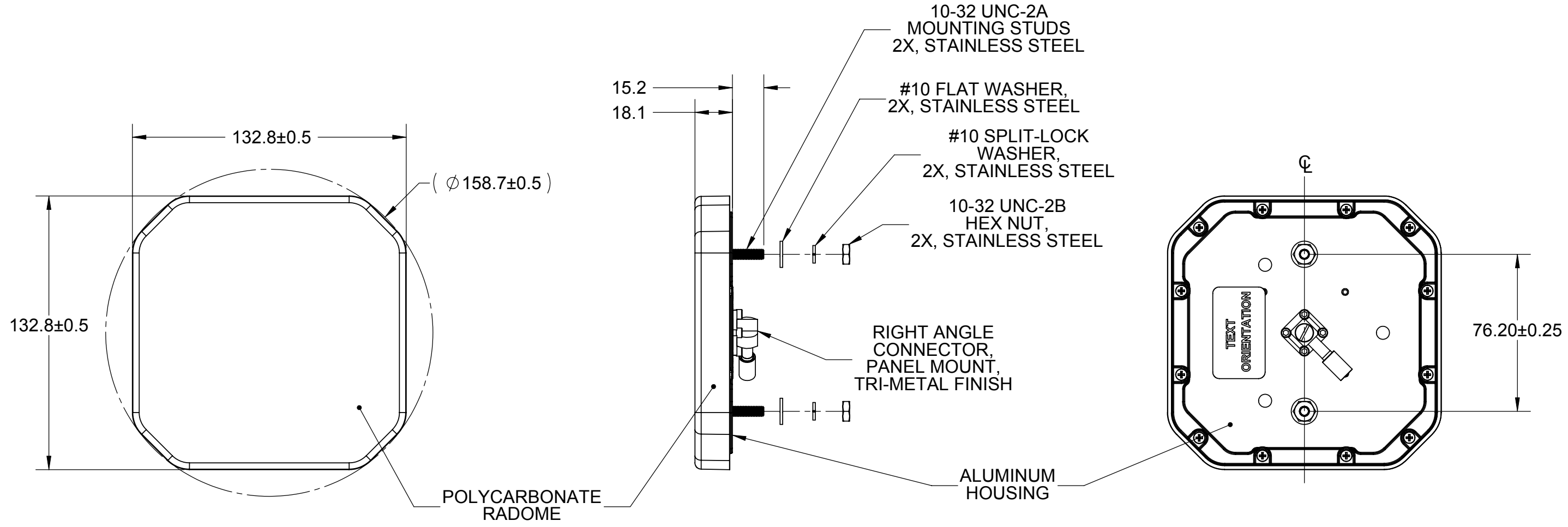
C

B

B

A

A



MATERIAL: N/A		THIRD ANGLE PROJECTION					
FINISH: N/A							
APPROVALS		DATE		S9025PLRASMAF DO NOT SCALE DRAWING INTERPRET DIMENSIONING AND TOLERANCING IN ACCORDANCE WITH ASME Y14.5M-2009 TOLERANCES UNLESS OTHERWISE SPECIFIED DIMENSIONS ARE IN MILLIMETERS			
DRAWN BY	M.LABONVILLE	02-04-2010					
PROJ. ENG.	T. PETROPOULOS	02-04-2010					
APPL. MECH.	S.JOHNSON	02-04-2010					
MFG.	I. CHICKLIS	02-04-2010		ANGLE: ±30' 0 PLACE DECIMAL: ±0.5 1 PLACE DECIMAL: ±0.25 2 PLACE DECIMAL: ±0.13 SURFACE ROUGHNESS 1.6/√	SIZE A3 SCALE: 1:2	DWG. NO. S9025PLRASMAFMO PREVIOUS#	REV AA SHEET 1 OF 1

THIS DRAWING IS UNPUBLISHED. RELEASED FOR PUBLICATION -- .
 © Copyright 2022 TE Connectivity Ltd. ALL RIGHTS RESERVED.

6

5

4

3

2

1