

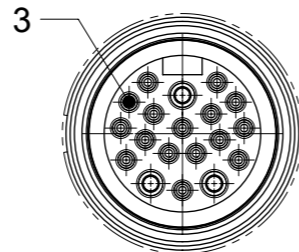
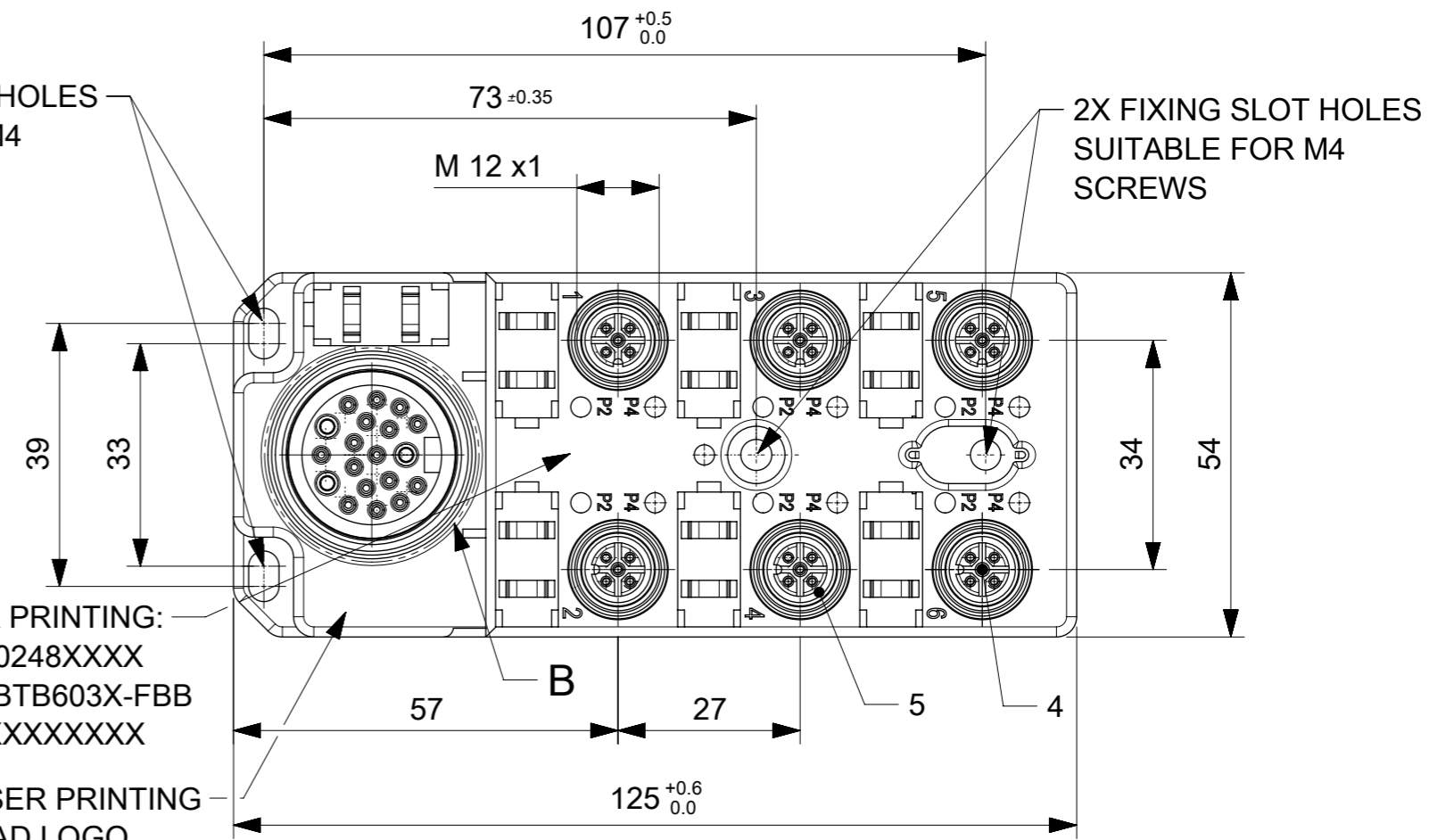
TABLE 1

MOLEX P/N	ENG. NO.	LED
1202480079	BTB6030-FBB	NO
1202480080	BTB603P-FBB	YES
1202480081	BTB603N-FBB	YES

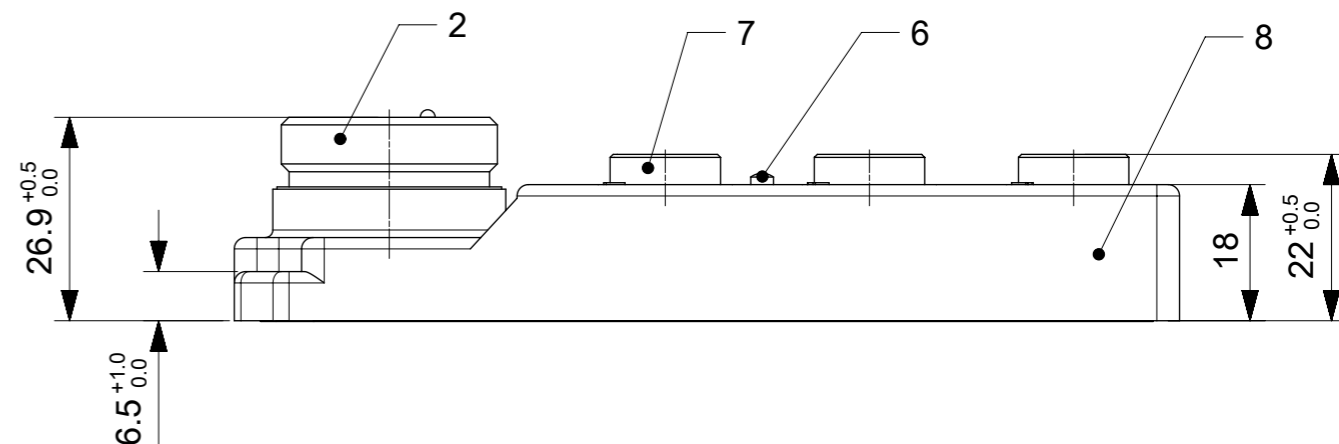
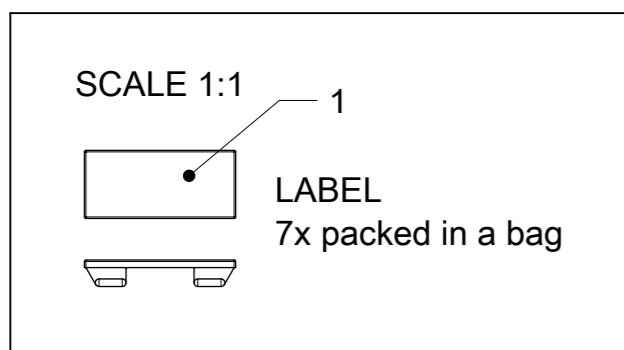
TABLE 2 BILL OF MATERIAL

ITEM	DESCRIPTION	MATERIAL	FINISH
1	LABEL	ABS	WHITE
2	SHELL	BRASS	NICKEL PLATED
3	CONTACT	BRASS	GOLD OVER NICKEL
4	CONTACT	BRONZE	GOLD OVER NICKEL
5	O-RING	FPM	RED
6	LED	NO LED = PA	BLACK
		WITH LED = PA	TRANSPARENT
7	SHELL	BRASS	NICKEL PLATED
8	HOUSING	PBT	BLACK

2X FIXING SLOT HOLES
SUITABLE FOR M4
SCREWS



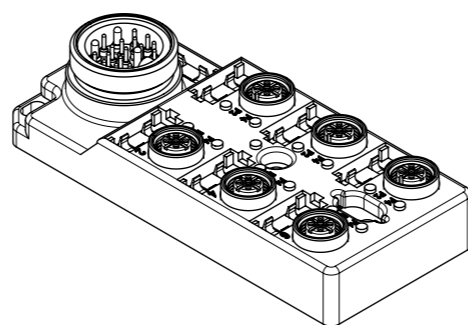
DETAIL B
SCALE 1:1
NOTE - PINS 7, 8, 12
NOT USED



GENERAL CHARACTERISTICS:

ELECTRICAL AND MECHANICAL DATA ACC. TO IEC 61076-2-101

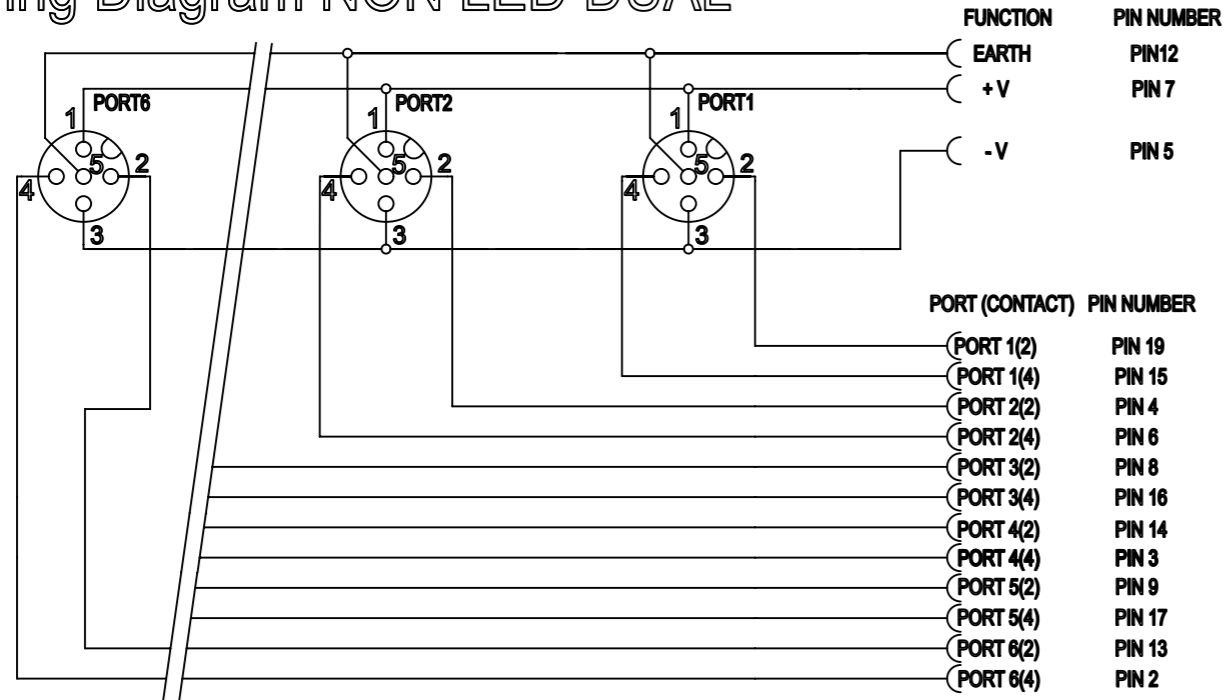
NOMINAL VOLTAGE: 10-30 V DC
 AMPERE RATING: 4 A PER PORT / 12 A MAX
 AMPERE RATING WITH UL REGISTRATION: 3 A PER PORT / 9 A MAX
 IP DEGREE OF PROTECTION: IP 67
 TEMPERATURE RANGE: -25°C to + 85°C



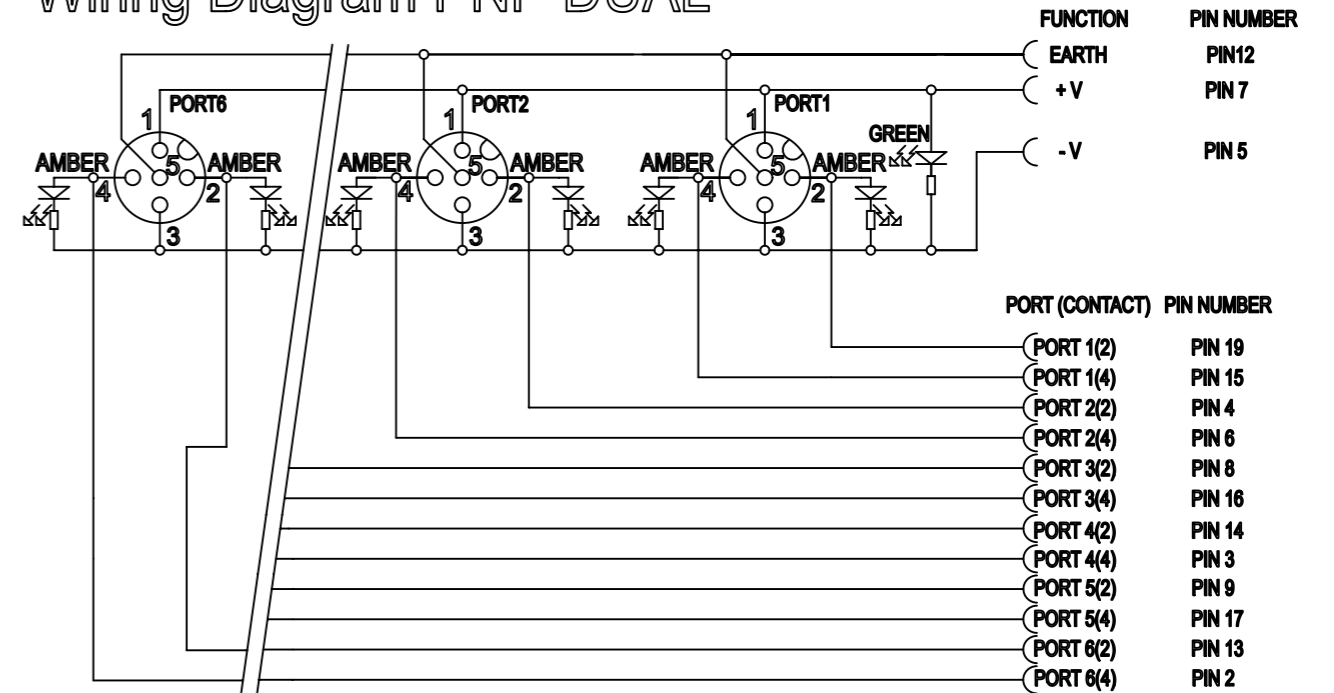
SCALE 1:2

SYMBOLS		THIS DRAWING CONTAINS INFORMATION THAT IS PROPRIETARY TO MOLEX ELECTRONIC TECHNOLOGIES, LLC AND SHOULD NOT BE USED WITHOUT WRITTEN PERMISSION	
DIMENSION UNITS	SCALE	CURRENT REV DESC:	LASER PRINTING ADDED
mm		EC NO:	606042
GENERAL TOLERANCES (UNLESS SPECIFIED)		DRWN:	MDHARMANTI 2018/08/31
ANGULAR TOL	± °	CHK'D:	RSILLER 2018/10/18
4 PLACES	±	APPR:	RSILLER 2018/10/18
3 PLACES	±	INITIAL REVISION:	
2 PLACES	±	DRWN:	ULETTENMEIER 2016/04/14
1 PLACE	±	APPR:	RSILLER 2017/01/18
0 PLACES	± 0.25	THIRD ANGLE PROJECTION	
DRAFT WHERE APPLICABLE MUST REMAIN WITHIN DIMENSIONS		DRAWING	A3-SIZE
		SERIES	120248
		MATERIAL NUMBER	SEE TABLE 1
		CUSTOMER	GENERAL MARKET
		DOCUMENT NUMBER	1202480079
		DOC TYPE	PSD
		DOC PART	000
		REVISION	B
		SHEET NUMBER	1 OF 2

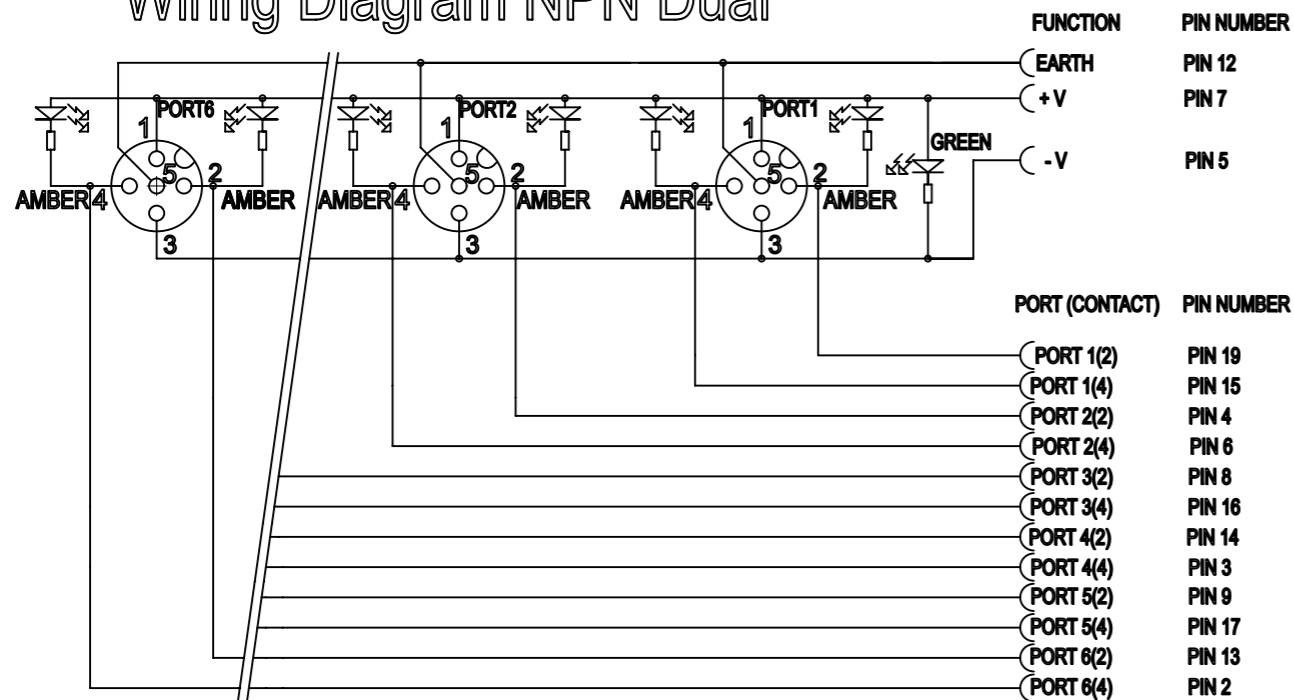
Wiring Diagram NON LED DUAL



Wiring Diagram PNP DUAL



Wiring Diagram NPN Dual



SYMBOLS	THIS DRAWING CONTAINS INFORMATION THAT IS PROPRIETARY TO MOLEX ELECTRONIC TECHNOLOGIES, LLC AND SHOULD NOT BE USED WITHOUT WRITTEN PERMISSION		CURRENT REV DESC: LASER PRINTING ADDED		molex
	DIMENSION UNITS	SCALE	EC NO: 606042		
▽ = 0	mm		DRWN: MDHARMANTI	2018/08/31	PRODUCT CUSTOMER DRAWING
▽ = 0	GENERAL TOLERANCES (UNLESS SPECIFIED)		CHK'D: RSILLER	2018/10/18	
▽ = 0	ANGULAR TOL ± °		APPR: RSILLER	2018/10/18	DOCUMENT NUMBER
▽ = 0	4 PLACES ±		INITIAL REVISION:		1202480079
▽ = 0	3 PLACES ±		DRWN: ULETENMEIER	2016/04/14	DOC TYPE
▽ = 0	2 PLACES ±		APPR: RSILLER	2017/01/18	DOC PART
▽ = 0	1 PLACE ±		MATERIAL NUMBER		PSD
▽ = 0	0 PLACES ± 0.25		CUSTOMER		000
▽ = 0	DRAFT WHERE APPLICABLE MUST REMAIN WITHIN DIMENSIONS		THIRD ANGLE PROJECTION	DRAWING	REVISION
▽ = 0			A3-SIZE	SERIES	B
			120248	SEE TABLE 1	SHEET NUMBER
			GENERAL MARKET		2 OF 2