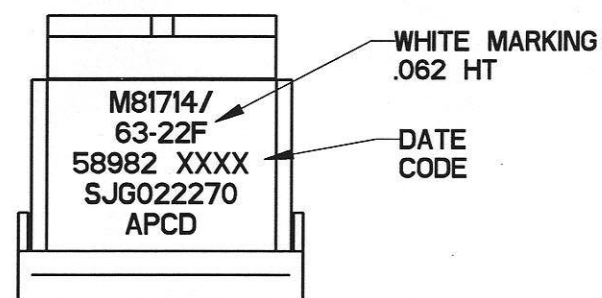
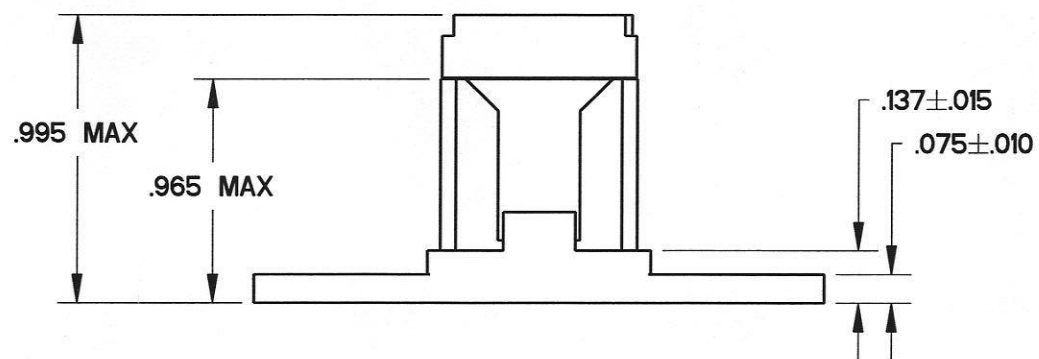
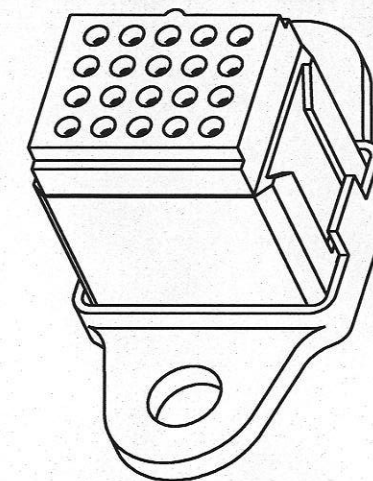
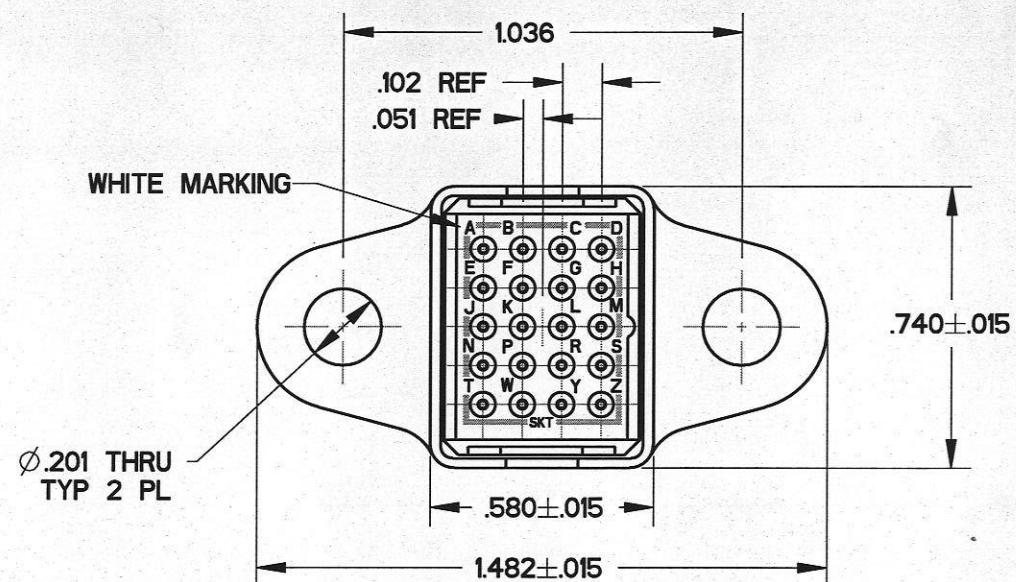


REV	ECN	APP'D
D	6024	JT 4-12-07



NOTES:

- MATERIALS:**
 BODY: POLYETHERIMIDE PER ASTM-D5205.
 GROMMET: SILICONE BLEND ELASTOMER PER A-A-59588.
 CONTACT RETAINERS: STAINLESS STEEL.
 SHELL/STUD: COPPER ALLOY, GOLD PLATE PER SAE-AMS-2422
 MOUNTING HARDWARE: (SUPPLIED SEPARATELY)
 STEEL, CADMIUM FINISH PER SAE-AMS-QQ-P-416
- PERFORMANCE SPECIFICATIONS:**
 MEETS ALL PERFORMANCE REQUIREMENTS OF MIL-T-81714.
- MODULE ACCEPTS M39029/22-191 CONTACTS AND MS27488-22-1 SEALING PLUGS. SEE TABLE
- ANTI ROTATION TAB SHALL ENTER INTO MOUNTING HOLE.

APCD P/N	SUPPLIED		MARKING
	SKTS	PLUGS	APCD PART NO.
SJG022270	21	2	SJG022270
SJG022271	-	-	

DIMENSIONS ANSI Y14.5M UNITS: INCHES Pro/E FILE	TOLERANCES .XX ±0.01 .XXX ±0.005 ANGLES ±2.0°	PROJECTION 	Amphenol Pcd SPECIFICATION DRAWING		TITLE SJG, SIZE 22, FLANGE GROUNDING MODULE GOLD PLATED		
			DRWN R. SWAINE 4/11/07	ENGR 4/11/07	SIZE B	DWG NO. SJG022270	REV D
ORIGINAL 	THIS DOCUMENT CONTAINS PROPRIETARY INFORMATION WHICH IS THE CONFIDENTIAL PROPERTY OF AMPHENOL PCD INC., PEABODY, MA			APPD 4-12-07	CODE: 58982	SCALE: 2:1	SHEET 1 OF 1

SJG022270

SJG022270