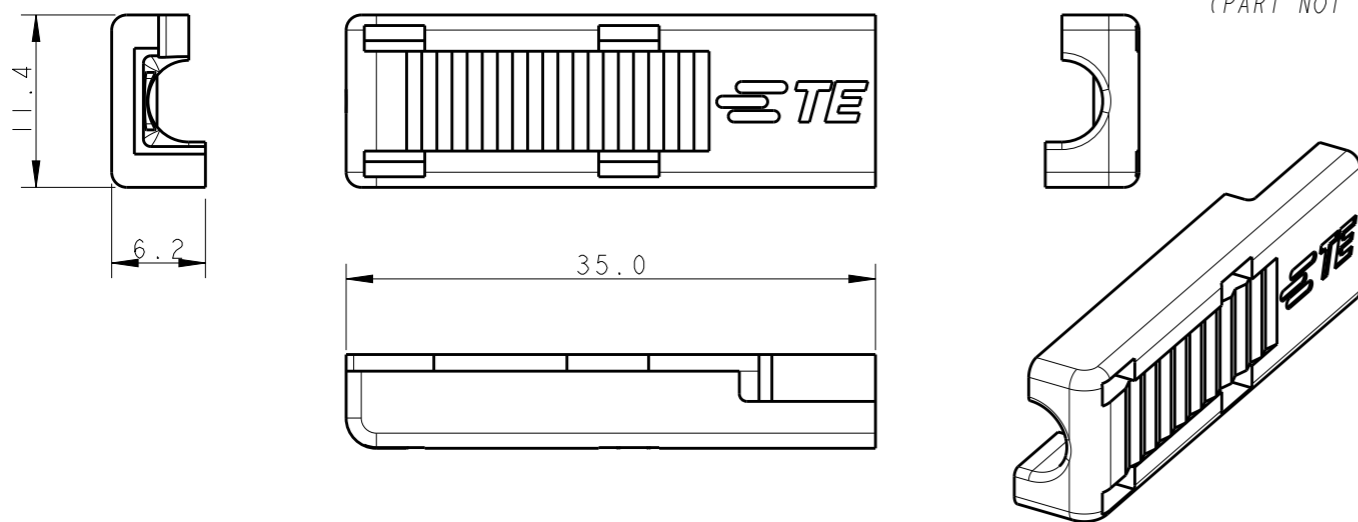


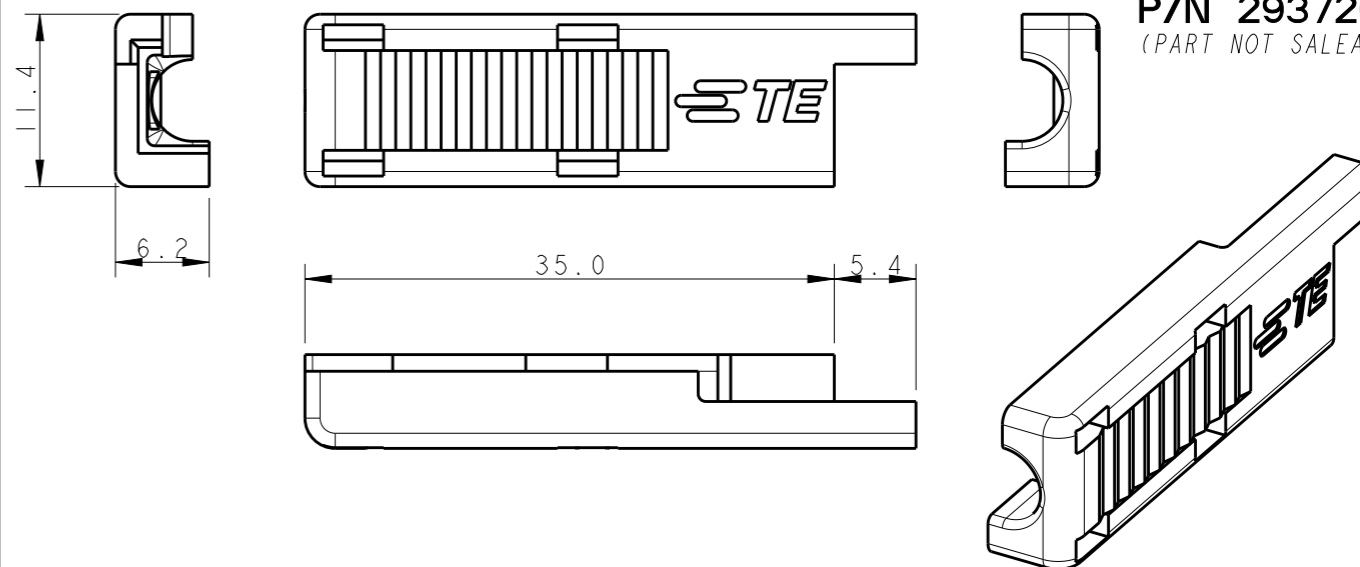
THIS DRAWING IS UNPUBLISHED. RELEASED FOR PUBLICATION 2010
 © COPYRIGHT 2010 BY TYCO ELECTRONICS CORPORATION. ALL INTERNATIONAL RIGHTS RESERVED.

LOC	DIST	REVISIONS					
		P	LTR	DESCRIPTION	DATE	DWN	APVD
1	-	3		REVISED: ADDED PARTS WITH POLARIZATIONS	08NOV2010	D.C.	G.T.
		4		REVISED: LOGO UPDATE ON "A" COVERPARTS	25AUG2011	D.C.	G.T.
		A		RELEASED FOR PRODUCTION P/N 293734-1	20DEC2011	D.C.	G.T.
		AI		REVISED PER ECR-14-006523	12MAY2014	RS	DD

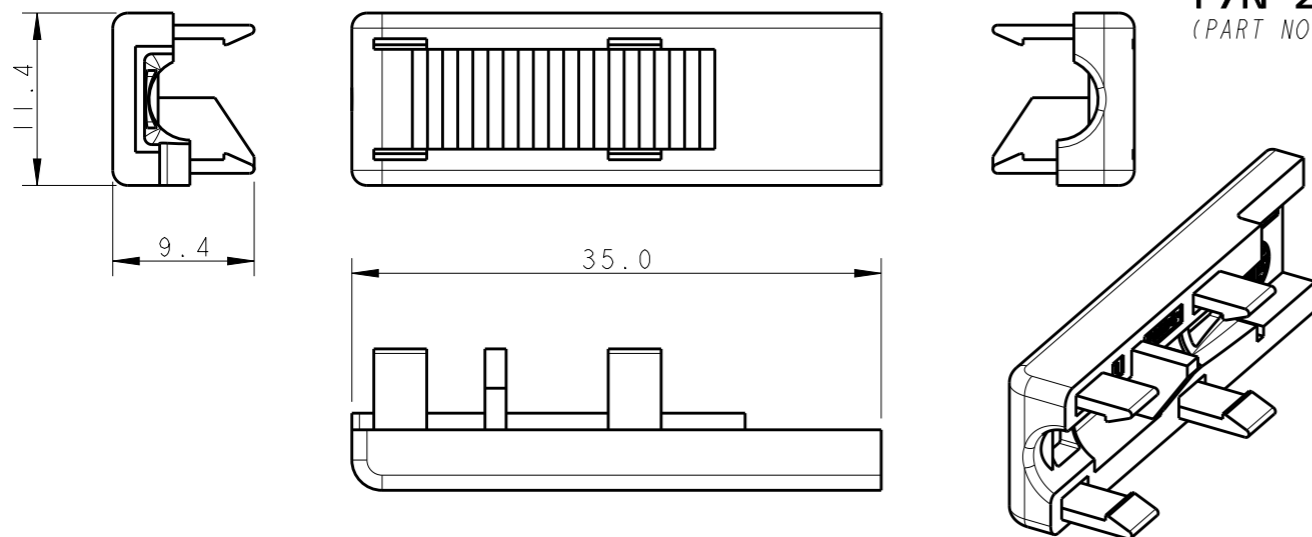
COVERPART "A"
P/N 293726-1
 (PART NOT SALEABLE)



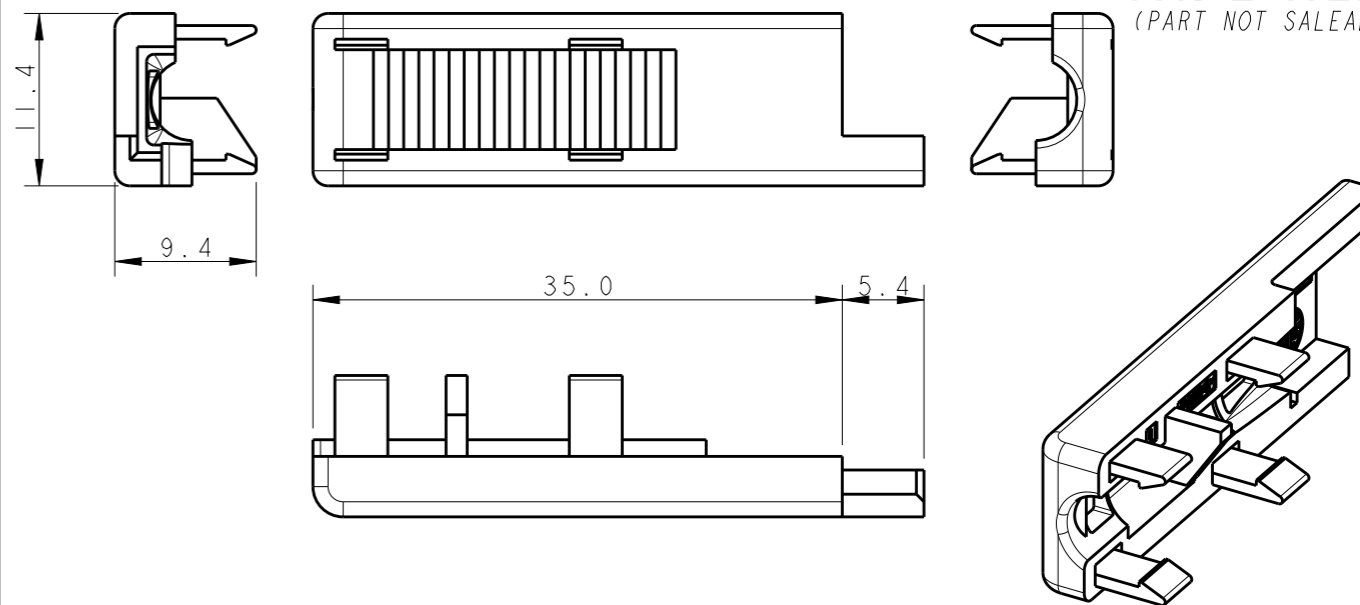
COVERPART "A"
P/N 293726-2
 (PART NOT SALEABLE)



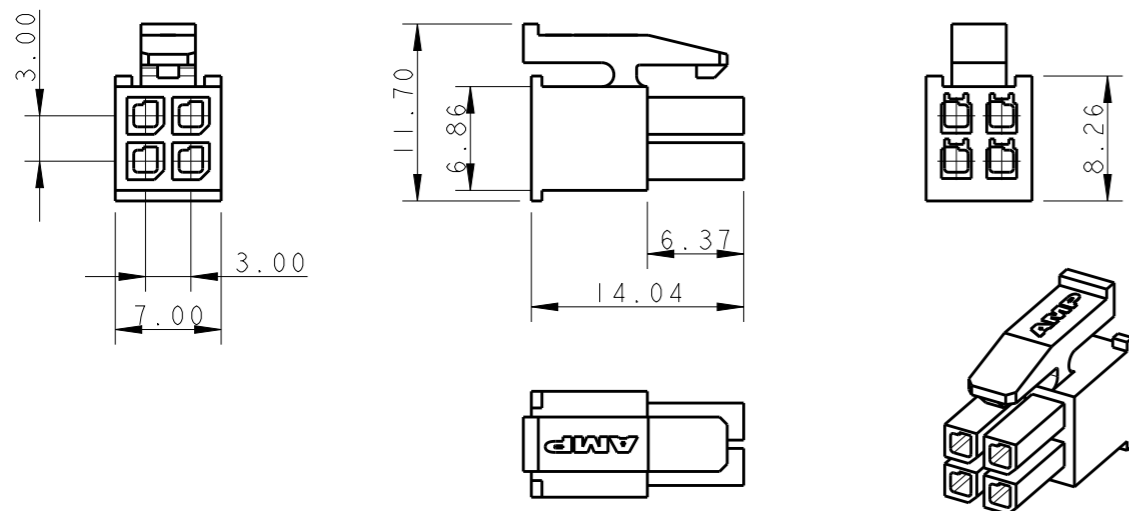
COVERPART "B"
P/N 293727-1
 (PART NOT SALEABLE)



COVERPART "B"
P/N 293727-2
 (PART NOT SALEABLE)



4 POS. PLUG HOUSING
P/N 794617-4



THIS DRAWING IS A CONTROLLED DOCUMENT FOR TYCO ELECTRONICS CORPORATION
 IT IS SUBJECT TO CHANGE AND THE CONTROLLING ENGINEERING ORGANIZATION
 SHOULD BE CONTACTED FOR THE LATEST REVISION.

DIMENSIONS: mm		TOLERANCES UNLESS OTHERWISE SPECIFIED:	
	0 PLC ±0.5	1 PLC ±0.3	
	2 PLC ±0.2	3 PLC ±	
	4 PLC ±	ANGLES ±	°
MATERIAL NYLON, UL94-V0 BLACK	FINISH -		

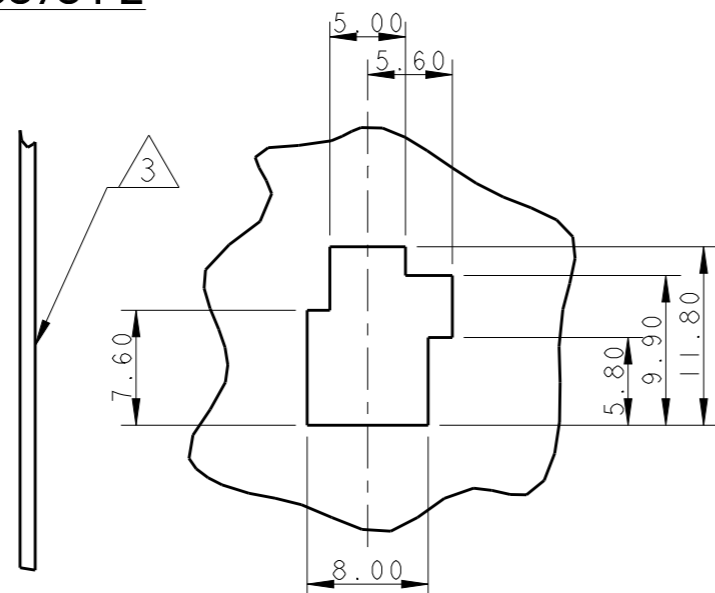
DWN D. CHIARELLI 23JUN2010	23JUN2010
CHK D. CHIARELLI 23JUN2010	23JUN2010
APVD G. TURCO 23JUN2010	
PRODUCT SPEC 108-20314	
APPLICATION SPEC 114-20157	
WEIGHT -	
Customer Drawing	

		Tyco Electronics AMP Italia S.r.l. C.so F.lli Cervi, 15 - Collegno (TO)	
NAME 4 POS. COVERPART FOR 4 POS. MICRO MATE-N-LOK PLUG HOUSING P/N 794617-4			
SIZE A300779	CAGE CODE C-293734	DRAWING NO	RESTRICTED TO
SCALE 2:1		SHEET 1	OF 2
		REV AI	

LOC	DIST	REVISIONS			
P	LTR	DESCRIPTION	DATE	DWN	APVD
		SEE SHEET 1			

PANEL CUTOUT FOR P/N 293734-2

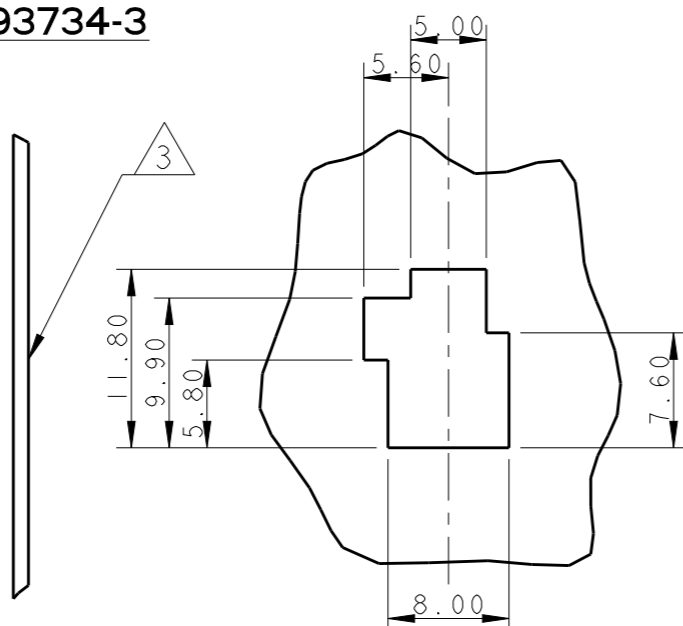
CONNECTOR P/N 293734-2
MATING DIRECTION →



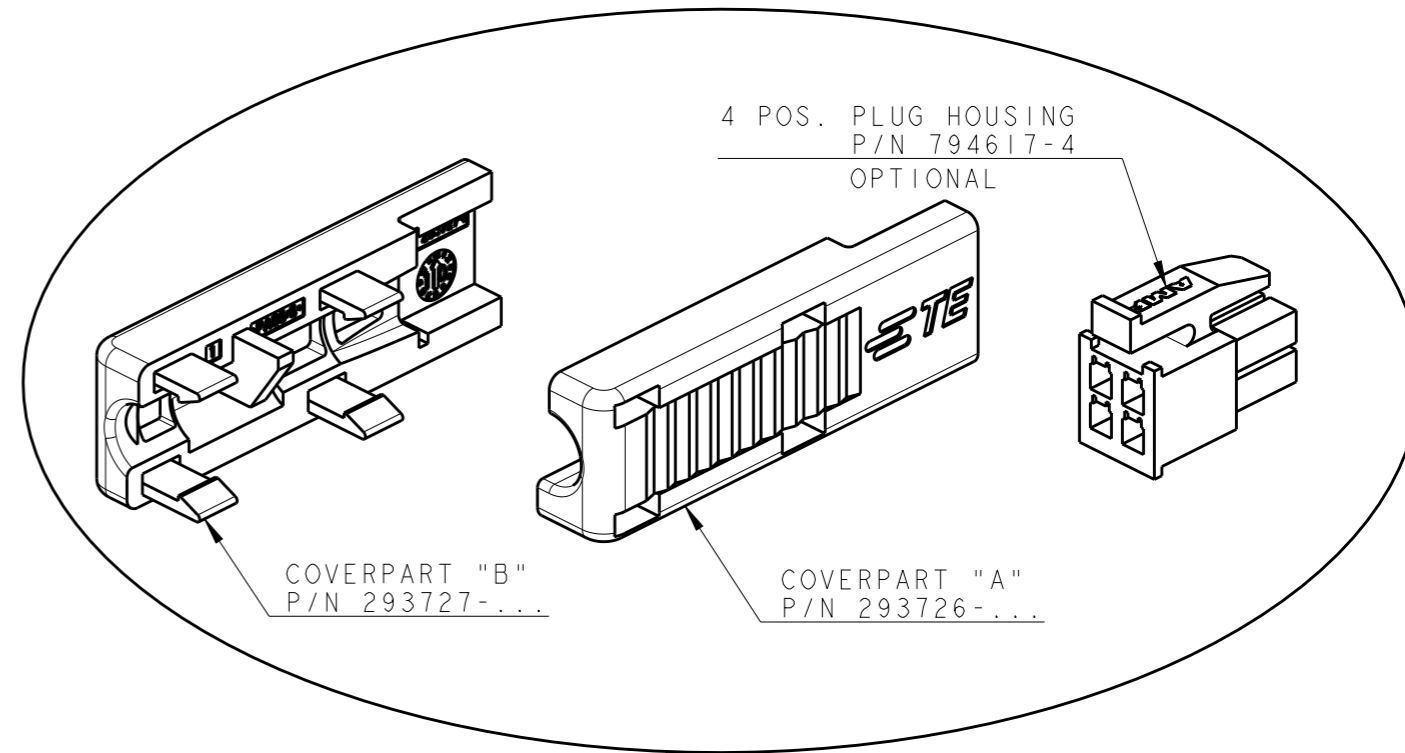
TOLERANCES ±0.10 FOR ALL
THE DIMENSIONS OF THE PANEL

PANEL CUTOUT FOR P/N 293734-3

CONNECTOR P/N 293734-3
MATING DIRECTION →



TOLERANCES ±0.10 FOR ALL
THE DIMENSIONS OF THE PANEL



4 POS. COVERPART P/N 293734-...

- PACKAGING: ACCORDING TO THE COMPONENT TABLE, CARTON BOX CONTAINING:
 - N°500 PIECES OF COVERPART "A" P/N 293726-...
 - N°500 PIECES OF COVERPART "B" P/N 293727-...
 - N°500 PLUG HOUSINGS P/N 794617-4
- ADMITTED CABLES MUST HAVE EXTERNAL DIAMETER OF 5,0±0,2mm AND MUST BE OF THE FOLLOWING TYPE:
 - LiYY 4x0,34mm² (MAX. N°4 CONTACTS P/N 794606-1 MUST BE CRIMPED ON THIS CABLE)
 - LiYY 4x22AWG UL AWM STYLE 2464 / 1061 (MAX. N°4 CONTACTS P/N 794606-1 MUST BE CRIMPED ON THIS CABLE)

3 ON THIS SIDE OF THE PANEL THERE IS THE COUNTERPART CONNECTOR, TYCO ELECTRONICS P/N 794639-4

4 NOT RELEASED FOR PRODUCTION

-	293727-1	293726-1	293734-4	4
794617-4	293727-2	293726-1	293734-3 (POLARIZED VERSION 2)	4
794617-4	293727-1	293726-2	293734-2 (POLARIZED VERSION 1)	4
794617-4	293727-1	293726-1	293734-1 (STANDARD VERSION)	
4 POS. PLUG HOUSING	COVERPART "B"	COVERPART "A"	PART NUMBER	
COMPONENTS				

THIS DRAWING IS A CONTROLLED DOCUMENT FOR TYCO ELECTRONICS CORPORATION
IT IS SUBJECT TO CHANGE AND THE CONTROLLING ENGINEERING ORGANIZATION
SHOULD BE CONTACTED FOR THE LATEST REVISION.

DIMENSIONS:		TOLERANCES UNLESS OTHERWISE SPECIFIED:	
mm		0 PLC	±0.5
		1 PLC	±0.3
		2 PLC	±0.2
		3 PLC	±
		4 PLC	±
MATERIAL		ANGLES	±°
FINISH			

DWN	23 JUN 2010
D. CHIARELLI	
CHK	23 JUN 2010
D. CHIARELLI	
APVD	23 JUN 2010
G. TURCO	
PRODUCT SPEC	108-20314
APPLICATION SPEC	114-20157
WEIGHT	-

STE Tyco Electronics AMP Italia S.r.l.
C.so F.lli Cervi, 15 - Collegno (TO)

NAME			
4 POS. COVERPART FOR 4 POS. MICRO MATE-N-LOK PLUG HOUSING P/N 794617-4			
SIZE	CAGE CODE	DRAWING NO	RESTRICTED TO
A3	00779	C-293734	-

Customer Drawing	SCALE 2:1	SHEET 2 OF 2	REV A1
------------------	-----------	--------------	--------