

Figure A: Transceiver Block Diagram

General Description

The SX1280/1 transceiver family provides ultra long range communication in the 2.4 GHz band with the linearity to withstand heavy interference. This makes them the ideal solution for robust and reliable wireless solutions. They are the first ISM band transceiver IC of their kind to integrate a time-of-flight functionality, opening up application solutions to track and localize assets in logistic chains and people for safety. These long range 2.4 GHz products include multiple physical layers and modulations to optimize long range communication at high data rate for video and security applications. Very small products for wearables can easily be designed thanks to the high level of integration and the ultra-low current consumption which allows the use of miniaturized batteries.

The radio is fully compliant with all worldwide 2.4 GHz radio regulations including EN 300 440, FCC CFR 47 Part 15 and the Japanese ARIB STD-T66.

The level of integration, low consumption and ranging functions within the long range 2.4 GHz product line enable enhanced connectivity and provide additional functionality to a new generation of previously unconnected devices and applications.

Key Features

- Long Range 2.4 GHz transceiver
- High sensitivity, down to -132 dBm
- +12.5 dBm, high efficiency PA
- Low energy consumption, on-chip DC-DC
- LoRa®, FLRC, (G)FSK supported modulations
- Programmable bit rate
- Excellent blocking immunity
- Standard & Advanced Ranging Engine, Time-of-Flight
- BLE PHY layer compatibility
- Low system cost

Applications

- Home automation & appliances
- IIoT Asset Management and Safety
- Logistics Tracking applications
- Sports /Fitness sensors and smart watches
- Radio-controlled toys & drones
- Agriculture
- Healthcare

Ordering Information

Part Number	Delivery	Order Quantity
SX1280IMLTRT	Tape & Reel	3'000 pieces
SX1281IMLTRT	Tape & Reel	3'000 pieces

QFN 24 Package, with the temperature operating range from -40 to 85°C

Pb-free, Halogen free, RoHS/WEEE compliant product

Revision History

Version	ECO	Date	Changes and/or Modifications
Rev 1.0	035543	February 2017	First Release
Rev 1.1	037029	May 2017	Added table of effective data rates for the LoRa® Modem Correction of the formulas for time-on-air in LoRa® Correction of typos in the chapter Host Controller Interface Update of the application schematic with optional TCXO Update of the reference design BOM Deletion of redundant information in the chapter Thermal Impedance
Rev 2.0	040575	February 2018	The maximum SPI clock speed is reduced to 18 MHz Addition of a note in chapter 6.2.3 "Bandwidth" on SF and BW to be known in advance Addition of chapter 6.2.6 "Frequency Error" Addition of calculations of time-on-air in chapter 7.5 "LoRa Ranging Engine Packet" Addition of examples of SPI communication in chapter 11 "Host Controller Interface" Update of explanation on SetAutoTx in chapter 13.2.4 "BLE Specific Functions" Update of ranging results description in chapter 13.5 "Ranging Operation" Addition of an explanation of the Reference Design in chapter 14.1 "Reference Design" Addition of the tape and reel specifications in chapter 15 "Packaging Information" Addition of LoRa® and Bluetooth® trademark information
Rev 2.1	041639	April 2018	Maximum RF input power (ML) is now 0 dBm Phase noise at 2.45 GHz with 1 MHz offset (PHN) is now -115 dBc/Hz Correction of minor typographical errors in tables 6-5, 6-7, 13-20 and in chapter 7.2 Addition of formulas for ranging duration in chapter 7.5.4 Addition of description of RSSI packet for LoRa® when SNR ≤ 0 in table 11-64 Correction of package thickness to 0.9 mm in chapter 15.1 Addition of package marking in chapter 15.2

Version	ECO	Date	Changes and/or Modifications (Continued)
			<p>The following specifications have been changed:</p> <ul style="list-style-type: none"> The 3rd order input intercept for maximum low power gain setting (IIP3) <ul style="list-style-type: none"> - at 6 MHz offset, has been changed from -6 dBm to -12 dBm - at 10 and 20 MHz offset, has been improved from -6 dBm to 0 dBm IDDSTDBYRC has been improved from 760 μA to 700 μA IDDSTDBYXOSC has been improved from 1.2 mA to 1 mA PHN 10 MHz has been improved from -133 dBc/Hz to -135 dBc/Hz TS_OS has been improved from 100 μs to 40 μs RFSHS_L, SF7, BW = 1625 kHz, has been changed from -109 dBm to -108 dBm
Rev 2.2	041738	May 2018	<p>The switching times have been modified for the following transitions:</p> <ul style="list-style-type: none"> SLEEP to STDBY_RC from 1700 μs to 1200 μs SLEEP to STDBY_RC from 250 μs to 130 μs STDBY_RC to STDBY_XOSC from 53 μs to 40 μs STDBY_RC to FS from 83 μs to 55 μs STDBY_RC to Rx from 115 μs to 85 μs STDBY_RC to Tx from 102 μs to 80 μs STDBY_XOSC to FS from 40 μs to 54 μs <p>Table 6-2 now gives the raw data rates when using LoRa[®]</p> <p>Formulas of time-on-air for long interleaving in LoRa[®] mode have been updated in chapter 7.4.4</p>
			<p>SX1282 Added to the product family together with descriptions of its Advanced Ranging functionality.</p> <p>Improved description and detail of register retention in the Sleep Mode description of Section 11.5</p> <p>FSK Mode enhanced Synch word description and graphics in Section 7 and Section 11, Tx mode now described in full.</p>
Rev 3.0	047476	July 2019	<p>Reference to long interleaving removed from ranging section.</p> <p>Detailed description of SPI bus sharing without false detection as UART interface.</p> <p>Correction of maximum FLRC Bandwidth to 1.2 MHz.</p> <p>Correction of FLRC sensitivity specification to 1.2 MHz value.</p>
Internal Release			

Version	ECO	Date	Changes and/or Modifications (Continued)
Rev 3.1	048727	September 2019	<p>Added table of device registers.</p> <p>Change of VBAT_IO tolerance down to 1.7 V.</p> <p>VOL and VOH Specification update with VBAT_IO = 1.7 V.</p> <p>RTC Calibration process documented.</p> <p>Description of Ranging RSSI added.</p> <p>Image frequency added.</p> <p>FEI Resolution table and description added.</p> <p>Correction of FLRC time on air formulae.</p> <p>Correction of LoRa time on air formulae.</p> <p>Performance counter test mode removed.</p> <p>Correction of coding rate in long interleaving mode.</p> <p>Typographical corrections.</p> <p>LoRa modem frequency error tolerance reduced.</p> <p>UART Speed change functionality documented.</p> <p>SNR Usage clarified.</p> <p>BER Specification for FSK Updated</p> <p>FLRC IRQ modification</p>
Rev 3.2	051322	March 2020	<p>Text and typographical corrections.</p> <p>Integration of SX1282 functionality into SX1280.</p> <p>Additional registers added to the register map.</p> <p>TCXO Output voltage added.</p> <p>FLRC CRC length correction.</p> <p>Description on high traffic, continuous mode issue.</p> <p>Description of FLRC elevated PER for certain Synch Word settings.</p>

Table of Contents

General Description.....	1
Key Features.....	1
Applications.....	1
Ordering Information.....	2
Revision History.....	2
List of Figures.....	10
List of Tables.....	11
1. Introduction.....	15
1.1 Analog Front End.....	15
1.2 Power Distribution.....	15
1.3 Modem.....	15
1.4 Packet Processing.....	16
1.5 Digital Interface and Control.....	16
2. Pin Connections.....	17
2.1 Transceiver Pinout.....	17
2.2 Package view.....	18
3. Specifications.....	19
3.1 ESD Notice.....	19
3.2 Absolute Minimum and Maximum Ratings.....	19
3.3 Operating Range.....	19
3.4 General Electrical Specifications.....	20
3.5 Receiver Electrical Specifications.....	21
3.5.1 Receiver Specifications.....	21
3.5.2 LoRa® Modem.....	22
3.5.3 FLRC Modem.....	24
3.5.4 FSK Modem.....	25
3.6 Transmitter Electrical Specifications.....	26
3.7 Crystal Oscillator Specifications.....	26
3.8 Digital Pin Levels.....	27
4. Analog Front End.....	28
4.1 Transmitter.....	28
4.2 Receiver.....	29
4.2.1 Low Power Mode and High Sensitivity Mode.....	30
4.2.2 Image Frequency.....	30
4.2.3 Wi-Fi and Bluetooth Immunity.....	30
4.3 PLL.....	30
4.4 RC Oscillators.....	31
5. Power Distribution.....	32
5.1 Selecting DC-DC Converter or LDO Regulation.....	32
5.2 Flexible DIO Supply.....	33
6. Digital Baseband.....	34
6.1 Overview.....	34
6.2 LoRa® Modem.....	35

6.2.1 LoRa® Modulation	35
6.2.2 Spreading Factor	35
6.2.3 Bandwidth.....	36
6.2.4 Forward Error Correction Coding Rate	36
6.2.5 Ranging Engine	37
6.2.6 Advanced Ranging	37
6.2.7 Frequency Error.....	37
6.3 FLRC Modem	38
6.3.1 Modem Bandwidth and Data Rates.....	38
6.3.2 FEC Coding Rate	39
6.3.3 Gaussian Filtering.....	40
6.4 FSK Modem	41
6.4.1 Modem Bandwidth and Data Rates.....	41
6.4.2 Modem Modulation Index	42
6.5 Guidance on Modem Selection	43
7. Packet Engine.....	44
7.1 GFSK Packet	45
7.1.1 Fixed-length Packet Format	45
7.1.2 Variable-length Packet Format.....	45
7.2 BLE Packet Format	46
7.3 FLRC Packet	47
7.3.1 FLRC Packet Format.....	47
7.3.2 Fixed-Length Packet Format.....	47
7.3.3 Variable-length Packet Format.....	48
7.3.4 FLRC Time-on-Air.....	48
7.4 LoRa® Packet	49
7.4.1 LoRa® Packet Format.....	49
7.4.2 Explicit (Variable-length) Header Mode.....	49
7.4.3 Implicit (Fixed-length) Header Mode.....	50
7.4.4 LoRa® Time-on-Air.....	50
7.5 LoRa® Ranging Engine Packet	53
7.5.1 Ranging Packet Format.....	53
7.5.2 Ranging Master Exchange	54
7.5.3 Ranging Slave Exchange.....	54
7.5.4 Total Exchange Duration.....	55
7.5.5 Measurement.....	56
8. Data Buffer	57
8.1 Principle of Operation	57
8.2 Receive Operation	58
8.3 Transmit Operation	58
8.4 Using the Data buffer	58
9. Digital Interface and Control.....	59
9.1 BUSY Pin Communication	59
9.2 Interface Detection	59
9.3 SPI Interface	60
9.3.1 SPI Timing	60

9.3.2 SPI Timing When the Transceiver is in Active Mode.....	61
9.3.3 SPI Timing When the Transceiver Leaves Sleep Mode	62
9.4 UART Interface	64
9.4.1 Default UART Settings	64
9.4.2 Setting the UART Speed.....	64
9.5 Pin Sharing	64
9.6 Multi-Purpose Digital Input/Output (DIO)	64
9.7 Transceiver Initialization on a Shared SPI Bus	65
10. Operational Modes.....	67
10.1 Startup	67
10.2 Sleep Mode	67
10.3 Standby Mode	68
10.4 Frequency Synthesis (FS) Mode	68
10.5 Receive (Rx) Mode	68
10.6 Transmit (Tx) Mode	68
10.7 Transceiver Circuit Modes Graphical Illustration	69
10.8 Active Mode Switching Time	70
11. Host Controller Interface.....	71
11.1 Command Structure	71
11.2 SetUartSpeed Command	72
11.3 GetStatus Command	72
11.4 Register Access Operations	74
11.4.1 WriteRegister Command.....	74
11.4.2 ReadRegister Command	75
11.5 Data Buffer Operations	75
11.5.1 WriteBuffer Command.....	75
11.5.2 ReadBuffer.....	76
11.6 Radio Operation Modes	77
11.6.1 SetSleep.....	77
11.6.2 SetStandby.....	78
11.6.3 SetFs.....	78
11.6.4 SetTx.....	79
11.6.5 SetRx.....	80
11.6.6 SetRxDutyCycle	81
11.6.7 SetLongPreamble	82
11.6.8 SetCAD.....	83
11.6.9 SetTxContinuousWave.....	83
11.6.10 SetTxContinuousPreamble.....	83
11.6.11 SetAutoTx.....	84
11.6.12 SetAutoFs	85
11.7 Radio Configuration	85
11.7.1 SetPacketType.....	85
11.7.2 GetPacketType.....	86
11.7.3 SetRfFrequency.....	87
11.7.4 SetTxParams	87
11.7.5 SetCadParams	88

11.7.6 SetBufferBaseAddress	89
11.7.7 SetModulationParams.....	89
11.7.8 SetPacketParams.....	90
11.8 Communication Status Information	92
11.8.1 GetRxBufferStatus.....	92
11.8.2 GetPacketStatus	93
11.8.3 GetRssiInst	95
11.9 IRQ Handling	95
11.9.1 SetDiolrqParams.....	96
11.9.2 GetIrqStatus	97
11.9.3 ClearIrqStatus.....	97
12. List of Commands	99
13. Register Map	101
14. Transceiver Operation.....	104
14.1 GFSK Operation	104
14.1.1 Common Transceiver Settings.....	104
14.1.2 Tx Setting and Operations.....	110
14.1.3 Rx Setting and Operations.....	111
14.2 BLE Operation	113
14.2.1 Common Transceiver Settings.....	113
14.2.2 Tx Setting and Operations.....	116
14.2.3 Rx Setting and Operations.....	117
14.2.4 BLE Specific Functions	119
14.3 FLRC Operation	121
14.3.1 Common Transceiver Settings.....	121
14.3.2 Tx Setting and Operations.....	126
14.3.3 Rx Setting and Operations.....	127
14.4 LoRa® Operation	130
14.4.1 Common Transceiver Settings for LoRa®	130
14.4.2 Tx Setting and Operations.....	133
14.4.3 Rx Setting and Operations.....	134
14.5 Ranging Operation	136
14.5.1 Ranging Device Setting.....	136
14.5.2 Ranging Operation as State Machines	140
14.5.3 Ranging RSSI.....	141
14.6 Advanced Ranging	142
14.6.1 Advanced Ranging Mode Operation.....	142
14.6.2 Advanced Ranging State Machine	143
14.7 Miscellaneous Functions	143
14.7.1 SetRegulatorMode Command	143
14.7.2 Context Saving.....	144
15. Reference Design and Application Schematics	145
15.1 Reference Design	145
15.1.1 Application Design Schematic.....	145
15.1.2 Reference Design BOM	146
15.1.3 Reference Design PCB.....	146

15.2 Application Design with optional TCXO	147
15.3 Application Design with Low Drop Out Regulator	147
15.4 Sleep Mode Consumption	148
16. Errata.....	149
16.1 All Modems: Continuous Receive Mode in Congested Traffic	149
16.1.1 Problem Description.....	149
16.1.2 Problem Solution	149
16.2 LoRa Modem: Additional Header Checks Required	150
16.2.1 Problem Description.....	150
16.2.2 Problem Solution	150
16.3 All Modems: Interrupt with Bad CRC	150
16.3.1 Problem Description.....	150
16.3.2 Problem Solution	150
16.4 FLRC Modem: Increased PER in FLRC Packets with Synch Word	151
16.4.1 Problem Description.....	151
16.4.2 Problem Solution	151
17. Packaging Information.....	152
17.1 Package Outline Drawing	152
17.2 Package Marking	153
17.3 Land Pattern	153
17.4 Reflow Profiles	154
17.5 Thermal Impedance	154
17.6 Tape and Reel Specification	154
Glossary	155

List of Figures

Figure 2-1: Transceiver Pin Locations	18
Figure 4-1: Transceiver Block Diagram, Analog Front End Highlighted.....	28
Figure 5-1: Transceiver Block Diagram, Power Distribution Highlighted	32
Figure 5-2: Separate DIO Supply.....	33
Figure 6-1: Transceiver Block Diagram, Modems Highlighted	34
Figure 6-2: FSK Modulation Parameters.....	41
Figure 6-3: Sensitivity Performance of the Transceiver Modems	43
Figure 7-1: Transceiver Block Diagram, Packet Engine Highlighted.....	44
Figure 7-2: Fixed-length Packet Format.....	45
Figure 7-3: Variable-length Packet Format	45
Figure 7-4: BLE Packet Format.....	46
Figure 7-5: PDU Header Format	46
Figure 7-6: FLRC Fixed-length Packet Format.....	47
Figure 7-7: FLRC Variable-length Packet Format	48
Figure 7-8: LoRa® Variable-length Packet Format	49
Figure 7-9: LoRa® Fixed-length Packet Format.....	50
Figure 7-10: Ranging Packet Format.....	53
Figure 7-11: Ranging Master Packet Exchange	54
Figure 7-12: Ranging Slave Packet Exchange	54
Figure 7-13: Ranging Measurement.....	56
Figure 8-1: Data Buffer Diagram	57
Figure 9-1: Transceiver Block Diagram, Digital Interface Highlighted.....	59
Figure 9-2: SPI Timing Diagram.....	61
Figure 9-3: SPI Wake-UpTiming Transition	62
Figure 9-4: SPI NSS Pulse Timing Transition	63
Figure 9-5: Multiple Radios Sharing an SPI Bus With a Sensor.....	66
Figure 10-1: Transceiver Circuit Modes.....	69
Figure 10-2: Switching Time Definition in Active Mode	70
Figure 14-1: Ranging Application State Machine Diagram.....	140
Figure 14-2: Example Ranging RSSI Response (may vary depending upon SF BW used) ...	141
Figure 14-3:	143
Figure 14-4: Advanced Ranging Mode State Machine	143
Figure 15-1: Transceiver Application Design Schematic	145
Figure 15-2: Long Range Reference Design PCB Layout.....	146
Figure 15-3: Application Schematic with Optional TCXO.....	147
Figure 15-4: Application Schematic with Low Drop Out Regulator Schematic	147
Figure 17-1: QFN 4x4 Package Outline Drawing.....	152
Figure 17-2: SX1280 and SX1281 Package Marking	153
Figure 17-3: QFN 4x4mm Land Pattern.....	153
Figure 17-4: Tape and Reel Specification	154

List of Tables

Table 1-1: Product Portfolio and Modem Functionality.....	15
Table 2-1: Transceiver Pinout.....	17
Table 3-1: Minimum and Maximum Ratings	19
Table 3-2: Operating Range.....	19
Table 3-3: General Electrical Specifications	20
Table 3-4: Receiver Specifications.....	21
Table 3-5: LoRa® Modem Specifications	22
Table 3-6: FLRC Modem Specifications	24
Table 3-7: FSK Modem Specifications.....	25
Table 3-8: Transmitter Electrical Specifications.....	26
Table 3-9: Crystal Oscillator Specifications	26
Table 3-10: Digital Levels and Timings.....	27
Table 4-1: Procedure for Receiver Gain Manual Setting.....	29
Table 4-2: Receiver Gain Manual Setting	29
Table 5-1: Regulation Type versus Circuit Mode.....	32
Table 6-1: Receiver Sensitivity when using LoRa® in Low Power Mode	35
Table 6-2: Raw Data Rates when using LoRa®	36
Table 6-3: Total Permissible Reference Drift.....	37
Table 6-4: Valid FLRC Data Rate and Bandwidth Combinations	38
Table 6-5: Effective FLRC Data Rates Based upon FEC Usage with Resulting Sensitivities....	39
Table 6-6: Receiver Performance of the FLRC Modem	40
Table 6-7: Valid FSK Data Rate and Bandwidth Combinations with Resulting Sensitivities .	42
Table 9-1: SPI Timing Requirements.....	60
Table 10-1: SX1280 Operating Modes	67
Table 10-2: Switching Time (TswMode) for all Possible Transitions	70
Table 11-1: SPI interface Command Sequence	71
Table 11-2: UART Interface Command Sequence	71
Table 11-3: SetUartSpeed Data Transfer (UART only)	72
Table 11-4: Divider Ratios to Configure the UART Interface Speed	72
Table 11-5: Status Byte Definition.....	73
Table 11-6: GetStatus Data Transfer (SPI).....	73
Table 11-7: GetStatus Data Transfer (UART)	73
Table 11-8: WriteRegister Data Transfer (SPI).....	74
Table 11-9: WriteRegister Data Transfer (UART).....	74
Table 11-10: ReadRegister Data Transfer (SPI).....	75
Table 11-11: ReadRegister Data Transfer (UART).....	75
Table 11-12: WriteBuffer SPI Data Transfer	75
Table 11-13: WriteBuffer UART Data Transfer	76
Table 11-14: ReadBuffer SPI Data Transfer.....	76
Table 11-15: ReadBuffer UART Data Transfer	76
Table 11-16: SetSleep SPI Data Transfer.....	77
Table 11-17: Sleep Mode Definition	77
Table 11-18: SetStandby SPI Data Transfer.....	78
Table 11-19: SetStandby UART Data Transfer	78
Table 11-20: StandbyConfig Definition.....	78
Table 11-21: SetFs Data Transfer	79
Table 11-22: SetTx SPI Data Transfer	79
Table 11-23: SetTx UART Data Transfer	79
Table 11-24: SetTx Time-out Definition.	79
Table 11-25: SetTx Time-out Duration.....	80

Table 11-26: SetRx SPI Data Transfer.....	80
Table 11-27: SetRx UART Data Transfer.....	80
Table 11-28: SetRx Time-out Duration	81
Table 11-29: Duty Cycled Operation SPI Data Transfer	81
Table 11-30: Duty Cycled Operation UART Data Transfer	81
Table 11-31: Rx Duration Definition.....	82
Table 11-32: SetLongPreamble Data Transfer	83
Table 11-33: SetCAD Data Transfer.....	83
Table 11-34: SetTxContinuousWave Data Transfer.....	83
Table 11-35: SetTxContinuousPreamble Data Transfer	84
Table 11-36: SetAutoTx SPI Data Transfer	84
Table 11-37: SetAutoTx UART Data Transfer	84
Table 11-38: SetAutoFs SPI Data Transfer	85
Table 11-39: SetAutoFs UART Data Transfer.....	85
Table 11-40: SetPacketType SPI Data Transfer	86
Table 11-41: SetPacketType UART Data Transfer	86
Table 11-42: PacketType Definition.....	86
Table 11-43: GetPacketType SPI Data Transfer.....	86
Table 11-45: SetRfFrequency SPI Data Transfer	87
Table 11-46: SetRfFrequency UART Data Transfer	87
Table 11-47: SetTxParams SPI Data Transfer	87
Table 11-44: GetPacketType UART Data Transfer.....	87
Table 11-49: RampTime Definition	88
Table 11-50: CAD SPI Data Transfer.....	88
Table 11-51: CAD UART Data Transfer	88
Table 11-48: SetTxParams UART Data Transfer	88
Table 11-52: CadSymbolNum Definition.....	89
Table 11-53: SetBufferBaseAddress SPI Data Transfer	89
Table 11-54: SetBufferBaseAddress UART Data Transfer	89
Table 11-55: SetModulationParams SPI Data Transfer	89
Table 11-57: SetModulationParams Parameters Definition.....	90
Table 11-58: SetPacketParams SPI Data Transfer.....	90
Table 11-56: SetModulationParams UART Data Transfer	90
Table 11-60: SetPacketParams Parameters Definition.....	91
Table 11-59: SetPacketParams UART Data Transfer.....	91
Table 11-61: GetRxBufferStatus SPI Data Transfer	92
Table 11-62: GetRxBufferStatus UART Data Transfer	92
Table 11-63: GetPacketStatus SPI Data Transfer	93
Table 11-64: GetPacketStatus UART Data Transfer	93
Table 11-65: packetStatus Definition.....	93
Table 11-66: RSSI and SNR Packet Status.....	93
Table 11-67: Status Packet Status Byte.....	94
Table 11-68: Error Packet Status Byte	94
Table 11-69: Sync Packet Status Byte.....	94
Table 11-70: GetRssiInst SPI Data Transfer.....	95
Table 11-71: GetRssiInst UART Data Transfer	95
Table 11-72: RssiInst Definition	95
Table 11-73: IRQ Register.....	95
Table 11-74: IRQ Mask Definition SPI Data Transfer	96
Table 11-75: IRQ Mask Definition UART Data Transfer	96
Table 11-76: GetIrqStatus SPI Data Transfer.....	97
Table 11-77: GetIrqStatus UART Data Transfer	97
Table 11-78: ClearIrqStatus SPI Data Transfer.....	97
Table 11-79: ClearIrqStatus UART Data Transfer	97

Table 12-1: Transceiver Available Commands.....	99
Table 13-1: List of Registers	101
Table 14-1: Modulation Parameters in GFSK Mode	104
Table 14-2: Modulation Index Parameters in GFSK Mode.....	105
Table 14-3: Modulation Shaping Parameters in GFSK Mode.....	106
Table 14-4: Preamble Length Definition in GFSK Packet	106
Table 14-5: Sync Word Length Definition in GFSK Packet.....	107
Table 14-6: Sync Word Combination in GFSK Packet.....	107
Table 14-7: Packet Type Definition in GFSK Packet	107
Table 14-8: Payload Length Definition in GFSK Packet	108
Table 14-9: CRC Definition in GFSK Packet	108
Table 14-10: Whitening Enabling in GFSK Packet	108
Table 14-11: Sync Word Definition in GFSK Packet.....	108
Table 14-12: CRC Initialization Registers.....	109
Table 14-13: CRC Polynomial Definition	109
Table 14-14: PacketStatus[3] in GFSK Packet	110
Table 14-15: PacketStatus[2] in GFSK Packet	112
Table 14-16: PacketStatus[4] in GFSK Mode Packet.....	112
Table 14-17: Modulation Parameters in BLE and GFSK Mode.....	113
Table 14-18: Modulation Parameters in BLE and GFSK Mode.....	114
Table 14-19: Modulation Parameters in BLE and GFSK Mode.....	114
Table 14-20: Connection State Definition in BLE Packet.....	114
Table 14-21: CRC Definition in BLE Packet	114
Table 14-22: Tx Test Packet Payload in Test Mode for BLE Packet	115
Table 14-23: Whitening Enabling in BLE Packet.....	115
Table 14-24: Access Address Definition in BLE Packet.....	116
Table 14-25: CRC Initialization Registers.....	116
Table 14-26: BLE Access Address Configuration for Tx.....	116
Table 14-27: PacketStatus3 in BLE Packet	117
Table 14-28: PacketStatus2 in BLE Mode.....	118
Table 14-29: PacketStatus4 in BLE Mode.....	119
Table 14-30: SetAutoTx Mode	119
Table 14-31: Modulation Parameters in FLRC Mode: Bandwidth and Bit Rate	121
Table 14-32: Modulation Parameters in FLRC Mode: Coding Rate	122
Table 14-33: Modulation Parameters in FLRC Mode: BT	122
Table 14-34: AGC Preamble Length Definition in FLRC Packet	122
Table 14-35: Sync Word Length Definition in FLRC Packet.....	123
Table 14-36: Sync Word Combination in FLRC Packet.....	123
Table 14-37: Packet Type Definition in FLRC Packet	124
Table 14-38: Payload Length Definition in FLRC Packet	124
Table 14-39: CRC Definition in FLRC Packet	124
Table 14-40: CRC Initialization Registers.....	125
Table 14-41: Whitening Definition in FLRC Packet.....	125
Table 14-42: Sync Word Definition in FLRC Packet.....	125
Table 14-43: PacketStatus3 in FLRC Packet	127
Table 14-44: PacketStatus2 in FLRC Packet	128
Table 14-45: PacketStatus3 in FLRC Packet	128
Table 14-46: PacketStatus4 in FLRC Packet	129
Table 14-47: Modulation Parameters in LoRa® Mode	130
Table 14-48: Modulation Parameters in LoRa® Mode	131
Table 14-49: Modulation Parameters in LoRa® Mode	131
Table 14-50: Preamble Definition in LoRa® or Ranging.....	132
Table 14-51: Packet Type Definition in LoRa® or Ranging Packet	132
Table 14-52: Payload Length Definition in LoRa® Packet	132

Table 14-53: CRC Enabling in LoRa® Packet	132
Table 14-54: IQ Swapping in LoRa® or Ranging Packet	133
Table 14-55: LoRa FEI Measurement Resolution [Hz]	135
Table 14-56: Ranging Device Modulation Parameters	136
Table 14-57: Slave Ranging Request Address Definition	137
Table 14-58: Register Address Bit Definition	137
Table 14-59: Master Ranging Request Address Definition	137
Table 14-60: Calibration Value in Register	138
Table 14-61: Ranging Role Value	138
Table 14-62: Register Result Address	139
Table 14-63: Ranging Result Type Selection	139
Table 14-64: Power Regulation Selection SPI Data Transfer	143
Table 14-65: Power Regulation Selection UART Data Transfer	143
Table 14-66: RegModeParam Definition	143
Table 14-67: SetSaveContext Data Transfer	144
Table 15-1: Reference Design BOM	146
Table 15-2: Host Settings for Minimizing Sleep Mode Consumption	148
Table 17-1: Tape and Reel Specification	154

1. Introduction

The SX1280 and SX1281 are half-duplex transceivers capable of low power operation in the worldwide 2.4 GHz ISM band. The radio comprises 5 main parts, which are described in the following chapters.

1.1 Analog Front End

The radio features a high efficiency +12.5 dBm transmitter and a high linearity receive chain that are both accessed via a common antenna port pin. Frequency conversion between RF and baseband (low-IF) is governed by a digital PLL that is referenced to a 52 MHz crystal. Both transmit and receive chains are interfaced by data converters to the ensuing digital blocks. For more information see the [Section 4. "Analog Front End" on page 28](#).

1.2 Power Distribution

Two forms of voltage regulation are available, either a integrated Low-DropOut (LDO) or a high efficiency buck (step down) DC to DC converter. This allows the designer to choose between high energy efficiency or miniaturisation of the radio depending upon the design priorities of the application. For more information, please see the [Section 5. "Power Distribution" on page 32](#).

1.3 Modem

There are a range of modulation options available in the LoRa® family's three modems, each of which has packet options that include many MAC layer functionalities. For a description of each modulation format and the performance benefits associated with that modulation, please see the corresponding section below:

- LoRa® Modem and Packet: [Section 6.2 "LoRa® Modem" on page 35](#)
- FLRC Modem and Packet: [Section 6.3 "FLRC Modem" on page 38](#)
- FSK Modem and Packet: [Section 6.4 "FSK Modem" on page 41](#)

The long range 2.4 GHz product line also features the Ranging Engine, a long distance ranging functionality that permits round-trip time-of-flight measurement between a pair of LoRa® radios. The availability of each modem and the Ranging Engine, for each part number in the long range 2.4 GHz product line is shown below.

Table 1-1: Product Portfolio and Modem Functionality

Product Reference	SX1280	SX1281
LoRa®	✓	✓
FLRC	✓	✓
GFSK	✓	✓
Ranging Engine	✓	
Advanced Ranging	✓	

1.4 Packet Processing

The radio can operate in a fully automatic mode where the processing of packets for transmission or reception can be performed without the intervention of an external host micro-controller. For more details see [Section 7. "Packet Engine" on page 44](#).

In both transmit and receive modes the payload interface to the transceiver is the packet data buffer described in [Section 8. "Data Buffer" on page 57](#) of this datasheet.

1.5 Digital Interface and Control

The specification and processing for all digital communication with the transceiver is described in [Section 9. "Digital Interface and Control" on page 59](#). This includes descriptions of the [SPI](#) and [UART](#) interfaces, that can be used to configure the transceiver together with the Digital Input / Output (DIO) that are used to send interrupts to an external host micro-controller.

- For the SPI interface see [Section 9.3 "SPI Interface" on page 60](#)
- For the UART interface see [Section 9.4 "UART Interface" on page 64](#)
- For the DIO see [Section 9.6 "Multi-Purpose Digital Input/Output \(DIO\)" on page 64](#)

2. Pin Connections

2.1 Transceiver Pinout

Table 2-1: Transceiver Pinout

Pin Number	Pin Name	Type (I = input O = Output)	SPI description	UART description
0	GND	-		Exposed Ground pad
1	VR_PA	-		Regulated supply for the PA
2	VDD_IN	I		Regulated supply input. Connect to Pin 12.
3	NRESET	I		Reset signal, active low with internal pull-up at 50 kΩ
4	XTA	-		Reference oscillator connection or TCXO input
5	GND	-		Ground
6	XTB	-		Reference oscillator connection
7	BUSY	O		Transceiver busy indicator
8	DIO1	I/O		Optional multi-purpose digital I/O
9	DIO2	I/O		Optional multi-purpose digital I/O
10	DIO3	I/O		Optional multi-purpose digital I/O
11	VBAT_IO	I		Supply for the Digital IO interface (1.8 V to 3.7 V). Must be ≤ VBAT.
12	DCC_FB	O		Regulated output voltage from the internal regulator
13	GND	-		Ground
14	DCC_SW	O		DC-DC Switcher Output
15	VBAT	I		Supply for the RFIC (1.8 V to 3.7 V). Must be ≥ VBAT_IO.
16	MISO_TX	O	SPI slave output	UART Transmit pin
17	MOSI_RX	I	SPI slave input	UART Receive pin
18	SCK_RTSN	I	SPI clock	UART Request To Send
19	NSS_CTS	I	SPI Slave Select	UART Clear To Send
20	GND	-		Ground
21	GND	-		Ground
22	RFIO	I/O		RF transmit output and receive input
23	GND	-		Ground
24	GND	-		Ground

3. Specifications

The following specifications are given for the typical operating conditions of VBAT_IO = VBAT = 3.3 V, temperature = 25 °C, crystal oscillator frequency = 52 MHz, RF centre frequency = 2.4 GHz. All RF impedances are matched using the reference design, see Section 15.1 "Reference Design" on page 145. Blocking, ACR and co-channel rejection are given for a single tone interferer and referenced to sensitivity level +6 dB. The current supply is given as the sum of current on VBAT and VBAT_IO. The buck converter (DC-DC) is considered switched ON unless otherwise stated.

3.1 ESD Notice

The SX1280/SX1281 transceivers are high-performance radio frequency devices.

They all satisfy:

- Class 2 of the JEDEC standard JESD22-A114 (Human Body Model) on all pins
- Class III of the JEDEC standard JESD22-C101 (Charged Device Model) on all pins



3.2 Absolute Minimum and Maximum Ratings

Table 3-1: Minimum and Maximum Ratings

Symbol	Description	Minimum	Typical	Maximum	Unit
VBATmr	Supply voltage on VBAT and VBAT_IO	-0.5	-	3.9	V
Tmr	Temperature	-55	-	115	°C
Pmr	RF Input level	-	-	10	dBm

3.3 Operating Range

Table 3-2: Operating Range

Symbol	Description	Minimum	Typical	Maximum	Unit
VBATop	Supply voltage VBAT and VBAT_IO	1.8	-	3.7	V
Top	Temperature under bias	-40	-	85	°C
Clop	Load capacitance on digital ports	-	-	10	pF
ML	RF Input power	-	-	0	dBm

3.4 General Electrical Specifications

Table 3-3: General Electrical Specifications

Symbol	Description	Minimum	Typical	Maximum	Unit
IDDSL	Supply current in Sleep mode with - data RAM not retained - data buffer retained	-	0.215	1.0	μA
	Supply current in Sleep mode with - data RAM retained (context saved) - data buffer flushed	-	0.25	1.0	μA
	Supply current in Sleep mode with - data RAM retained - data buffer retained	-	0.4	1.0	μA
	Supply current in Sleep mode with - data RAM retained - data buffer retained - RC64k is running	-	1.2	1.8	μA
IDDSTDBYRC	Supply current in STDBY_RC mode	-	700	-	μA
IDDSTDBYXOSC	Supply current in STDBY_XOSC mode	-	1	-	mA
IDDFS	Supply current in FS mode	-	2.8	-	mA
FR	Synthesizer frequency range	2400	-	2500	MHz
FSTEP	Synthesizer frequency step (52 MHz reference)	-	198	-	Hz
PHN	Phase noise at 2.45 GHz				
	1 MHz offset	-	-115	-	dBc/Hz
	10 MHz offset	-	-135	-	dBc/Hz
FXOSC	Crystal oscillator frequency	-	52	-	MHz
TS_FS	Frequency synthesizer wake-up time with XOSC enabled	-	54	-	μs
TS_HOP	Frequency synthesizer hop time to within 10 kHz of target frequency				
	1 MHz	-	20	-	μs
	10 MHz	-	30	-	μs
	100 MHz	-	50	-	μs
TS_OS	Crystal oscillator wake-up time from STDBY_RC mode	-	40	-	μs

For the digital specifications, see [Table 10-2: "Switching Time \(TswMode\) for all Possible Transitions"](#) on page 70.

3.5 Receiver Electrical Specifications

All receiver sensitivity numbers are given for a Packet Error Rate (PER) of 1%, for packet with 10 bytes of payload.

Values are given for maximum AGC gain which is the highest low power gain.

A continuous wave (CW) interferer is used for all blocking and rejection measurements unless otherwise stated.

3.5.1 Receiver Specifications

Table 3-4: Receiver Specifications

Symbol	Description	Minimum	Typical	Maximum	Unit
	3rd Order input intercept for maximum low power gain setting				
IIP3	In-band interferer <6 MHz	-	-25	-	dBm
	In-band interferer at 6 MHz offset	-	-12	-	dBm
	In-band interferer at 10 MHz offset	-	0	-	dBm
	In-band interferer at 20 MHz offset	-	0	-	dBm
IMR	Image rejection (CW tone 1% PER)	-	30	-	dB

3.5.2 LoRa® Modem

Table 3-5: LoRa® Modem Specifications

Symbol	Description	Minimum	Typical	Maximum	Unit
IDDRXLP_L	Supply current for low power mode				
	for BW = 203 kHz	-	5.5	-	mA
	for BW = 406 kHz	-	6.0	-	mA
	for BW = 812 kHz	-	7.0	-	mA
IDDRXHS_L	Supply current for high sensitivity mode				
	for BW = 203 kHz	-	6.2	-	mA
	for BW = 406 kHz	-	6.7	-	mA
	for BW = 812 kHz	-	7.7	-	mA
RB_L	LoRa® bitrate programmable range with CR = 4/5				
	SF5, BW = 1625 kHz	-	202	-	kb/s
	SF6, BW = 1625 kHz	-	122	-	kb/s
	SF7, BW = 1625 kHz	-	71	-	kb/s
BW_L	LoRa® bandwidth programmable range	203	-	1625	kHz
	SF12, BW = 203 kHz	-	0.476	-	kb/s
	LoRa® receiver sensitivity with CR = 4/5 and low power mode enabled ¹				
	SF7, BW = 1625 kHz,	-	-106	-	dBm
RFSHP_L	SF12, BW = 203 kHz	-	-130	-	dBm
	LoRa® receiver sensitivity with CR = 4/5 and high sensitivity mode enabled ¹				
	SF7, BW = 1625 kHz,	-	-108	-	dBm
	SF12, BW = 203 kHz	-	-132	-	dBm
CCR_L	Co-channel rejection LoRa®				
	SF7	-	7.5	-	dB
BI_L	SF12	-	19.5	-	dB
	Blocking immunity SF12				
	+/- 1 MHz	-	60	-	dB
BI_L	+/- 2 MHz	-	63	-	dB
	+/- 10 MHz	-	81	-	dB

Table 3-5: LoRa® Modem Specifications

Symbol	Description	Minimum	Typical	Maximum	Unit
ACR_L	Adjacent channel rejection at 1.5 BW of CW				
	SF = 12, BW = 203 kHz	-	37	-	dB
	SF = 7, BW = 1.6 MHz	-	37	-	dB
FERR_L	Maximum tolerated frequency offset between transmitter and receiver, no sensitivity degradation, SF12	-50	-	50	ppm
	Maximum tolerated frequency offset between transmitter and receiver, no sensitivity degradation, SF5 to SF10	-80	-	+80	ppm

1. See Section 4.2.1 "Low Power Mode and High Sensitivity Mode" on page 30.

3.5.3 FLRC Modem

Table 3-6: FLRC Modem Specifications

Symbol	Description	Minimum	Typical	Maximum	Unit
IDDRX_FL	Supply currents (detection mode)				
	BW = 300 kHz, BR = 260 kb/s	-	6.5	-	mA
	BW = 1200 kHz, BR = 1300 kb/s	-	8.6	-	mA
RB_FL	FLRC Modem programmable bitrate	260	-	1300	kb/s
BW_FL	Programmable channel bandwidth range	300	-	1200	kHz
RFS_FL	FLRC Receiver Sensitivity				
	260 kSymb/s, 130 kb/s BW = 300 kHz CR=1/2	-	-106	-	dBm
	1.3 MSymb/s, 650 Mb/s, BW = 1.2 MHz, CR=1/2	-	-100.5	-	dBm
CCR_FL	Co-channel rejection FLRC	-	-10	-	dB
BI_FL	Blocker level for Max low power gain setting				
	+/- 1 MHz	-	41	-	dB
	+/- 2 MHz	-	44	-	dB
	+/- 10 MHz	-	62	-	dB
	+/- 20 MHz	-	69	-	dB
ACR_FL	Adjacent channel rejection at 1.5 BW for CW				
	260 kb/s, BW = 300 kHz	-	44	-	dB
	1.3 Mb/s, BW = 2.4 MHz	-	49	-	dB

Notice: all data rates listed in the table above are in raw bits. All values are given with BT = 0.5.

3.5.4 FSK Modem

Table 3-7: FSK Modem Specifications

Symbol	Description	Minimum	Typical	Maximum	Unit
Supply currents for low power mode, demodulation running ¹					
IDDRX_FSK_250_LP	BW = 300 kHz, BR = 250 kb/s	-	4.8	-	mA
IDDRX_FSK_1000_LP	BW = 1200 kHz, BR = 1000 kb/s	-	5.3	-	mA
IDDRX_FSK_2000_LP	BW = 2400 kHz, BR = 2000 kb/s	-	5.7	-	mA
Supply currents for high sensitivity mode, demodulation running ¹					
IDDRX_FSK_250_HS	BW = 300 kHz, BR = 250 kb/s	-	5.5	-	mA
IDDRX_FSK_1000_HS	BW = 1200 kHz, BR = 1000 kb/s	-	6.0	-	mA
IDDRX_FSK_2000_HS	BW = 2400 kHz, BR = 2000 kb/s	-	6.4	-	mA
BR_FSK	FSK Modem programmable bitrate	125	-	2000	kb/s
BW_FSK	Programmable channel bandwidth range DSB	300	-	2400	kHz
FSK Receiver Sensitivity BER 0.1%					
RFS_FSK1 low power mode	250 kb/s, $\beta = 0.5$, BW = 300 kHz	-	-96	-	dBm
	1 Mb/s, $\beta = 0.5$, BW = 1200 kHz	-	-92	-	dBm
FSK Receiver Sensitivity BER 0.1%					
RFS_FSK1_HS high sensitivity mode	250 kb/s, $\beta = 0.5$, BW = 300 kHz	-	-98	-	dBm
	1 Mb/s, $\beta = 0.5$, BW = 1200 kHz	-	-94	-	dBm
FSK Receiver Sensitivity PER 1%					
RFS_FSK2 low power mode	250 kb/s, $\beta = 0.5$, BW = 300 kHz	-	-93	-	dBm
	1 Mb/s, $\beta = 0.5$, BW = 1200 kHz	-	-88	-	dBm
FSK Receiver Sensitivity PER 1%					
RFS_FSK2_HS high sensitivity mode	250 kb/s, $\beta = 0.5$, BW = 300 kHz	-	-94	-	dBm
	1 Mb/s, $\beta = 0.5$, BW = 1200 kHz	-	-90	-	dBm
CCR_FSK	Co-Channel Rejection	-	-10	-	dB
Blocker level for max low power gain setting, BR = 250 kb/s, BW = 300 kHz					
BI_FSK	+/- 1 MHz	-	41	-	dB
	+/- 2 MHz	-	44	-	dB
	+/- 10 MHz	-	62	-	dB
	+/- 20 MHz	-	69	-	dB

Table 3-7: FSK Modem Specifications

Symbol	Description	Minimum	Typical	Maximum	Unit
ACR_FSK	Adjacent channel rejection at 1.5 BW for CW				
	BW = 300 kHz	-	34	-	dB
	BW = 1200 kHz	-	34	-	dB

1. See Section 4.2.1 "Low Power Mode and High Sensitivity Mode" on page 30.

Notice: all values listed in the table above are given with the modulation index $\beta = 0.5$.

3.6 Transmitter Electrical Specifications

Table 3-8: Transmitter Electrical Specifications

Symbol	Description	Minimum	Typical	Maximum	Unit
IDD_T13	12.5 dBm	-	24	-	mA
IDD_T10	10 dBm	-	18	-	mA
IDD_T0	0 dBm	-	10	-	mA
RFOPMIN	Minimum RF output power	-	-18	-	dBm
RFOPMAX	Maximum RF output power	-	12.5	-	dBm
FDA	Programmable FSK frequency deviation	62.5	-	1000	kHz

3.7 Crystal Oscillator Specifications

Table 3-9: Crystal Oscillator Specifications

Symbol	Description	Minimum	Typical	Maximum	Unit
FXOSC	Crystal oscillator frequency	-	52	-	MHz
CLOAD	Crystal loading capacitance	-	10	-	pF
COXTAL	Crystal shunt capacitance	-	2	5	pF
RSXTAL	Crystal series resistance	-	10	50 ¹	Ω
CMXTAL	Crystal motional capacitance	3	3.5 ²	4	fF

1. An RSXTAL of up to 90 Ω may be used if COXTAL is restricted to < 3 pF.

2. Other CMXTAL values may be used, noting that smaller values reduce start up time whilst larger values will degrade frequency accuracy and phase noise.

3.8 Digital Pin Levels

Table 3-10: Digital Levels and Timings

Symbol	Description	Minimum	Typical	Maximum	Unit	Conditions
V_{IH}	Digital input level high	0.8	-	-	VBAT_IO	-
V_{IL}	Digital input level low	-	-	0.2	VBAT_IO	-
V_{OH}	Digital output level high	0.9	-	-	VBAT_IO	$I_{max} = 2.5 \text{ mA}$
	Digital output level high VBAT_IO = 1.7 V	0.85	-	-	VBAT_IO	$I_{max} = 2.5 \text{ mA}$
V_{OL}	Digital output level low	-	-	0.1	VBAT_IO	$I_{max} = -2.5 \text{ mA}$
	Digital output level low VBAT_IO = 1.7 V	-	-	0.12	VBAT_IO	$I_{max} = -2.5 \text{ mA}$
I_{Leak}	Digital input leakage current (NSS, MOSI, SCK)	-1	-	1	μA	-

4. Analog Front End

The analog front end features a single antenna port connection to an integrated matching circuit that permits half-duplex operation of the radio without external RF switching.

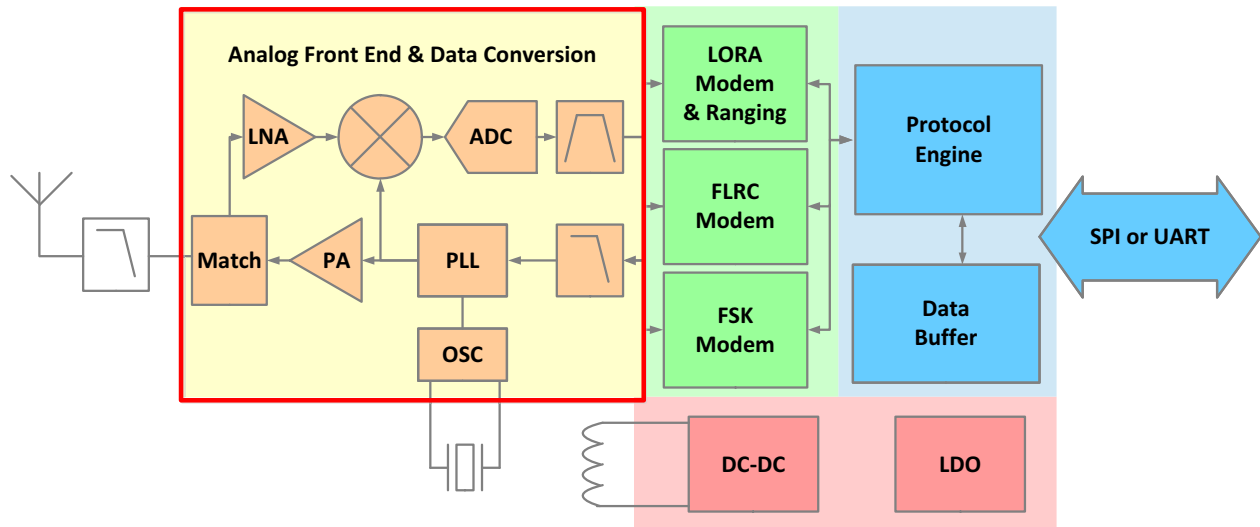


Figure 4-1: Transceiver Block Diagram, Analog Front End Highlighted

4.1 Transmitter

The transmit chain comprises the modulated output from the modem bank which directly modulates the fractional-N PLL. An optional pre-filtering of the bit stream can be enabled to reduce the power in the adjacent channels, also dependent upon the selected modulation type.

The transmitter is enabled by using the `SetTx(periodBase, periodBaseCount)` command. Upon issuing this command, the transmitter sends the packet stored in the data buffer. The transmitter then returns to STDBY_RC mode, either upon completion of the packet transmission, or after a time-out period predefined by the time base of the interrupt timer, `periodBase`, and the preset number of clock ticks `periodBaseCount` as in Section 12. "List of Commands" on page 99.

The RF output power of the transmitter is controllable in 1 dB increments in the range -18 dBm to +12 dBm, the final power step is then a 0.5 dB increment to the maximum transmitter output power of 12.5 dBm. The RF output power (P_{RF}) and the ramp time are determined by the command `SetTxParam(power, rampTime)`. The output power is set using the formula:

$$P_{RF} = -18 + power$$

Where the maximum output power P_{RF} is 12.5 dBm.

This corresponds to the RF output power at the antenna feed-point of the reference design (see Section 15.1.1 "Application Design Schematic" on page 145). As switching of an RF power amplifier can cause undesirable spurious spectral emissions, a precision DAC is used as a reference for the transceiver PA supply voltage allowing smooth transition to transmit mode. The time over which the PA is ramped, prior to packet transmission, `rampTime` can be varied from 2 to 20 μ s accordingly. In some applications, and for regulatory testing purposes it can be useful to generate a continuous wave (CW) tone in transmit mode or enable a continuously modulated output. These two functionalities are accessible through the `SetTxContinuousWave()` and `SetTxContinuousPreamble()` functions. The latter provides a stream of alternating logical '1' and '0' modulated data using the configured modulation settings.

4.2 Receiver

LoRa®, FLRC or FSK systems operate as either a half-duplex low-IF/zero-IF transceiver. The received RF signal is first amplified by the LNA via the on-chip impedance matching network. The single-ended to differential conversion is performed afterwards to improve the second order linearity of the receiver. The signal is then down-converted to baseband or an intermediate frequency by quadrature mixers to obtain the I and Q signals. These signals are then low-pass filtered and digitized.

The receive chain employs an Automatic Gain Control (AGC) that is enabled by default and is used to ensure that the optimal front end gain is selected for reception of a given detected signal power. This can be disabled and the gain of the RF front end is then set manually. To do this the following registers must be configured:

Table 4-1: Procedure for Receiver Gain Manual Setting

Register	Bit	Value	Comments
0x89F	bit 7	1	Enable Manual Gain Control
		0	Automatic Gain Control
0x895	bit 0	1	Automatic Gain Control
		0	Enable Manual Gain Control
0x89E	bit 0:3	1 to 13	Manual Gain Setting (see following table)

The gain can then be set according to the settings indicated in the table below:

Table 4-2: Receiver Gain Manual Setting

Setting	Gain [dB]
13	Max
12	Max -2
11	Max -4
10	Max -6
9	Max -8
8	Max -12
7	Max -18
6	Max -24
5	Max -30
4	Max -36
3	Max -42
2	Max -48
1	Max -54

The procedure for reading from and writing to a control register is described in [Section 12. "List of Commands" on page 99](#).

The transition to receive mode is made by issuing the *SetRx(periodBase, periodBaseCount)* command with the *periodBase* oscillator timebase and *periodBaseCount* number of clock ticks specifying the time-out upon which receive mode (see [Section 10.5 "Receive \(Rx\) Mode" on page 68](#)) will return to STDBY_RC mode. The process of periodic reception can be fully automated in the transceiver. The operation specific to each modulation format are described in [Section 14.1.3 "Rx Setting and Operations" on page 111](#). When a packet is received the transceiver reports a signal strength using the Received Signal Strength Indicator (RSSI). This information is returned with a *GetPacketStatus()* request as in [Section 12. "List of Commands" on page 99](#).

4.2.1 Low Power Mode and High Sensitivity Mode

In receive mode, the SX1280 can operate in one of two distinct regimes of operation. Low power mode allows maximum efficiency of the SX1280 to be attained, optimizing the performance of the device for receiver current consumption. This is enabled by default and prevents the receiver LNA from accessing the highest three steps of LNA gain.

Conversely, high sensitivity mode enables highest sensitivity gain steps for a slight increase in receiver current consumption. High sensitivity mode is enabled by setting bits 7:6 at address *0x891* to *0x3*. Once enabled the noise figure of the receiver is improved by up to 3 dB for 700 µA of additional current consumption.

4.2.2 Image Frequency

The intermediate frequency of the SX1280 in receive mode is 1.625 MHz. This means that the image frequency can be found at twice the IF below the programmed RF centre frequency, i.e. $FRF - 3.25$ MHz, for data rates of 2 Mbps and 1.6 Mbps only, the IF is 1.48MHz..

4.2.3 Wi-Fi and Bluetooth Immunity

Because the 2.4 GHz band is shared with other services, two application notes explaining the immunity of LoRa to Bluetooth and Wi-Fi can be found on the Semtech website: "Bluetooth Immunity of LoRa" and "Wi-Fi Immunity of LoRa® at 2.4 GHz" available on www.semtech.com.

4.3 PLL

A fractional-N third order sigma-delta PLL acts as the frequency synthesizer for the LO (Local Oscillator) for both receiver and transmitter chains. The PLL is capable of fast auto-calibration with a low switching time. Modulation is performed automatically either within or outside the PLL bandwidth depending upon the selected modulation type.

The PLL frequency is derived from the crystal oscillator circuit which uses an external 52 MHz crystal reference. The PLL and reference frequency determine the RF centre frequency of the radio. With the default crystal reference frequency, F_{Xosc} , and FRF values this is set to 2.4 GHz. All other reference oscillator and PLL settings are automatically optimized for the selected modem settings. To set the RF centre frequency of transceiver the *SetRFFrequency()* command is used. The frequency is passed as a 24-bit operand, *rfFrequency*, as shown below:

$$F_{RF} = \frac{F_{Xosc}}{2^{18}} * rfFrequency$$

The PLL can be enabled individually by using the *SetFS()* command, which tunes the PLL to the correct operating frequency. This is an intermediate mode that is automatically enabled on the transition from sleep or standby to transmit or receive modes.

4.4 RC Oscillators

Two RC oscillators are available: 64 kHz and 13 MHz RC oscillators. The 64 kHz RC oscillator is optionally used by the transceiver in Sleep mode to wake the transceiver to perform periodic or duty cycled operations. The 13 MHz RC oscillator is enabled for all SPI or UART communication to permit configuration of the device without starting the crystal oscillator.

The presence of the two oscillators allows ultra low consumption in Sleep mode with only the 64 kHz oscillator running, whereas once communication is initiated, the faster higher consumption 13 MHz oscillator is started to allow efficient high-speed communication with an external host processor. Optionally the crystal oscillator can be used instead of the RC oscillator in all modes other than sleep mode, as described in [Section 10. "Operational Modes" on page 67](#).

It is highly recommended to calibrate the internal RC oscillator of the SX1280 to higher accuracy by using the external crystal oscillator. Before calibration the accuracy of the internal RC timer is of the order of +/-25%. However with calibration the accuracy can be increased to +/-1%.

The improved precision can be used in conjunction with the WakeUpRTC command to have an accurate low power duty cycled receive mode, without the need for intervention from the host microcontroller.

Calibration is normally performed at start-up, but should also be performed after large temperature changes in the application environment. To perform the calibration the *Calibrate(calibParam)* function, opcode 0x89, must be used with the calibration parameters configured as follows:

```
calibParam.ADCBulkPEnable = 1;
```

```
calibParam.ADCBulkNEnable = 1;
```

```
calibParam.ADCPulseEnable = 1;
```

```
calibParam.PLLEnable = 1;
```

```
calibParam.RC13MEnable = 1;
```

```
calibParam.RC64KEnable = 1;
```

Then we call the calibration function:

```
Radio.Calibrate( calibParam );
```

This can then be used in conjunction with the duty cycle receive mode *SetRxDutyCycle()*. Note that the *sleepConfig.WakeUpRTC* must be set when configuring sleep mode using *SetSleep(sleepConfig)* for the radio to wake on the RTC.

5. Power Distribution

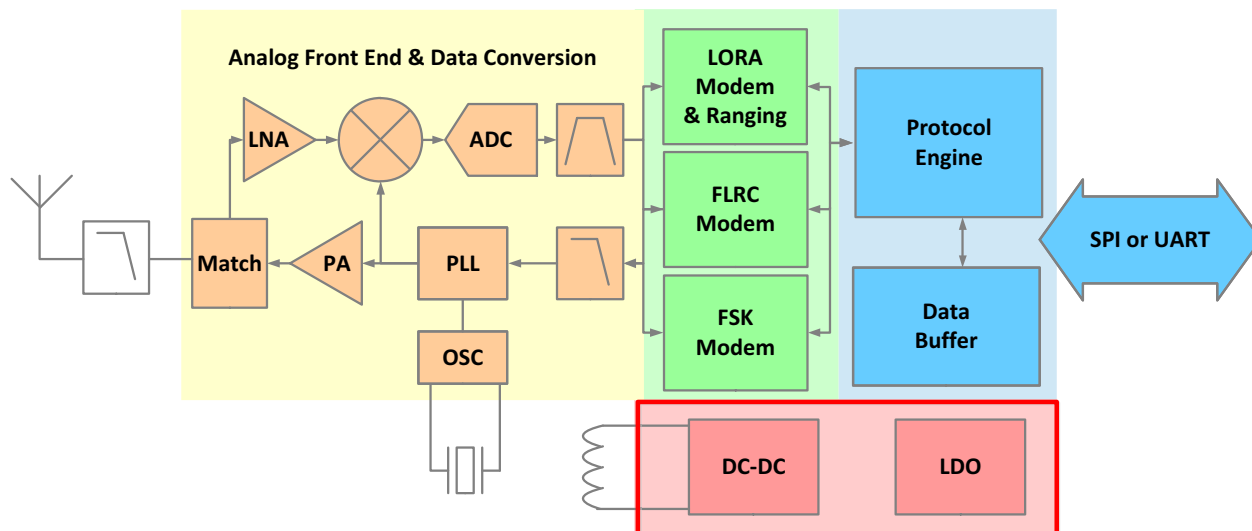


Figure 5-1: Transceiver Block Diagram, Power Distribution Highlighted

5.1 Selecting DC-DC Converter or LDO Regulation

Two forms of voltage regulation (**DC-DC** buck converter or linear regulator) are available depending upon the design priorities of the application. By default the linear **LDO** regulator is enabled in all modes. Alternatively a high efficiency DC to DC buck converter (DC-DC) can be enabled in FS, Rx and Tx modes.

All specifications of the transceiver are given with the DC-DC regulator enabled. For applications where cost and size are constrained, **LDO-only** operation is possible which negates the need for the 15 μ H inductor between pins 12 and 14, conferring the following benefits:

- ♦ Reduced Bill Of Materials
- ♦ Reduced board space

Conversely, the energy consumption of the radio will be increased. The following table illustrates the power regulation options for different modes and user settings.

Table 5-1: Regulation Type versus Circuit Mode

Circuit Mode	Sleep	STDBY_RC	STDBY_XOSC	FS	Rx	Tx
Regulator Type = 0	-	LDO	LDO	LDO	LDO	LDO
Regulator Type = 1	-	LDO	DC-DC	DC-DC	DC-DC	DC-DC

The user can specify the use of DC-DC by using the command *SetRegulatorType(regulatorType)*. This operation must be carried out in STDBY_RC mode only.

5.2 Flexible DIO Supply

The transceiver has two separate supplies: one for the radio connected to the VBAT pin and another for the digital interfaces (SPI, UART, DIOs and BUSY signals) connected to the VBAT_IO pin. If a single supply voltage is used then both supply pins can be connected together. However, if a host microcontroller unit (MCU) is used that requires a low voltage interface the VBAT_IO can also be powered at the MCU voltage to perform the level shifting.

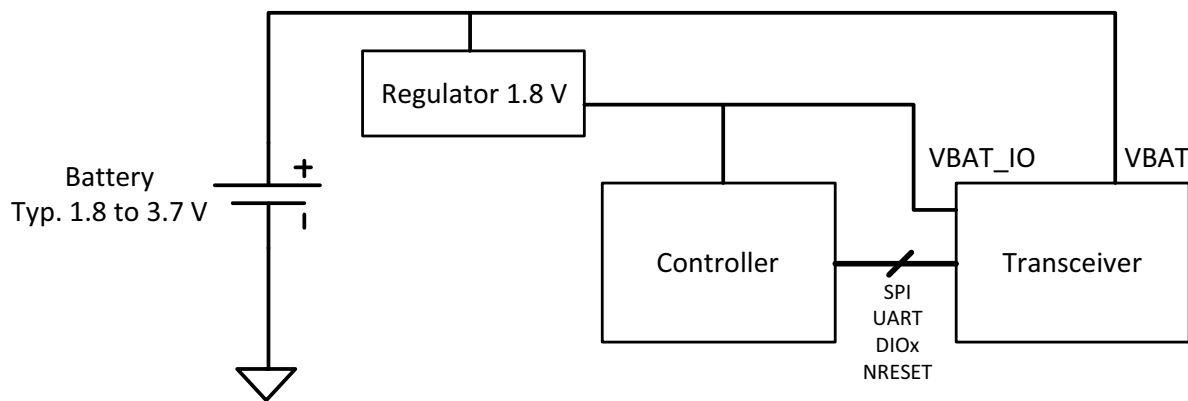
The example shown below illustrates this principle for a 1.8 V MCU powered from a lithium battery. The following connection is used:

- Supply VBAT at a higher supply voltage (for example 3.3 V) and
- directly connect VBAT_IO to the low voltage supply (for example 1.8 V) used by the MCU.

In the configuration illustrated below all digital interfaces operate at the same low interface-voltage as the MCU.

The only caveats to this usage are:

- VBAT_IO must be lower than or equal to VBAT.
- VBAT_IO can descend as low as 1.8 V -5 % allowing the use of off-the-shelf voltage regulators.



Requirement: $V_{BAT} \geq V_{BAT_IO}$

Figure 5-2: Separate DIO Supply

6. Digital Baseband

6.1 Overview

The transceiver features three modems that are all implemented in the digital baseband portion of the circuit. Associated with each physical layer modulation available, there is also a range of corresponding packet formats.

In receive mode, all modems use a digital Automatic Frequency Correction (AFC). This process is fully automated and transparent to the user. The frequency tolerance of each modem is detailed in its corresponding Section. The interfaces controlling the modem configuration and the memory in which the packets are stored are also common to all modems providing a simple unified interface to both the modulated and demodulated data.

The available modems and the corresponding packet types for each modem are shown in the highlighted block below:

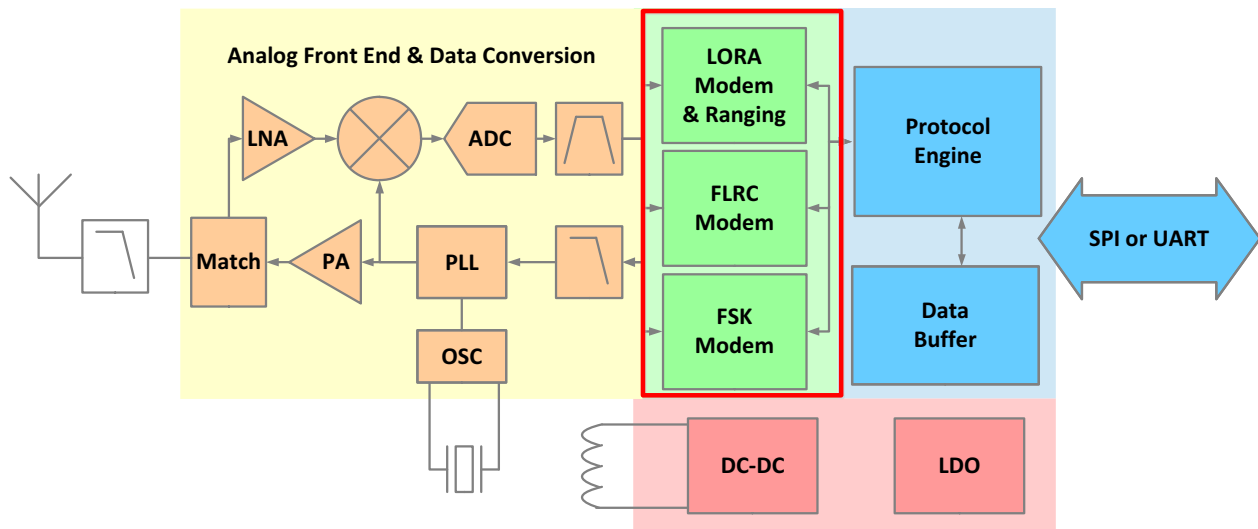


Figure 6-1: Transceiver Block Diagram, Modems Highlighted

Note:

Care must therefore be taken to ensure that modulation parameters are set using the command `SetModulationParam()` only after defining the packet type `SetPacketType()` to be used.

6.2 LoRa® Modem

The LoRa® modem provides both long range communication based upon LoRa® spread spectrum modulation and incorporates a ranging engine which provides the facility to measure the round-trip time-of-flight, thus offering the possibility to calculate the distance between a pair of transceivers.

6.2.1 LoRa® Modulation

The LoRa® modem uses spread spectrum modulation and Forward Error Correction (FEC) techniques to increase the range and robustness of radio communication links compared to traditional FSK or OOK based modulations.

An important aspect of the LoRa® modem is its superior immunity to interference. It is capable of co-channel rejection up to 19.5 dB. This immunity to interference allows the coexistence of LoRa® modulated systems either in bands of heavy spectral usage or in hybrid communication networks that use LoRa® to extend range and robustness when legacy modulation schemes fail.

Full details on usage of the LoRa modem can be found [Section 14.4 "LoRa® Operation" on page 130](#).

6.2.2 Spreading Factor

The LoRa® modem uses a chirp spread spectrum based modulation. As for any spread spectrum device, the LoRa® modulation represents each symbol of payload information by multiple chips of information. The Spreading Factor (SF) determines the ratio between the symbol rate (R_s) and chip rate (R_c):

$$R_c = 2^{SF} * R_s$$

Note:

The Spreading Factor (SF) and Bandwidth (BW) must be known in advance on both transmit and receive sides of the link as different spreading factors are orthogonal to each other.

The following table shows the receiver sensitivities when using the LoRa® modem. The receiver sensitivities are given with:

- Packer Error Rate (PER) of 1%,
- Packet with 10 bytes of payload
- 25°C, 3.3 V, CR = 4/5

Table 6-1: Receiver Sensitivity when using LoRa® in Low Power Mode

Bandwidth [kHz]	Receiver Sensitivity [dBm]							
	SF5	SF6	SF7	SF8	SF9	SF10	SF11	SF12
203	-109	-111	-115	-118	-121	-124	-127	-130
406	-107	-110	-113	-116	-119	-122	-125	-128
812	-105	-108	-112	-115	-117	-120	-123	-126
1625	-99	-103	-106	-109	-111	-114	-117	-120

The following table shows the raw data rates that can be obtained when using the LoRa® modem:

Table 6-2: Raw Data Rates when using LoRa®

Bandwidth [kHz]	Raw Data Rates [kb/s]							
	SF5	SF6	SF7	SF8	SF9	SF10	SF11	SF12
203	31.72	19.03	11.1	6.34	3.57	1.98	1.09	0.595
406	63.44	38.06	22.2	12.69	7.14	3.96	2.18	1.19
812	126.88	76.13	44.41	25.38	14.27	7.93	4.36	2.38
1625	253.91	152.34	88.87	50.78	28.56	15.87	8.73	4.76

To calculate the effective data rates, which depend on the coding rate, and time-on-air necessary for the dimensioning of your application, use the SX1280 Calculator Tool available for download on www.semtech.com.

6.2.3 Bandwidth

In an LoRa® system the bandwidth setting sets the double sided modulation bandwidth, which is equivalent to the chip rate. An increase in signal bandwidth is equivalent to a higher effective data rate. This means that the symbol period is given by:

$$T_s = \frac{2^{SF}}{BW}$$

Note:

The Spreading Factor (SF) and Bandwidth (BW) must be known in advance on both transmit and receive sides of the link as different spreading factors are orthogonal to each other.

The symbol period is an important parameter in calculating the time on air of the LoRa® packet as shown in [Section 7.4 "LoRa® Packet" on page 49](#). The trade-off between sensitivity and time on air of the signal is defined by setting Spreading Factor and bandwidth of LoRa® modulation. We define a raw data rate, R_b , for the LoRa® modem (that doesn't take into account the overhead of error correction) equivalent to:

$$R_b = \frac{SF}{T_s}$$

6.2.4 Forward Error Correction Coding Rate

The LoRa® modem uses cyclic error coding to perform forward error detection and correction. Although Forward Error Correction (FEC) will not improve the sensitivity of the modem in the presence of burst interference, it is efficient in improving the link reliability in presence of bursty interference. Coding rate can be changed in response to channel conditions and optionally be included in the packet header for use by the receiver. Increased overhead in time-on-air is proportional to the error correcting capability of the FEC. The resulting *effective* bit rate, including influence of FEC, is given by:

$$R_{beff} = R_b * \frac{4}{(4 + CR)}$$

where CR is the programmed coding rate. The settings permissible for the LoRa® modem give data rates in the range from 71 kb/s to 202 kb/s, with a BW of 1625 kHz, down to 476 bps for BW = 200 kHz.

6.2.5 Ranging Engine

The ranging engine uses the LoRa® modem to perform a time-of-flight measurement between a pair of transceiver radios. Full details of operation of the ranging functionality are given in Section 14.5 "Ranging Operation" on page 136. Time-of-flight requires using the ranging engine packet format as in Section 7.5 "LoRa® Ranging Engine Packet" on page 53.

6.2.6 Advanced Ranging

Advanced ranging is the ability to overhear ranging exchanges between a ranging master and ranging slave. The advanced ranging result is hence the difference in time, so equivalently difference in distance, between the ranging request of the master and the ranging response of the slave.

The use of this functionality is described in Section 14.6 Advanced Ranging. The advanced ranging functionality uses the same packet format as conventional ranging as documented in Section 7.5 "LoRa® Ranging Engine Packet" on page 53.

6.2.7 Frequency Error

The SX1280 derives its RF centre frequency from a crystal reference oscillator which has a finite frequency precision. Errors in reference frequency will manifest themselves as errors of the same proportion from the RF centre frequency. There are two types of frequency drift that must be considered, static (fixed) frequency offset between transmitter and receiver and dynamic - i.e. small scale frequency drift **during** the transmission of a packet.

6.2.7.1 Static Offset

In LoRa® receive mode the SX1280 modem is tolerant of frequency offsets upto $\pm 25\%$ of the bandwidth and will accurately demodulate over this range. Limitations apply at SF12 and high reference oscillator timing offsets. The *total* permissible reference frequency offset between a pair of SX1280 for a given LoRa® modem bandwidth and spreading factor is shown below:

Table 6-3: Total Permissible Reference Drift

LoRa® Bandwidth [kHz]	Tolerable offset [\pm ppm]	
	SF5 to SF11	SF12
1600	80	50
800	80	50
400	42	42
200	21	21

6.2.7.2 Dynamic Frequency Drift

The total frequency dynamic drift during packet transmission should be kept lower than *Freq_drift_max*:

$$Freq_drift_max = \frac{BW}{3 * 2^{SF}}$$

In SF11 & SF12, the total frequency drift during packet transmission is relaxed to 16 x *Freq_drift_max*.

6.3 FLRC Modem

The Fast Long Range Communication (FLRC) modem is based upon a coherent demodulation of *GMSK* combined with forward error correction and interleaving techniques to improve receiver sensitivity. These parameters are accessible to the user, allowing high speed communication with an 8 to 10 dB improvement in link budget when compared with *FSK* modulation at the same data rate.

The available packet type to be used with the *FLRC* modem is the *FLRC* packet described in [Section 14.3 "FLRC Operation" on page 121](#).

6.3.1 Modem Bandwidth and Data Rates

These higher data rates cover the range from 260 kb/s to 1.3 Mb/s. To support these raw data rates, modulation bandwidths from 0.3 MHz to 2.4 MHz are available. Note that not all combinations of bandwidth and data rate are supported. For this reason, the raw data rate is programmed using the *SetModulationParam()* command, the first parameter of this command selects one of the valid combinations of raw data rate and double side band modulation bandwidth.

Table 6-4: Valid FLRC Data Rate and Bandwidth Combinations

Symbol	Raw Bit Rate Rb [Mb/s]	Bandwidth BW [MHz DSB]
FLRC_BR_1_300_BW_1_2	1.3	1.2
FLRC_BR_1_040_BW_1_2	1.04	1.2
FLRC_BR_0_650_BW_0_6	0.65	0.6
FLRC_BR_0_520_BW_0_6	0.52	0.6
FLRC_BR_0_325_BW_0_3	0.325	0.3
FLRC_BR_0_260_BW_0_3	0.26	0.3

6.3.2 FEC Coding Rate

The FLRC modem can optionally use forward error correction controlled by parameter *codingRate* (CR). The convolutional coding applied to the packet requires the addition of redundant information used in the process of error correction. Error correction makes the packet payload information robust to bursts of interference from other radio services in the same band or channel. The overhead is expressed below as a table of raw bit rate and effective bit rate that takes into consideration the influence of the FEC.

Table 6-5: Effective FLRC Data Rates Based upon FEC Usage with Resulting Sensitivities

Symbol	Raw Programmed Data Rate Rb [Mb/s]	Programmed Coding Rate CR	Effective Data Rate Rbeff [Mb/s]	Sensitivity [dBm] at PER 1%
FLRC_BR_1_300_BW_1_2	1.3	1	1.3	-96
	1.3	3/4	0.975	-100
	1.3	1/2	0.65	-99
FLRC_BR_1_040_BW_1_2	1.04	1	1.04	-97
	1.04	3/4	0.78	-100
	1.04	1/2	0.52	-101
FLRC_BR_0_650_BW_0_6	0.65	1	0.65	-99
	0.65	3/4	0.488	-103
	0.65	1/2	0.325	-104
FLRC_BR_0_520_BW_0_6	0.52	1	0.52	-100
	0.52	3/4	0.39	-104
	0.52	1/2	0.26	-104
FLRC_BR_0_325_BW_0_3	0.325	1	0.325	-101
	0.325	3/4	0.244	-106
	0.325	1/2	0.163	-106
FLRC_BR_0_260_BW_0_3	0.26	1	0.26	-103
	0.26	3/4	0.195	-105
	0.26	1/2	0.130	-106

6.3.3 Gaussian Filtering

In transmit mode an optional Gaussian filter controlled by parameter **BT** is also available. This filtering function is used to reduce the side-lobe emissions of the transmitted **FLRC** signal. Valid values of filtering parameter **BT** in order of reducing filtering effort are: 0.5, 1 or OFF. Filter **BT** is also configured by the *SetModulationParam()* command.

6.3.3.1 FLRC Frequency Tolerance.

The modem is configured with the data rate parameters set through the *SetPacketParam()* and *SetModulationParam()* commands described in [Section 12. "List of Commands" on page 99](#). There are three phases in the reception process. The first relies on a bank of correlators all looking for a valid incoming preamble. The number of correlators running is a function of the bandwidth and data rate to ensure that, for data rates of 1.3 Mb/s and 1.04 Mb/s, +/- 30 ppm of frequency drift can be accommodated for a single radio (so +/- 60 ppm for the total link). For lower data rates this drops to +/- 10 ppm of frequency offset between transmitter and receiver for a single radio (so +/- 20 ppm for the total link).

Once a valid preamble is detected, the modem proceeds to check the synchronisation word to ensure that the received packet is intended for that radio. The final phase of the demodulation process is demodulation of the packet data itself.

The acceptable frequency tolerance for each modem setting is shown in the following table.

Table 6-6: Receiver Performance of the FLRC Modem

Data Rate [Mb/s]	Bandwidth [MHz]	Frequency Tolerance [kHz]
1.3	1.2	+/- 150
1.04	1.2	+/- 150
0.65	0.6	+/- 150
0.52	0.6	+/- 150
0.325	0.3	+/- 75
0.260	0.3	+/- 75

6.4 FSK Modem

The FSK modem features optional Gaussian filtering and supports FSK, GFSK, MSK and GMSK modulation formats.

This modulator is also used to provide physical layer compatibility with Bluetooth Low Energy, thus two frame types are compatible with the FSK modem: BLE frame and GFSK frame, for more information on these frame formats and their use please see [Section 14.2 "BLE Operation" on page 113](#) and [Section 14.1 "GFSK Operation" on page 104](#) respectively.

6.4.1 Modem Bandwidth and Data Rates

The FSK modem is capable of 2-FSK modulation over a range of data rates from 125 kb/s to 2 Mb/s. The data rate is controlled by the *SetModulationParams()* command of [Section 11.7.7 "SetModulationParams" on page 89](#). The FSK double side band (DSB) occupied bandwidth is defined, together with other modulation parameters, in the image below:

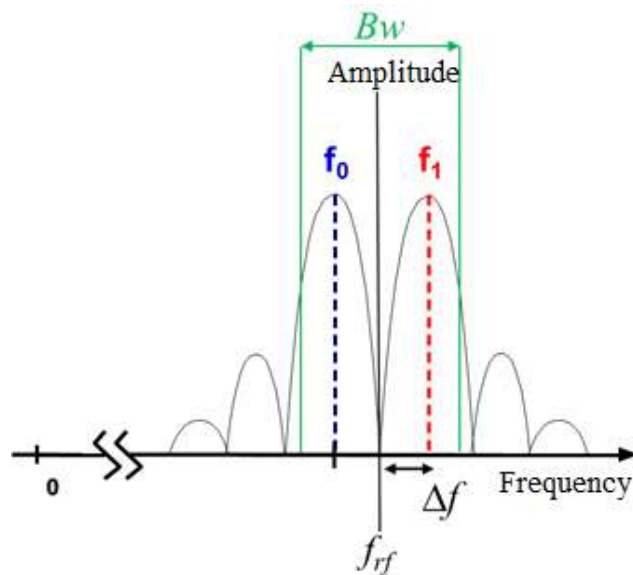


Figure 6-2: FSK Modulation Parameters

Where Δf is the frequency deviation, and f_{rf} is the RF centre frequency.

In receive mode the bandwidth is configured to the lowest receiver bandwidth that can accommodate the signal bandwidth of the FSK signal, for data rate R_b , is defined as:

$$B_{-20\text{dB}} = 2\Delta f + R_b$$

Programmable bandwidths in the range 0.3 MHz to 2.4 MHz are available, however, not all combinations of raw data rate and bandwidth are valid. The range of valid combinations are shown in the following table.

Table 6-7: Valid FSK Data Rate and Bandwidth Combinations with Resulting Sensitivities

Symbol	Raw Bitrate R_b [Mb/s]	Bandwidth BW [MHz DSB]	Sensitivity [dBm]
FSK_BR_2_000_BW_2_4	2.0	2.4	-83
FSK_BR_1_600_BW_2_4	1.6	2.4	-84
FSK_BR_1_000_BW_2_4	1.0	2.4	-87
FSK_BR_1_000_BW_1_2	1.0	1.2	-88
FSK_BR_0_800_BW_2_4	0.8	2.4	-87
FSK_BR_0_800_BW_1_2	0.8	1.2	-89
FSK_BR_0_500_BW_1_2	0.5	1.2	-90
FSK_BR_0_500_BW_0_6	0.5	0.6	-89
FSK_BR_0_400_BW_1_2	0.4	1.2	-91
FSK_BR_0_400_BW_0_6	0.4	0.6	-90
FSK_BR_0_250_BW_0_6	0.25	0.6	-92
FSK_BR_0_250_BW_0_3	0.25	0.3	-93
FSK_BR_0_125_BW_0_3	0.125	0.3	-95

Note:

Due to the absence of an error correcting code in the FSK modem, there is no notion of effective data rate.

6.4.2 Modem Modulation Index

In addition to the raw bit rate and bandwidth, the designer also has the flexibility to change the modulation index over the range 0.35 to 2. The modulation index, β , is a figure of merit that describes the proximity of '1' and '0' frequencies for a given data rate. This influences the ease with which each logical level can be discriminated by the demodulator and is given by:

$$\beta = \frac{2\Delta f}{R_b}$$

where Δf is the frequency deviation and R_b is the programmed data rate.

6.5 Guidance on Modem Selection

The relative receive performance of the three modems in the transceiver is shown in the figure below. The blue line represents the Shannon limit for error-free communication at settings equivalent to those used to measure the performance of the modems. Here we see that the conventional **FSK** modem, as used for legacy and Bluetooth communication yields conventional sensitivity figures for 2.4 GHz operation.

In contrast to this, the **LoRa**® modulation gives access to lower effective data rates thanks to the use of spread spectrum techniques. This significantly improves the sensitivity, bringing it within 10 to 11 dB of the theoretical limit.

The **FLRC** modem, based upon a coherent **MSK** demodulator, provides access to higher effective data rates - maintaining the same improvement in sensitivity relative to the Shannon bound. Therefore, for links seeking longer range without being penalized by longer time-on-air, the **FLRC** modem provides the required design flexibility.

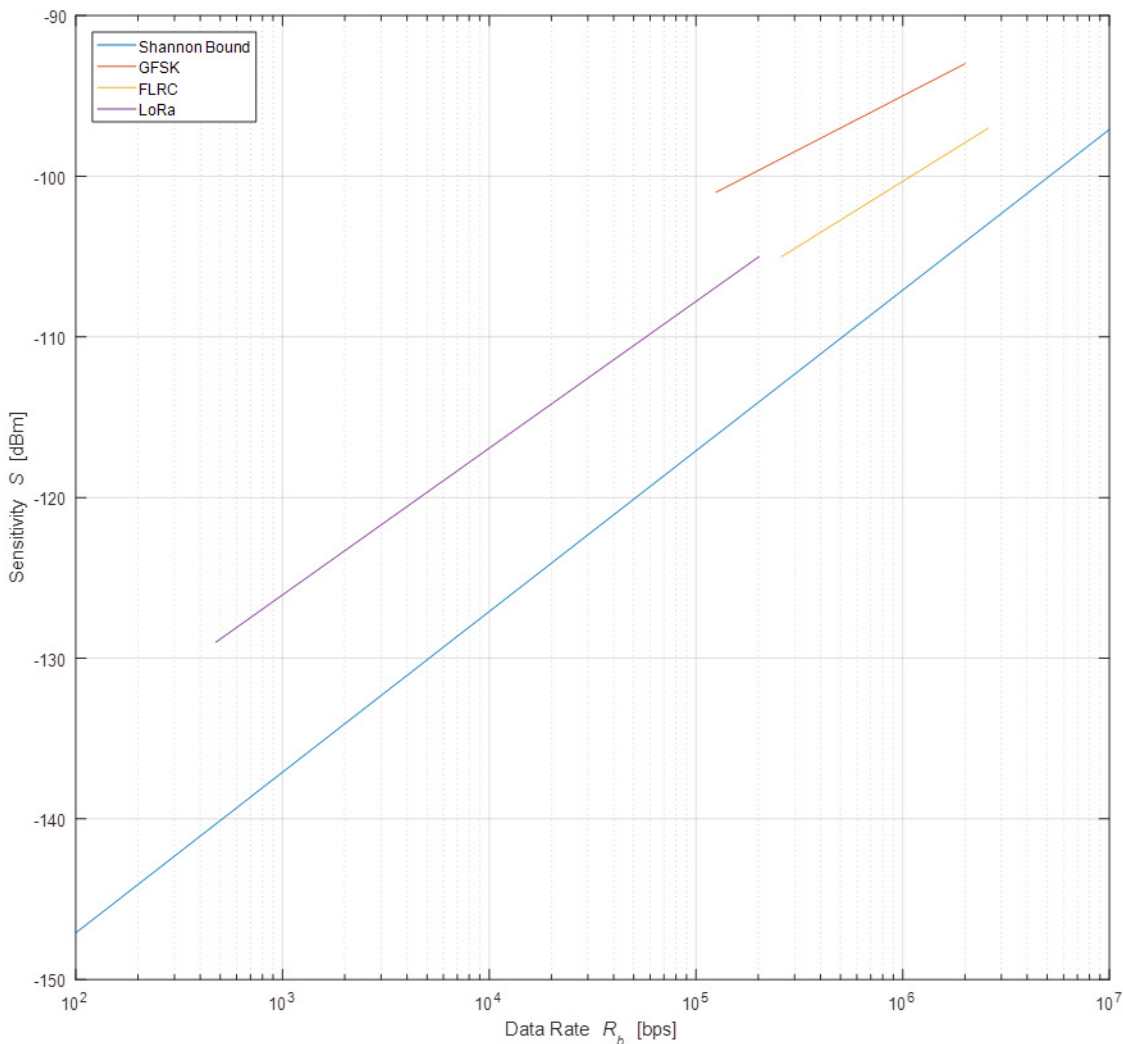


Figure 6-3: Sensitivity Performance of the Transceiver Modems

7. Packet Engine

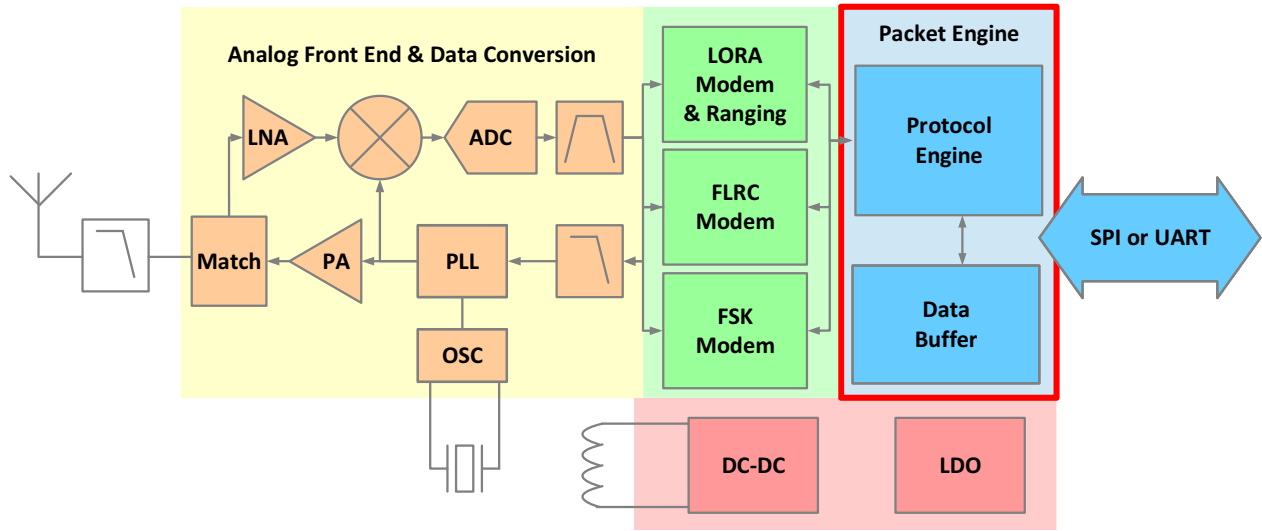


Figure 7-1: Transceiver Block Diagram, Packet Engine Highlighted

The transceiver is designed for packet-based operation. The packet controller works in half-duplex mode i.e. either in transmit or receive at a time. The packet controller is configured using the command *SetPacketParam()* outlined in Section 12. "List of Commands" on page 99.

Given that operation of the packet engine depends upon the selected packet type, the packet type must be selected using the *SetPacketType()* command prior to configuration of the packet parameters.

In receive mode the packet engine is responsible for assembly and recovery of the data bit-stream and its storage in the data buffer. The data buffer is described in more detail in Section 8. "Data Buffer" on page 57. It also performs the bit-stream decoding operations such as de-whitening and CRC-checks on a received bit-stream.

In transmit mode the packet engine constructs the packet and sends it to the modulator for transmission. It can also perform all coding and decoding required specific to the selected packet type including data whitening, CRC-checksum, interleaving, convolutional coding and FEC.

The packet controller block supports a variety of packet types depending upon the modem. The GFSK modem supports a GFSK packet and Bluetooth Low Energy (BLE) packet. The FLRC modem supports a specific FLRC packet format and the LoRa modem has both LoRa data packets and ranging mode packet types.

CAUTION!

The transceiver only implements the Bluetooth Low Energy physical layer. A full Bluetooth link layer is required for full compatibility. This section details packet format, data transmission and reception. In this mode of operation bit rates different from 1 Mb/s are also available to address other applications using the same packet format.

It is important to note that in case of a reception the PDU will be stored in the data buffer. In case of a transmission, the PDU must be loaded into the data buffer.

7.1 GFSK Packet

The GFSK packet format provides a conventional packet format for application in proprietary Non-Return-to-Zero (NRZ) coded, long range, low energy communication links. The packet format has built-in facilities for CRC checking of the payload and dynamic payload size. Optionally a whitening-transformation based upon Pseudo-Random Number Generation (PRNG) can be enabled. The GFSK packet is used with FSK modulation.

Two main packet formats are available in the GFSK frame: fixed-length and variable-length packets.

7.1.1 Fixed-length Packet Format

In fixed length mode, the packet length must be known by both transmitting and receiving radio and is specified with the *packetLength* parameter, the length can vary from 0 to 255 bytes.

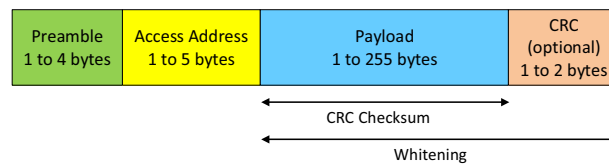


Figure 7-2: Fixed-length Packet Format

The preamble length is set from 0.5 to 4 bytes in nibble increments using the *PreambleLen* parameter. For 1 Mb/s communication, at least 1 byte of preamble is recommended. For all other data rates, at least 2 bytes are required. The CRC operation, packet length and preamble length are defined using the *SetPacketParam()* command as defined in [Section 12. "List of Commands" on page 99](#).

7.1.2 Variable-length Packet Format

Where the packet is of variable size, then information about the packet length must be transmitted within the packet. The format of the variable length packet is shown below.

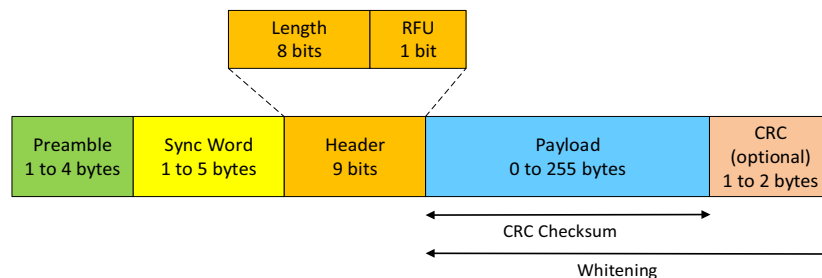


Figure 7-3: Variable-length Packet Format

7.2 BLE Packet Format

Note: The SX1280/SX1281 transceiver complies with the Bluetooth® Standard up to version 4.2.

The BLE packet format is shown in the diagram below. It comprises a single byte of preamble followed by 4 bytes of access codes, a Protocol Data Unit (PDU) and 3 CRC bytes.

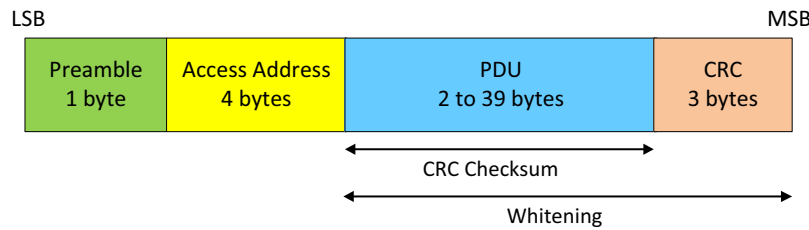


Figure 7-4: BLE Packet Format

The PDU has two formats: the advertising channel PDU and the data channel PDU. In both cases, the PDU consists of a 2-byte header and payload data (6 to 37 bytes for advertising channel or 0 to 31 bytes for data channel).

The advertising PDU format is used to periodically broadcast and/or initiate a connection request to any listening (initiator) devices on one of three advertising channels. Once the communication is established, the initiator becomes the master device and the advertiser the slave device. (Note that the packet CRC can optionally be disabled but loses BLE compatibility).

The **advertising channel PDU header** contains:

- 4 bits to indicate one of 7 advertising channel PDU types
- 2 bits as Reserved for Future Use (RFU)
- TxAdd(ress) and RxAdd(ress) bits to indicate if the advertiser’s address is public or random
- a 6-bit length field to indicate the length of the payload
- 2 reserved bits

The **data channel PDU header** contains:

- LLID to indicate if the packet is control or data type
- NESN is the Next Expected Sequence Number, used for acknowledgment and flow control
- SN is the current Sequence Number, used for acknowledgment and flow control
- MD stands for More Data, to indicate that the device has more data to send during the connection event
- Length is the payload + Message Integrity Check (MIC) length in bytes
- 3 reserved bits

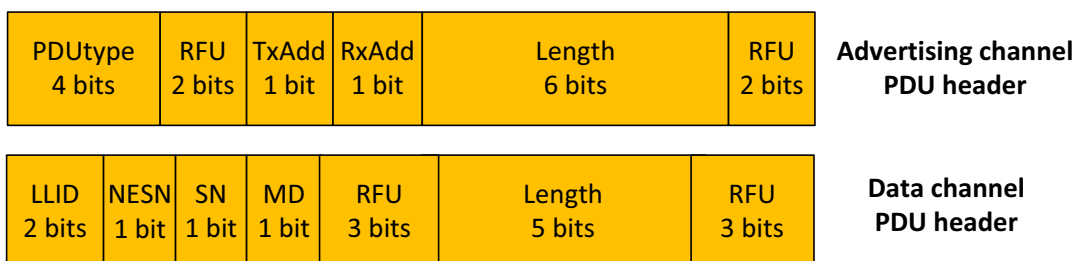


Figure 7-5: PDU Header Format

Note:

Headers are not generated by the transceiver and must be calculated externally and passed as part of the payload to the data buffer.

7.3 FLRC Packet

The FLRC modem is based upon a coherent demodulation of GMSK combined with forward error correction and interleaving techniques to improve receiver sensitivity at higher data rates than are possible using the LoRa® modem. However the FLRC modem has higher sensitivity and better link budget than conventional FSK-based modulation. Convolutional coding and decoding is also employed to further enhance link budget and immunity to interference.

7.3.1 FLRC Packet Format

Although proprietary, the FLRC packet is conventional in its construction. It features a header, Sync Word and CRC structure. Similar to the GFSK mode, two packet formats are available for fixed and variable length packets.

7.3.2 Fixed-Length Packet Format

The fixed packet length format is shown in the diagram below. The packet contains the following elements:

- a variable-length AGC preamble - for the 1.3 Mb/s data rate, it can be reduced to 1 byte, for all other data rates at least 2 bytes are required, the AGC preamble can be up to 4 bytes long
- a 21-bit timing recovery preamble,
- a 4-byte Sync Word
- the fixed length payload which can be from 6 to 127 bytes long
- a CRC field of 2, 3 or 4 bytes in length
- finally the packet is terminated by a short 6-bit sequence of trailing zeros

The Sync Word size, payload length and the CRC length are configured by the command *SetPacketParam()* as described in Section 12. "List of Commands" on page 99. The CRC is performed on all of the preceding bits except for the preamble.

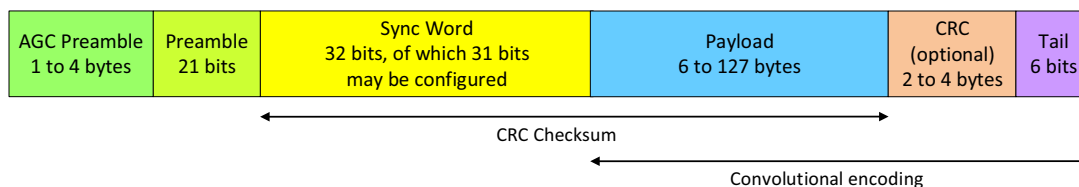


Figure 7-6: FLRC Fixed-length Packet Format

7.3.3 Variable-length Packet Format

The variable format packet is identical in form and function to the fixed packet length format but with the addition of a header to which the CRC and convolutional coding are applied. The header structure is fixed, featuring a 2-bit-type declaration, see the mapping in the figure below. It is followed by the payload length.

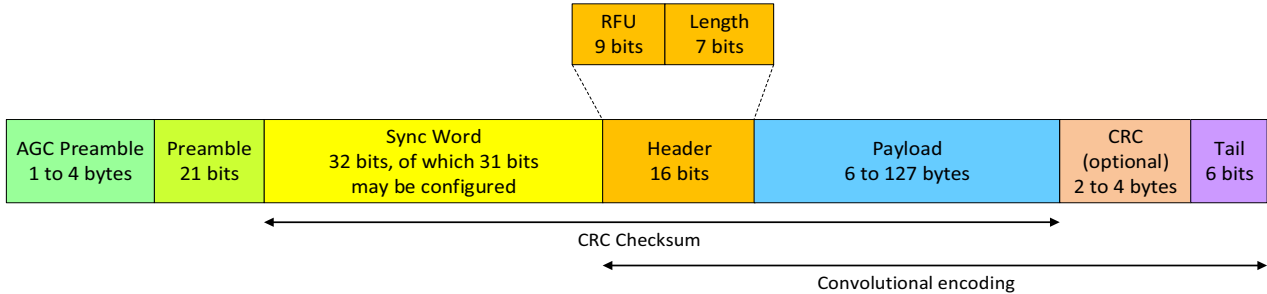


Figure 7-7: FLRC Variable-length Packet Format

7.3.4 FLRC Time-on-Air

The total number of bits transmitted in an FLRC packet is as defined in Figure 7-6: FLRC Fixed-length Packet Format. The calculation of the total time-on-air is therefore the combination of the number of payload bits (compensated for the influence of convolutional coding) and the number of header bits. Denoting the number of bits in each field of the packet, n , the number of uncoded bits is:

$$n_{uncoded} = n_{AGCPreamble} + n_{Preamble} + n_{SyncWord}$$

and the effective number of coded bits by:

$$n_{coded} = \text{ceil} \left[(n_{header} + n_{Payload} + n_{CRC} + n_{tail}) \times \left(\frac{1}{n_{CR}} \right) \right]$$

where n_{CR} is the value programmed as the coding rate, see Table 14-32: Modulation Parameters in FLRC Mode: Coding Rate and n_{header} is 16 bits if packet format is variable length, = 0 otherwise.

n_{tail} depends on the CR: $n_{tail} = 6$ bit if $CR = 1/2$ or $3/4$; $n_{tail} = 0$ in other cases.

The bit period for a given FLRC data rate is simply:

$$t_{bit} = \frac{1}{R_b}$$

Values of raw data rate, R_b , in FLRC can be found at Table 6-4: Valid FLRC Data Rate and Bandwidth Combinations.

and the total packet time-on-air is given by:

$$ToA_{FLRC} = t_{bit} * (n_{uncoded} + n_{coded})$$

7.4 LoRa® Packet

The LoRa® modem employs two types of packet format, explicit and implicit. The explicit packet includes a short header that contains information about the number of bytes, coding rate, the interleaving scheme and whether a CRC is appended to the packet.

7.4.1 LoRa® Packet Format

The LoRa® packet starts with a preamble sequence which is used to synchronize the receiver with the incoming signal. By default the packet is configured with a 12-symbol long sequence. This preamble length is programmable and can be extended; for example to reduce the receiver duty cycle in receive intensive applications. The programmable preamble length is configurable from 8 to 61440 symbols. The LoRa® modem automatically add 4.25 symbols making the range of real preamble length from 12.25 to 61444.25 symbols. This allows the transmission of near arbitrarily long preamble sequences.

The receiver undertakes a preamble detection process that periodically restarts, with a timing threshold based upon the programmed preamble length. For this reason the preamble length should be configured identically to the transmitter preamble length. Where the preamble length is not known, or can vary, the maximum preamble length should be programmed on the receive side.

An optional header may be included in the LoRa® packet. Explicit (variable-length) and implicit (fixed-length) header modes respectively indicate the inclusion or exclusion of a packet header.

7.4.2 Explicit (Variable-length) Header Mode

This is the default mode of operation and includes a header that features the following:

- The payload length in bytes
- The forward error correction code rate
- The presence of an optional 16-bit CRC for the payload

The 8-symbols long header is always encoded with the strongest error correction code allowing reception of the packet for any value of FEC applied to the payload. The header also features an individual CRC, allowing the receiver to discard invalid headers.

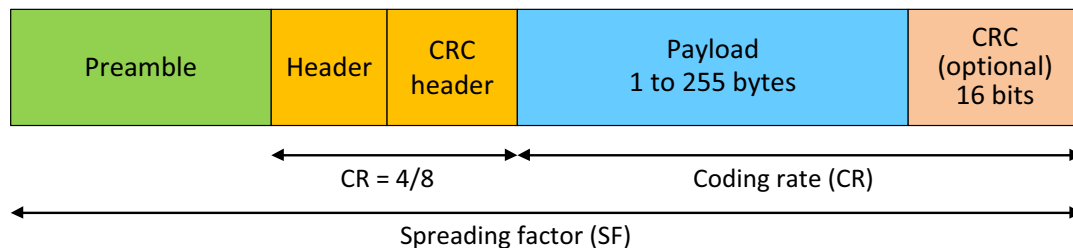


Figure 7-8: LoRa® Variable-length Packet Format

7.4.3 Implicit (Fixed-length) Header Mode

Where the payload, coding rate and CRC presence are known in advance the packet duration can be reduced by removing the header (implicit mode). Here the payload length, error coding rate and presence of the payload CRC must be manually configured on both sides of the radio link. After the header section is the payload of a preconfigured length coded at the error rate specified.

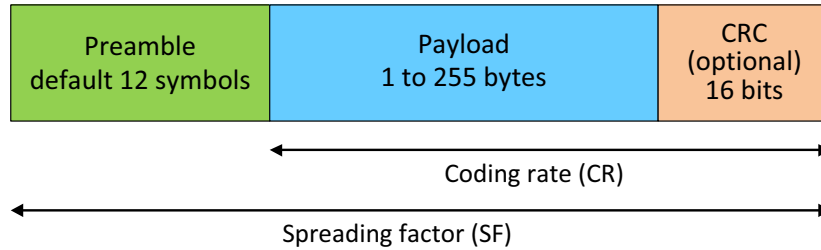


Figure 7-9: LoRa® Fixed-length Packet Format

7.4.4 LoRa® Time-on-Air

The packet format for the LoRa® modem is detailed in Figure 7-8: LoRa® Variable-length Packet Format and Figure 7-9: LoRa® Fixed-length Packet Format. The equation to obtain Time On Air (ToA) is:

$$ToA = \frac{2^{SF}}{BW} * N_{symbol} \text{ with:}$$

- SF : Spreading Factor (5 to 12)
- BW : Bandwidth (in kHz)
- ToA : the Time-on-Air in ms
- N_{symbol} : number of symbols

The computation of the number of symbols differs depending on the parameters of the modulation. Note that a calculator tool is available on the Semtech website for computation of time on air of the LoRa packet.

7.4.4.1 With CR as Legacy Coding Rate (i.e. not Long Interleaving)

$$N_{symbol} = N_{symbol_preamble} + 6.25 + 8 + \text{ceil} \left(\frac{\max(8 * N_{Byte_payload} + N_{bit_CRC} - 4 * SF + N_{symbol_header}, 0)}{4 * SF} \right) * (CR + 4)$$

if $SF < SF7$

$$N_{symbol} = N_{symbol_preamble} + 4.25 + 8 + \text{ceil} \left(\frac{\max(8 * N_{Byte_payload} + N_{bit_CRC} - 4 * SF + 8 + N_{symbol_header}, 0)}{4 * SF} \right) * (CR + 4)$$

if $SF7 \leq SF \leq SF10$

$$N_{symbol} = N_{symbol_preamble} + 4.25 + 8 + \text{ceil} \left(\frac{\max(8 * N_{Byte_payload} + N_{bit_CRC} - 4 * SF + 8 + N_{symbol_header}, 0)}{4 * (SF - 2)} \right) * (CR + 4)$$

if $SF > SF10$

With:

- $N_{bit_CRC} = 16$ if CRC activated, 0 if not
- $N_{symbol_header} = 20$ if header is variable, 0 if it is fixed
- CR is 1, 2, 3 or 4 for respective coding rates 4/5, 4/6, 4/7 or 4/8

7.4.4.2 For Long Interleaving

With Header:

if $SF < SF7$:

$$N_{bit_header_space} = \text{floor}\left(\frac{SF - 5}{2}\right) * 8$$

If $8 * N_{Byte_payload} + N_{bit_CRC} > N_{bit_header_space}$

$$N_{symbol} = N_{symbol_preamble} + 6.25 + 8 + \text{ceil}\left(\frac{\max\left(0, 8 * N_{Byte_payload} + N_{bit_CRC} - \min\left(8 * \text{floor}\left(\frac{SF - 5}{2}\right), 8 * N_{Byte_payload}\right)\right)}{4 * SF}\right) * CR$$

Else

$$N_{symbol} = N_{symbol_preamble} + 6.25 + 8 + \text{ceil}\left(\frac{\max\left(0, 8 * N_{Byte_payload} + N_{bit_CRC} - 8 * \text{floor}\left(\frac{SF - 5}{2}\right)\right)}{4 * SF}\right) * CR$$

if $SF7 \leq SF \leq SF10$:

$$N_{bit_header_space} = \text{floor}\left(\frac{SF - 7}{2}\right) * 8$$

If $8 * N_{Byte_payload} + N_{bit_CRC} > N_{bit_header_space}$

$$N_{symbol} = N_{symbol_preamble} + 4.25 + 8 + \text{ceil}\left(\frac{\max\left(0, 8 * N_{Byte_payload} + N_{bit_CRC} - \min\left(8 * \text{floor}\left(\frac{SF - 7}{2}\right), 8 * N_{Byte_payload}\right)\right)}{4 * SF}\right) * CR$$

Else

$$N_{symbol} = N_{symbol_preamble} + 4.25 + 8 + \text{ceil}\left(\frac{\max\left(0, 8 * N_{Byte_payload} + N_{bit_CRC} - 8 * \text{floor}\left(\frac{SF - 7}{2}\right)\right)}{4 * SF}\right) * CR$$

if $SF > SF10$:

$$N_{bit_header_space} = \text{floor}\left(\frac{SF - 7}{2}\right) * 8$$

If $8 * N_{Byte_payload} + N_{bit_CRC} > N_{bit_header_space}$

$$N_{symbol} = N_{symbol_preamble} + 4.25 + 8 + \text{ceil}\left(\frac{\max\left(0, 8 * N_{Byte_payload} + N_{bit_CRC} - \min\left(8 * \text{floor}\left(\frac{SF - 7}{2}\right), 8 * N_{Byte_payload}\right)\right)}{4 * (SF - 2)}\right) * CR$$

Else

$$N_{symbol} = N_{symbol_preamble} + 4.25 + 8 + \text{ceil}\left(\frac{\max\left(0, 8 * N_{Byte_payload} + N_{bit_CRC} - 8 * \text{floor}\left(\frac{SF - 7}{2}\right)\right)}{4 * (SF - 2)}\right) * CR$$

With:

- $N_{bit_CRC} = 16$ if CRC activated, 0 if not
- $N_{symbol_header} = 20$ if header is variable, 0 if it is fixed
- CR is 5, 6, or 8 for respective coding rates 4/5LI, 4/6LI, or 4/8LI

Without Header

SF < SF7

$$N_{symbol_beginning} = \text{ceil}\left(\frac{8 * N_{Byte_payload} + N_{bit_CRC}}{4 * SF} * CR\right)$$

If $N_{symbol_beginning} \leq 8$

$$N_{symbol} = N_{symbol_preamble} + 6.25 + \text{ceil}\left(\frac{8 * N_{Byte_payload} + N_{bit_CRC}}{4 * SF} * CR\right)$$

Else

$$N_{symbol} = N_{symbol_preamble} + 6.25 + 8 + \text{ceil}\left(\frac{8 * N_{Byte_payload} + N_{bit_CRC}}{4 * SF} * CR - 8\right)$$

SF7 ≤ SF ≤ SF10

$$N_{symbol_beginning} = \text{ceil}\left(\frac{8 * N_{Byte_payload} + N_{bit_CRC}}{4 * (SF - 2)} * CR\right)$$

If $N_{symbol_beginning} \leq 8$

$$N_{symbol} = N_{symbol_preamble} + 4.25 + \text{ceil}\left(\frac{8 * N_{Byte_payload} + N_{bit_CRC}}{4 * (SF - 2)} * CR\right)$$

Else

$$N_{symbol} = N_{symbol_preamble} + 4.25 + 8 + \text{ceil}\left(\frac{(8 * N_{Byte_payload} + N_{bit_CRC}) * CR + 64}{4 * SF} - 8\right)$$

SF > SF10

$$N_{symbol_beginning} = \text{ceil}\left(\frac{8 * N_{Byte_payload} + N_{bit_CRC}}{4 * (SF - 2)} * CR\right)$$

If $N_{symbol_beginning} \leq 8$

$$N_{symbol} = N_{symbol_preamble} + 4.25 + \text{ceil}\left(\frac{8 * N_{Byte_payload} + N_{bit_CRC}}{4 * (SF - 2)} * CR\right)$$

Else

$$N_{symbol} = N_{symbol_preamble} + 4.25 + 8 + \text{ceil}\left(\frac{8 * N_{Byte_payload} + N_{bit_CRC}}{4 * (SF - 2)} * CR - 8\right)$$

7.5 LoRa® Ranging Engine Packet

A detailed explanation of the ranging functionality can be found in the application note “An Introduction to Ranging with the SX1280 Transceiver” available on www.semtech.com.

The ranging operation consists of an exchange, or sequence of exchanges, between a transceiver configured as a ranging Master and a transceiver configured as a ranging Slave. In each exchange the Master generates a ranging packet that is sent over the air and received by the Slave. The Slave then synchronises with the incoming ranging packet and sends a ranging response.

When received by the Master, synchronisation with the ranging response allows the deduction of the time of flight between the Master and the Slave. This can be converted into distance. It should be noted that the distance reported will be representative of the path travelled by the radio wave rather than the shortest path distance between the Master and the Slave.

The Ranging Engine Packet structure is very similar to the LoRa® packet explicit header mode (see [Section 7.4.2 "Explicit \(Variable-length\) Header Mode" on page 49](#)). One reserved bit in the header is simply set to indicate that a packet is a ranging request. The header includes a 32-bit ranging Slave ID. The slave will reject any ranging request that does not have a matching ID.

To afford some flexibility to the system, the Slave may also check a portion of the ranging ID, specifically the least significant 8, 16, 24, or 32 bits.

The time-of-flight reported by the master is available in both raw format - where the result for a single ranging measurement is reported - or in filtered format. Filtering applies a non-linear filtering function to aggregate several ranging exchanges results and improve accuracy. For configuration of the filtering and the ranging parameters please see [Section 14.5 "Ranging Operation" on page 136](#) for more details.

7.5.1 Ranging Packet Format

The following figure shows the dedicated frames used in ranging exchange:

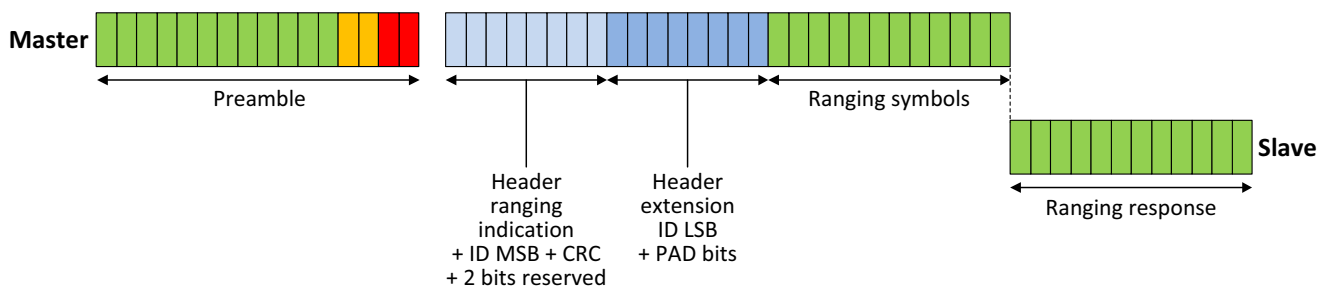


Figure 7-10: Ranging Packet Format

7.5.2 Ranging Master Exchange

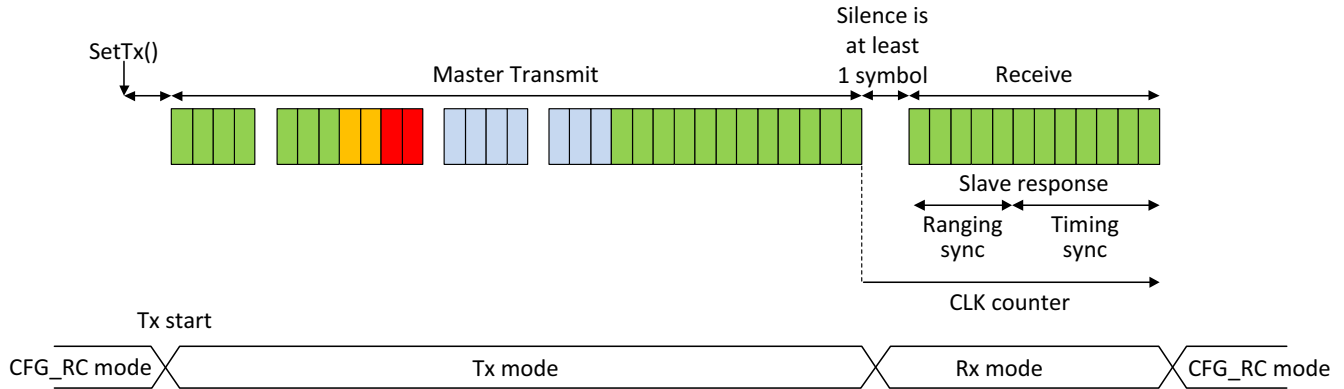


Figure 7-11: Ranging Master Packet Exchange

The entire ranging exchange, seen from the perspective of the ranging Master is shown above. The ranging exchange is initiated by the Master which transmits the ranging request. Following the transmit phase, master then switches to receive mode to await the ranging response from the Slave. The waiting delay noted $N_{ranging_symbol_silence}$ is deterministic and corresponds to the required time for the ranging Slave to process the ranging request.

7.5.3 Ranging Slave Exchange

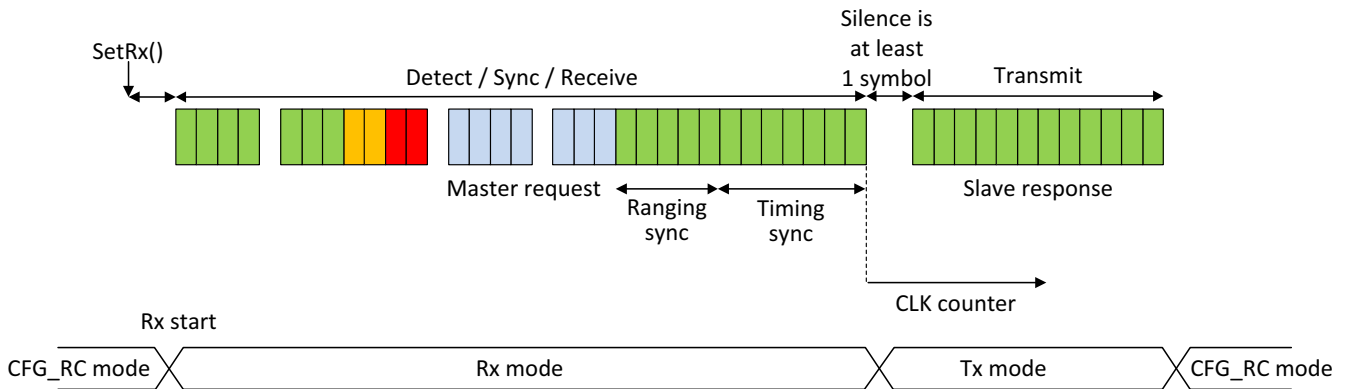


Figure 7-12: Ranging Slave Packet Exchange

From the perspective of the Slave, the radio must already be in Slave mode to receive the ranging request from the Master. Upon reception of ranging request the Slave checks the ranging request address and determines if it should answer it with a ranging response (see [Section 14.5.1 "Ranging Device Setting" on page 136](#) for detailed configuration of ranging request address checking mechanism). If the ranging Slave must send a ranging response, it waits for a strict period of one LoRa® symbol from ranging request end of reception to be exhausted to start transmitting the ranging response.

7.5.4 Total Exchange Duration

The ranging time-on-air only depends on the following elements:

- SF (from *setModulationParams*)
- BW (from *setModulationParams*)
- Preamble length (from *setPacketParams*)
- Number of ranging symbols
- The silence in switching slave from Rx to Tx

It does not depend on the following:

- Coding rate (from *setModulationParams*)
- Header type (from *setPacketParams*)
- Payload length (from *setPacketParams*)
- CRC mode (from *setPacketParams*)

$$T_{ranging} = T_S * N_{ranging_symbol_exchange}$$

$$N_{ranging_symbol_exchange} = N_{ranging_symbols_tx_master} + N_{ranging_symbol_delay} + N_{ranging_symbols_tx_slave}$$

$$N_{ranging_symbols_tx_master} = N_{preamble} + N_{ranging_symbol_header} + N_{ranging_symbols}$$

$$N_{ranging_symbols_tx_slave} = N_{ranging_symbols}$$

$$T_S = \frac{2^{SF}}{BW}$$

Where:

$$N_{ranging_symbol_delay} = 2$$

is the deterministic symbol equivalent duration of the silence between end of ranging request reception and beginning of ranging response transmission

$$N_{preamble} = N_{symbol_preamble} + 4.25$$

is the number of actual preamble symbols sent, depending on user configured preamble

$$N_{ranging_symbol_header} = 16$$

is the number of symbols in LoRa ranging header

Which gives:

$$T_{ranging} = \frac{2^{SF}}{BW} * (N_{symbol_preamble} + 2 * N_{ranging_symbols} + 22.25)$$

Similarly to the detailed expression of complete ranging Time on Air, it is possible to express the Time on Air specific to Master and Slave (useful for consumption computation) as the following:

$$T_{ranging_master_tx} = \frac{2^{SF}}{BW} * (N_{preamble} + N_{ranging_symbols} + 16)$$

$$T_{ranging_slave_tx} = \frac{2^{SF}}{BW} * N_{ranging_symbols}$$

7.5.4.1 Example of Time-on-Air Computation

Configuration

- BW = 1625 kHz
- SF6
- $N_{symbol_preamble} = 12$
- $N_{ranging_symbols} = 15$
- $N_{ranging_symbol_delay} = 2$

Results:

- $T_{ranging} = 2.53$ ms
- $T_{ranging_master_tx} = 1.86$ ms
- $T_{ranging_slave_tx} = 0.59$ ms

7.5.5 Measurement

The image below shows a radiated measurement of a ranging exchange at identical settings to those above, the Master transmission is seen first, followed by the remote (weaker) Slave response. Within the timing resolution measurement step of the spectrum analyzer (20 μ s), the results (M1 and M2) match our prediction.

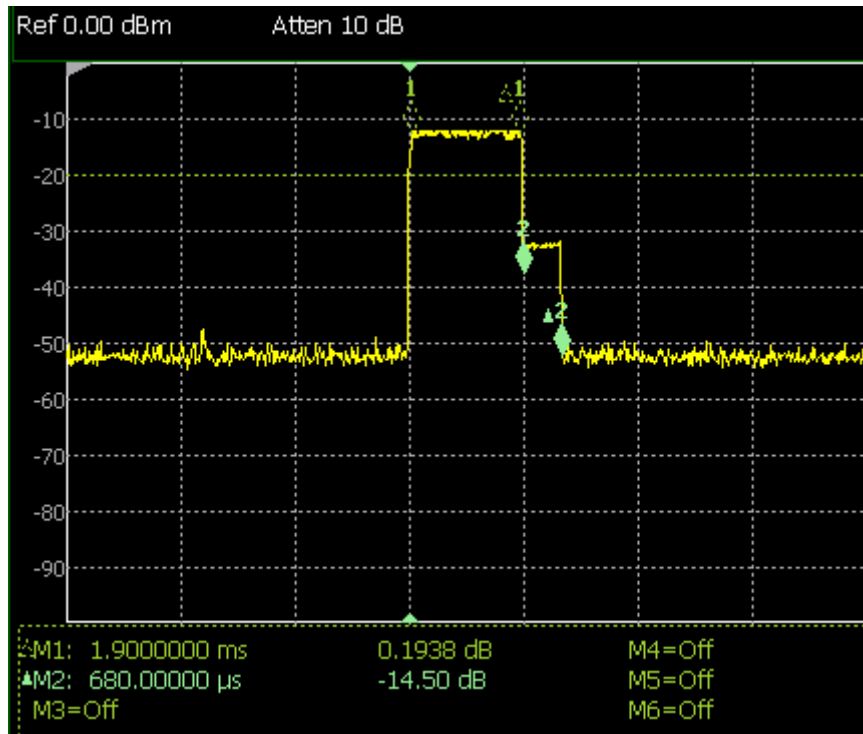


Figure 7-13: Ranging Measurement

8. Data Buffer

The transceiver is equipped with a 256 byte RAM data buffer which is accessible in all modes except sleep mode. This memory space is fully customizable by the user and allows access to either data for transmission or from packet reception. All access to the data buffer is via either the [SPI](#) or [UART](#) interfaces of [Section 9. "Digital Interface and Control"](#) on page 59.

8.1 Principle of Operation

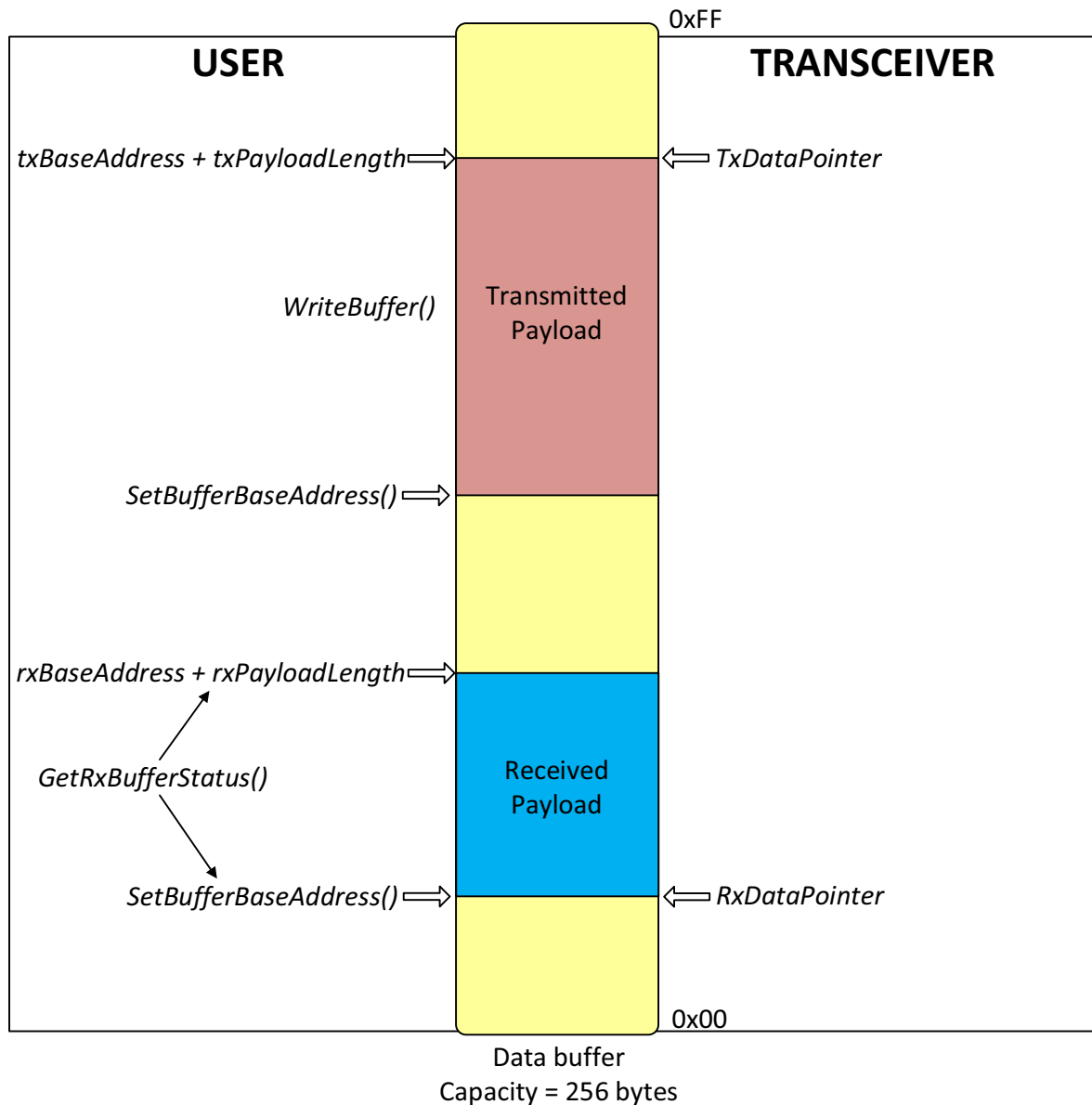


Figure 8-1: Data Buffer Diagram

The data buffer can be configured to store both transmit and receive payloads.

8.2 Receive Operation

In receive mode *rxBaseAddress* specifies the buffer offset in memory at which the received packet payload data will be written. The *RxDataPointer* which is initialized to the value *rxBaseAddress* at the beginning of the reception and subsequently updated to the tuhe buffer offset of last byte of the packet.

The pointer to the first byte of the last packet received and the packet length can be read via command *GetRxbufferStatus()*.

In single and continuous mode, *RxDataPointer* is automatically initialized to *rxBaseAddress* each time the transceiver enters to Rx. In continuous mode the receiver remains in Rx, and for each new reception, the pointer is incremented starting from the previous position. Therefore, if several packets are received in continuous mode, it is not possible to retrieve the base address and size of each one of the packets. A call to *GetRxBufferStatus()* will return the pointer to the first byte and size of only the last received packet.

It is important to note that should the received packets exceed the size of the data buffer, then the pointer index will wrap around to zero.

8.3 Transmit Operation

Upon each transition to transmit mode the pointer *TxDataPointer* is initialised to the *txBaseAddress* and is incremented each time a byte is sent over the air. This operation stops once the number of bytes sent equals the *payloadlength* parameter as defined in function *SetPacketParam()*.

8.4 Using the Data buffer

Both, *rxBaseAddress* and *txBaseAddress* are set using the command *SetBufferBaseAddress()*.

By default *rxBaseAddress* and *txBaseAddress* are initialized at address 0x00.

Due to the contiguous nature of the data buffer, the base addresses for Tx and Rx are fully configurable across the 256-byte memory area. Each pointer can be set independently anywhere within the buffer. To exploit the maximum data buffer size in transmit or receive mode, the whole data buffer can be used in each mode by setting the base addresses *txBaseAddress* and *rxBaseAddress* at the bottom of the memory (0x00).

It is possible to keep data value in Sleep mode by maintaining the data buffer under retention. However the pointer locations will be lost. In order to retrieve data from sleep retention the user must use default value for base address (for example 0x00 for Rx and 0x80 for Tx) or store *PayloadLengthRx* and *RxStartBufferPointer* before going to Sleep mode.

The data buffer is acceded via **SPI** or **UART** using the command *WriteBuffer()* and *ReadBuffer()*. In this function the parameter offset defines the address pointer of the first data to be written or read. Offset zero defines the first position of the data buffer.

Before any read or write operation it is hence necessary to initialize this offset to the corresponding beginning of the buffer. Upon reading or writing to the data buffer the address pointer will then increment automatically.

Two possibilities exist to obtain the offset value:

- The command *GetRxBufferStatus* returns *rxBaseAddress* and *PayloadLengthRx* that can be used to read-back the packet received in variable packet length mode.
- Use the *rxBaseAddress* value and the known packet length can be used in fixed packet length mode.

Important Note: All received data will be written to the data buffer even if the CRC is invalid, permitting user-defined post processing of corrupted data. When receiving, if the packet size exceeds the buffer memory allocated for the Rx, it will overwrite the transmit portion of the data buffer.

9. Digital Interface and Control

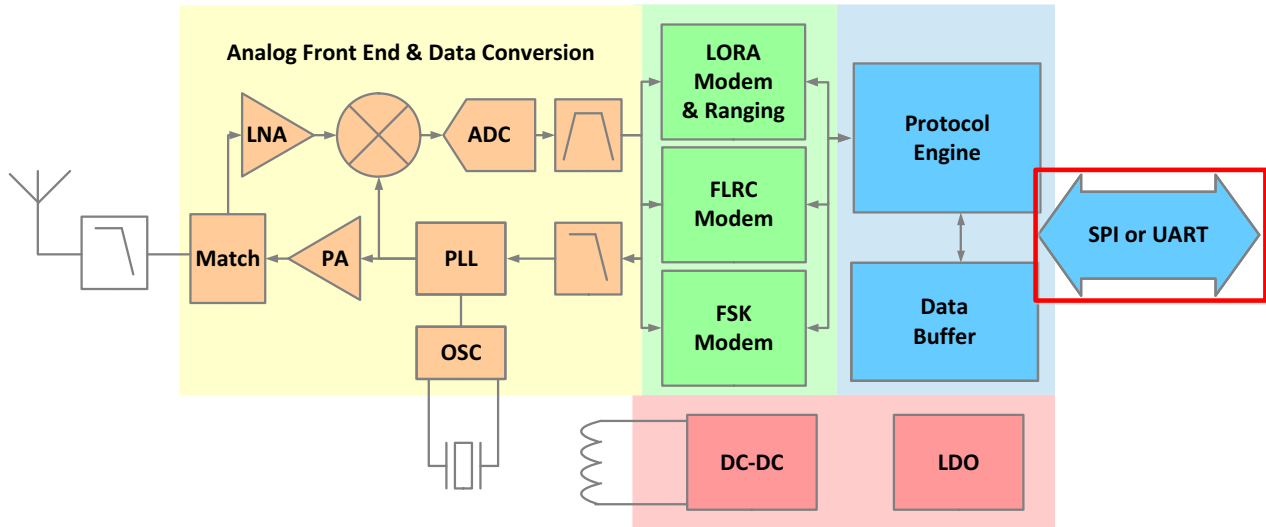


Figure 9-1: Transceiver Block Diagram, Digital Interface Highlighted

The transceiver is controlled via a serial interface (*SPI* or *UART*) and a set of general purpose input/output (DIOs). The transceiver uses a Protocol Engine to handle communication and transceiver control (mode switching, *API* etc...). Through *SPI* or *UART* the application sends commands to the internal processor or accesses directly the data memory space. All registers can be accessed by *SPI* or *UART*.

9.1 BUSY Pin Communication

In all communications the *BUSY* Pin is used to indicate, when low, that the transceiver is ready for new command. See Section 2. "Pin Connections" on page 17.

9.2 Interface Detection

At power-up both interfaces are enabled until the first one receives a valid transaction, this disables the unused interface. To allow reception by the SX1280 *UART*, *RTSN* needs to be driven low. However, since it is shared with *SCK*, initially the pin 18 is driven low with a high impedance driver. If the *UART* interface is detected, pin 18 is driven directly by the on-chip *UART*; otherwise the pin is configured as an input pin with a pull-down.

9.3 SPI Interface

The SPI interface gives access to the configuration register and API commands via a synchronous full-duplex frame corresponding to $CPOL = 0$ and $CPHA = 0$ in Motorola/Freescale nomenclature. Only the slave side is implemented. Meaning that MOSI is generated by the master on the falling edge of SCK and is sampled by the slave (i.e. this SPI interface) on the rising edge of SCK. MISO is generated by the slave on the falling edge of SCK.

Both write and reads operations are initiated by sending the corresponding opcode, then followed by 2 address bytes. Note that it is possible to read/write several bytes. The NSS pin is driven low at the beginning of the frame and high after the data byte.

A transfer is always started by the NSS pin going low. MISO is high impedance when NSS is high.

The SPI runs on the external SCK clock to allow high speed up to 18 MHz.

The host terminates an SPI transaction by raising the NSS signal, it does not explicitly send the command length as a parameter. The host must not raise NSS within the bytes of a transaction.

If the host sends a command requiring parameters, all parameters must be sent before raising NSS. If not, the transceiver will use unknown values for the missing parameters.

9.3.1 SPI Timing

The following specifications are given for the typical operating conditions of $V_{BAT_IO} = V_{BAT} = 3.3\text{ V}$, temperature = $25\text{ }^{\circ}\text{C}$, crystal oscillator frequency = 52 MHz.

All timings are given in next table for Max load cap of 10 pF.

Table 9-1: SPI Timing Requirements

Symbol	Description	Minimum	Typical	Maximum	Unit
t1	NSS falling edge to SCK setup time	25	-	-	ns
t2	SCK period	55	-	-	ns
t3	SCK high time	25	-	-	ns
t4	MOSI to SCK hold time	5	-	-	ns
t5	MOSI to SCK setup time	5	-	-	ns
t6	NSS falling to MISO delay	0	-	15	ns
t7	SCK falling to MISO delay	0	-	15	ns
t8	SCK to NSS rising edge hold time	25	-	-	ns
t9	NSS high time	100	-	-	ns
t10	NSS falling edge to SCK setup time when switching from Sleep to STDBY_RC mode	125	-	-	μs

9.3.2 SPI Timing When the Transceiver is in Active Mode

The transceiver is considered to be in active mode when not in Sleep mode. In active mode the transceiver can immediately process standard SPI commands i.e. there is no extra delay needed at the first SPI transaction. The main reason is that, contrary to the behavior when in sleep mode, the transceiver does not have to go through the start-up process.

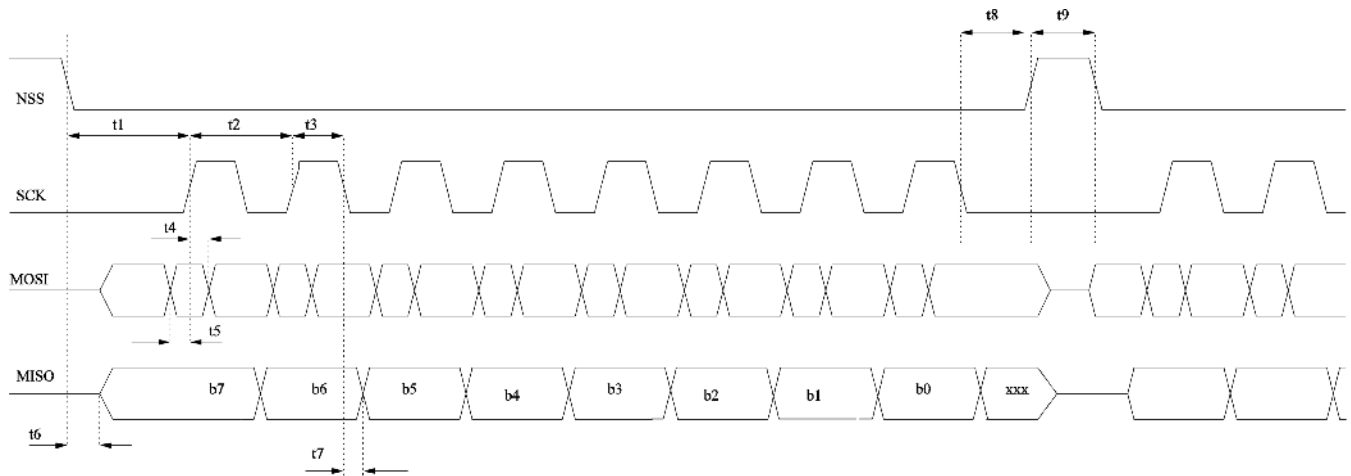


Figure 9-2: SPI Timing Diagram

9.3.3 SPI Timing When the Transceiver Leaves Sleep Mode

When in Sleep mode the transceiver can be awakened by applying a falling edge to NSS. Upon this falling edge, all necessary internal regulators are switched ON; the transceiver must complete its initialization before being able to accept the first SPI command. The delay between the falling edge of NSS and the first rising edge of SCK must take into account the transceiver initialization.

There are two methods to account for the initialization time. The first method, presented below, shows that following the wake-up, falling edge transition of NSS the transceiver waits a minimum of 125 us before commencing SPI communication to ensure that the wake-up process is complete.

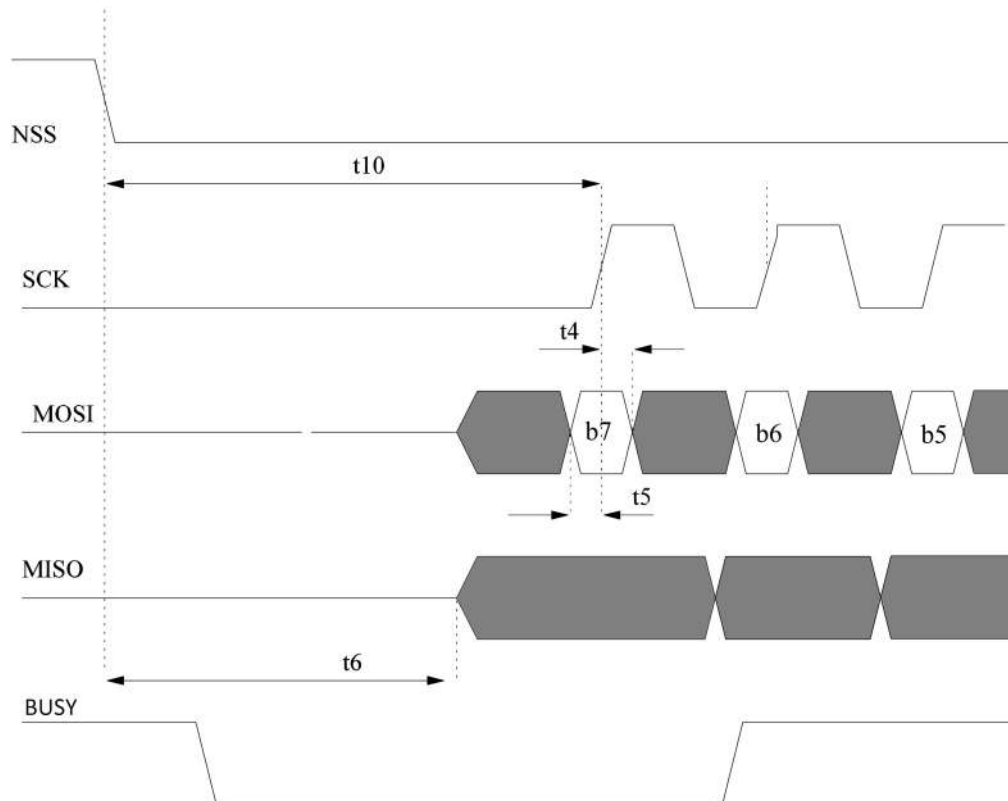


Figure 9-3: SPI Wake-Up Timing Transition

The alternative method, shown in the following figure, sees a pulse (t_{Pulse}) which must be of at least 2 us duration sent on the NSS line. Following this, the BUSY signal will go to zero once the wake-up process is complete. This falling edge can then be used to initiate the first SPI communication on the bus. Note that in both cases that output on MISO will not be valid as the digital interface detection process will be running.

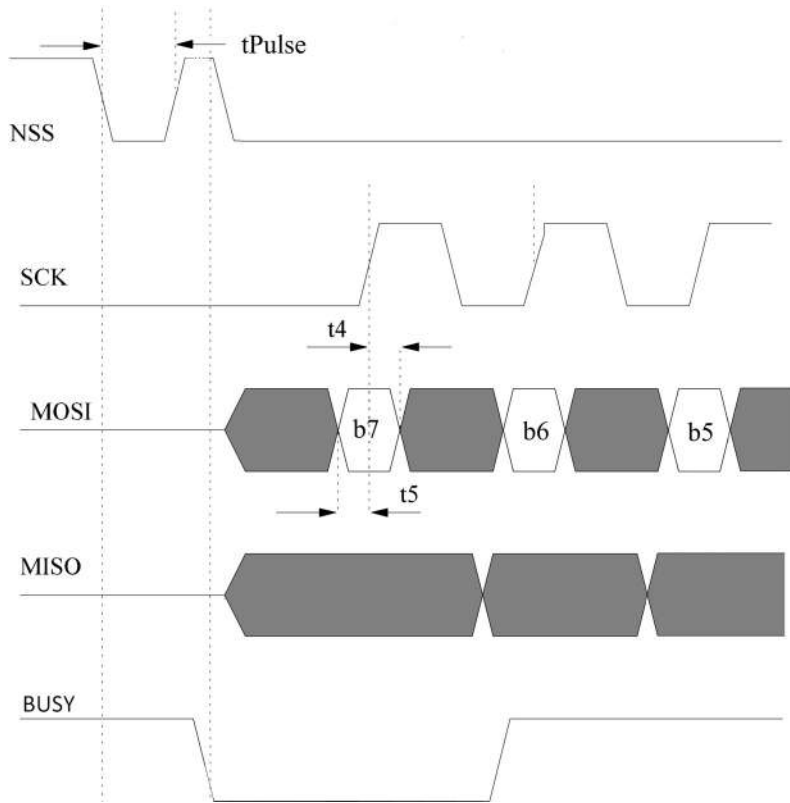


Figure 9-4: SPI NSS Pulse Timing Transition

In both cases the busy signal mapped on BUSY pin is set high, indicating to the host that the transceiver is not able to accept a new command. Once the transceiver is in STDBY_RC mode, the busy signal goes low and the host can start sending a command.

Note:

This is also true for startup at power on or after hard reset.

The values for the SPI timings are visible in [Section "The values for the SPI timings are visible in ." on page 63.](#)

9.4 UART Interface

9.4.1 Default UART Settings

The transceiver [UART](#) supports the following settings:

- Baud rates: 812.49 k, 460.6 k, 115.2 k, 57.6 k, 38.4 k, 19.2 k, 9.6k
- RTS/CTS flow control
- Parity control: none, odd, even
- 8 bit words
- 1, 2 stop bits
- Rx full, Tx empty, Error (parity, no stop bit) interrupts.

Initially the UART is configured to operate at 115.2 kbps with 1 stop bit, even parity, CTS flow control and with all communication arriving Least Significant Bit (LSB) first. At start-up the CSTN must be driven low to initiate communication. Following device reset it is necessary to flush information received on the UART Rx line before performing the first read operation. Other compatible UART communication settings may then be configured.

In a [UART](#) transaction, the host must provide the command length. The device starts processing the transactions as soon as the required bytes have been received. Subsequent bytes are treated as belonging to a new transaction.

9.4.2 Setting the UART Speed

Understanding that the first communication with the radio must be made at the default UART speed of 115.2 kbps, it is possible to change the interface clock speed using the `SetUartSpeed`. Please see [Section 11.2 "SetUartSpeed Command"](#) on [page 72](#) for more details.

9.5 Pin Sharing

The pins between [SPI](#) and [UART](#) are shared in the following way:

- [NSS](#) (IN) / [CTS](#)N (IN)
- [SCK](#) (IN) / [RTS](#)N (OUT)
- [MOSI](#) (IN) / [RX](#) (IN)
- [MISO](#) (OUT) / [TX](#) (OUT)

9.6 Multi-Purpose Digital Input/Output (DIO)

The transceiver provides 3 DIOs that can be configured as an interrupt.

The BUSY pin may be used as an interrupt by the host and is always an output. The busy interrupt is asserted low when the current command has been processed and the device is ready to accept a new one.

Additionally any of the 3 DIOs can be selected as an external interrupt source for the transceiver.

Note:

Any of the 3 DIOs can be mapped to any interrupt source from the transceiver using the `SetDioIrqParams()` command. For full details please see [Section 11.9.1 "SetDioIrqParams"](#) on page 96.

When the application receives an interrupt it can determine the source by reading the device IRQ register. The interrupt can be cleared using the `ClearIrq()` command.

When the [SPI](#) interface is used, the status is sent on every transaction that does not require data to be sent.

When using the [UART](#) interface the status can be retrieved via `GetIrqStatus()` command.

9.7 Transceiver Initialization on a Shared SPI Bus

Upon initial power up (or power-on-reset) of the SX1280, the radio determines which digital serial bus (SPI or UART) will be used based upon detection of the first communication received over the digital bus. To an SX1280 on a shared Serial Peripheral Interface (SPI) bus it is necessary to reset each radio prior to starting the first SPI communication with that device after power-up.

This is illustrated below. In this example, a suitable communication start-up sequence would be as follows:

1. Power-on or Power-on-Reset
2. SPI communication with Sensor
3. RESET SX1280 A
4. SPI Communication with SX1280 A
5. RESET SX1280 B
6. SPI Communication with SX1280 B

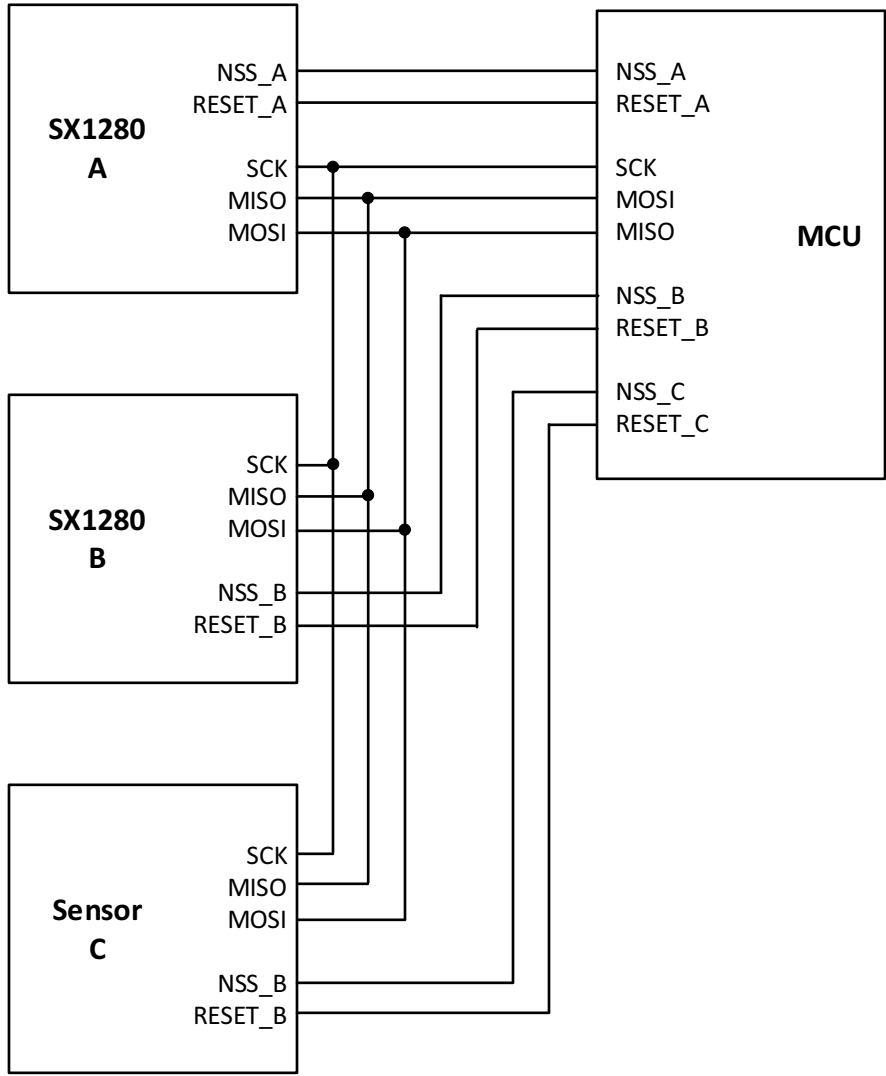


Figure 9-5: Multiple Radios Sharing an SPI Bus With a Sensor

10. Operational Modes

The transceiver features six operating modes, the analog front end and digital blocks that are enabled in each operating mode are explained in the following table:

Table 10-1: SX1280 Operating Modes

Mode	Enabled Blocks
SLEEP	Optional registers, backup regulator, RC64K oscillator, data buffer, data RAM
STDBY_RC	Top regulator (LDO), RC13M oscillator
STDBY_XOSC	Top regulator (DC-DC), RC13M oscillator, XOSC
FS	Frequency synthesizer at Tx frequency
Tx	Frequency synthesizer and transmitter, Modem
Rx	Frequency synthesizer and receiver, Modem

10.1 Startup

At power-up, the transceiver enters its start-up state. The BUSY pin is set to high, indicating that the transceiver is busy and cannot accept a command. When the digital voltage and RC clock are available, the transceiver can boot up and initiate the calibration phase which consists of:

- Calibration of the RC13 MHz with help of the 52 MHz crystal.
- Calibration of the RC 64K with the help of the 52 MHz crystal.
- Calibration of the PLL modulation path
- Calibration of the ADC

Once the calibration has terminated, the transceiver enters STDBY_RC mode. The transceiver is now ready and the BUSY pin goes low, indicating that the device is ready to accept a command from the host.

All results from calibration are stored in the data memory. When the transceiver wakes up from a Sleep mode and the data memory content is preserved, the calibration data is retrieved from memory without repeating the complete procedure.

10.2 Sleep Mode

In this mode only Start-up and Sleep Controller (SCC) block and optionally RC32K and timers are running, memories may be placed under retention. The transceiver may enter in this mode from STDBY_RC state and can leave the Sleep Mode if the NSS pin (19) is driven low.

10.3 Standby Mode

In Standby mode the host should configure the transceiver before going to either Rx or Tx modes. By default in this state, the system is clocked by the 13 MHz RC oscillator to reduce power consumption. However if the application is time critical, the **XOSC** block can be turned or left ON.

Crystal oscillator (STDBY_XOSC) or 13 MHz RC oscillator (STDBY_RC) selection in **STDBY** mode is determined by mode parameter in command *SetStandby(oscillatorMode)* command.

The DC-DC supply regulation is automatically powered in STDBY_XOSC mode.

10.4 Frequency Synthesis (FS) Mode

In FS mode, **PLL** and related regulators are switched ON. The BUSY pin goes low as soon as the PLL is locked.

The radio may be requested to remain in this mode by using the *SetFs()* command.

Since the transceiver uses a low IF architecture, the Rx and Tx frequencies are different. The Rx frequency is equal to Tx frequency minus the intermediate frequency (IF) offset (1.3 MHz by default). In FS mode the frequency to which the **PLL** is tuned corresponds to the transmit frequency.

10.5 Receive (Rx) Mode

In Rx mode the **LNA**, MIXER, **PLL** and selected modem (LoRa/**FSK**/**FLRC**) are turned ON. In continuous mode the device remains in Rx mode and looks for incoming packets until the host requests a different mode. In single mode the device returns automatically to STDBY_RC mode.

The transition to receive mode is made by issuing the *SetRx(periodBase, periodBaseCount)* command. The *periodBase* (oscillator timebase) and *periodBaseCount* (number of clock ticks) specifies the time-out upon which receive mode will be exited to STDBY_RC mode. The process of periodic reception can be fully automated in the transceiver. This process and the processing specific to each modulation format are described in [Section 14.1.3 "Rx Setting and Operations" on page 111](#).

10.6 Transmit (Tx) Mode

In Tx mode, after ramp-up the Power-Amplifier (**PA**) transmits the Tx packet. The device returns automatically to STDBY_RC after transmitting the packet.

10.7 Transceiver Circuit Modes Graphical Illustration

All of the device operating modes and the states through which each mode selection transitions is shown in the figure below:

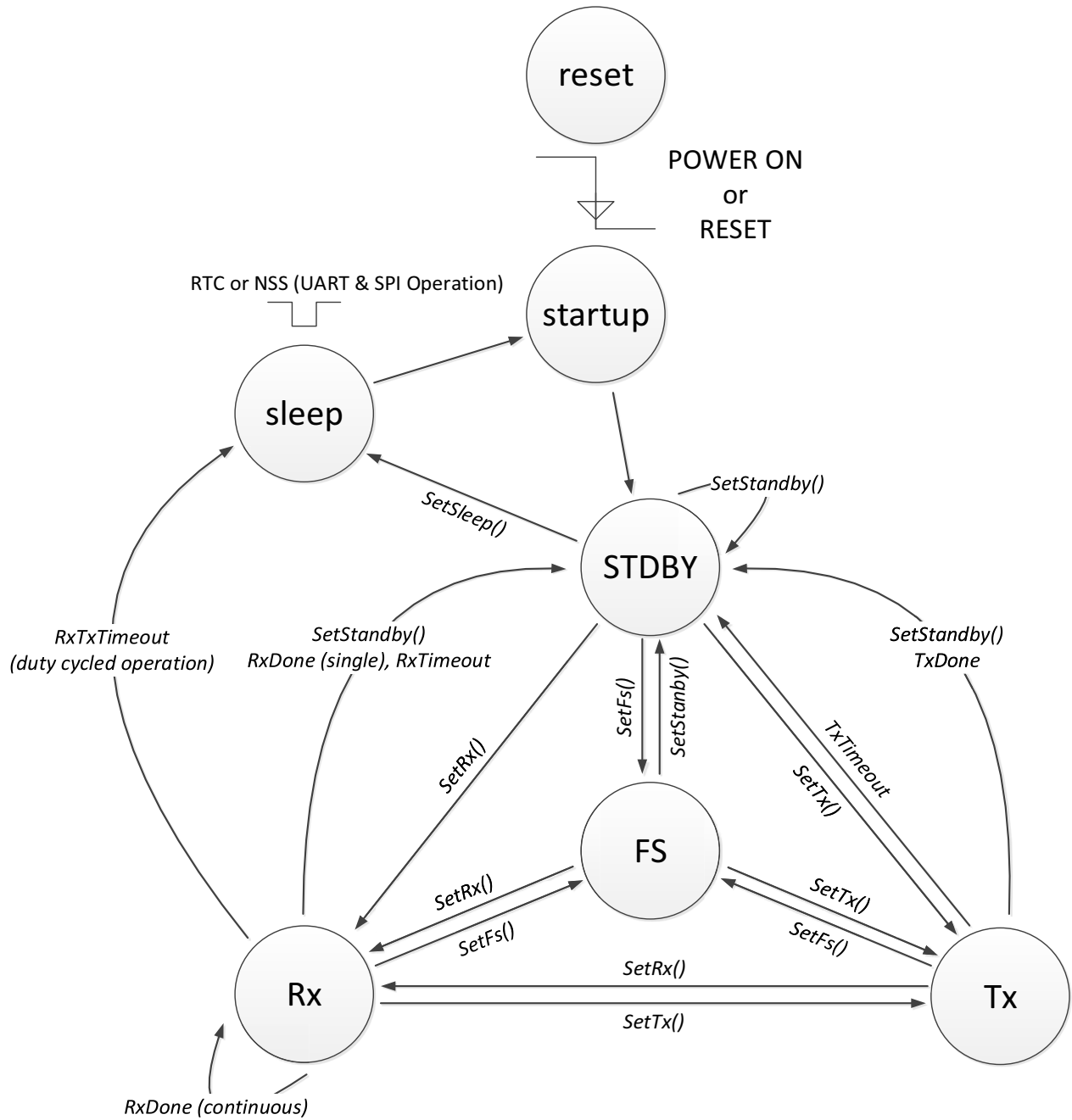


Figure 10-1: Transceiver Circuit Modes

10.8 Active Mode Switching Time

At each transaction with the transceiver (API command, register read/write operation or mode switching) the BUSY pin is set to high during the transaction and while the transceiver is processing the command (API command and mode switching only). There is a brief 217 ns delay between the falling edge of NSS and the rising edge of BUSY. The BUSY pin is set back to zero once the transceiver is ready for new commands or has reached a stable mode. In the following figure, the switching time is defined as the time between the rising edge of the NSS ending the SPI transaction and the falling edge of BUSY.

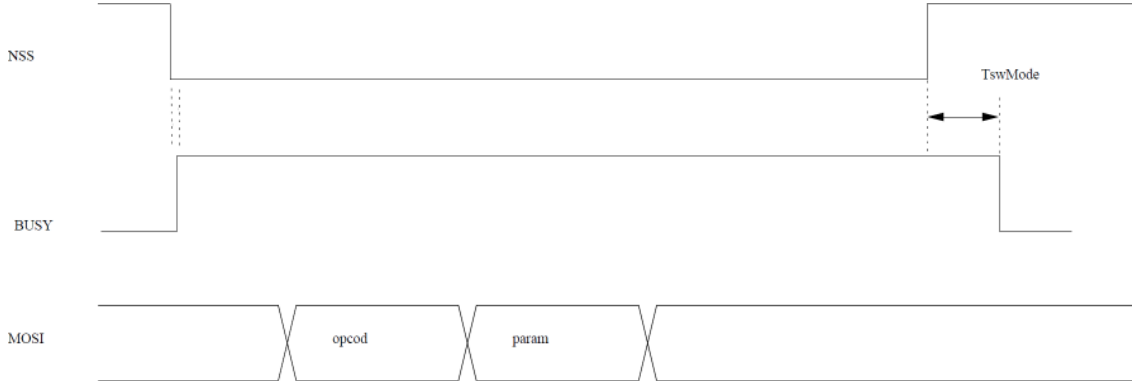


Figure 10-2: Switching Time Definition in Active Mode

Table 10-2: Switching Time (TswMode) for all Possible Transitions

Transition	TswMode Typical Value [μ s]	
SLEEP to STDBY_RC	1200	no data retention
SLEEP to STDBY_RC	130	with data retention
STDBY_RC to STDBY_XOSC	40	
STDBY_RC to FS	55	
STDBY_RC to Rx	85	
STDBY_RC to Tx	80	
STDBY_XOSC to FS	54	
STDBY_XOSC to Tx	54	
STDBY_XOSC to Rx	68	
FS to Rx	34	
FS to Tx	27	
Rx to FS	13	
Rx to Tx	39	
Tx to FS	31	
Tx to Rx	60	

In FS, BUSY pin will go low when the PLL is locked. In Rx, BUSY pin will go low as soon as the Rx is up and ready to receive data. In Tx, BUSY pin will go low when the PA has ramp-up and transmission of preamble starts.

11. Host Controller Interface

Through [SPI](#) or [UART](#) interface, the host can issue commands to the transceiver or access the data memory space to directly retrieve or write data. In normal operation a reduced number of direct data write operations is required except for data buffer. The user interacts with the transceiver through an [API](#) (instruction set).

The transceiver uses a BUSY pin to indicate the status of the transceiver and its ability to receive a command while it is completing its internal processing. Prior to the host transmitting a command, it is thus necessary to check the status of the BUSY pin to ensure that the transceiver is in a state to process it.

Two types of transactions are supported:

- Configuration transaction: provides to the host a direct register access i.e. it is used for writing or reading the transceiver configuration registers or the data buffer.
- Command transaction: allows simple access to complex operations such as packet transmission / reception or mode switching.

11.1 Command Structure

In the case of a command that does not pass any parameters, the host sends only the opcode (1 byte) on both SPI and UART interface.

In the case of a command that requires parameters:

- For SPI transfer the opcode byte is followed immediately by the parameter bytes with NSS rising edge terminating the command.

Table 11-1: SPI interface Command Sequence

Byte	0	[1:n]
Data from host	opcode	parameters
Data to host	status	status

- For UART transfer the opcode byte is followed by the length byte (i.e. the number of parameter bytes) then by the parameter bytes.

Table 11-2: UART Interface Command Sequence

Byte	0	1	[2:n]
Data from host	opcode	length	parameters

- For UART buffer write operation, after having sent the [LSB](#) of the address, the host must send a byte defining the number of data bytes that will be transmitted. That number of data bytes must then be transmitted.

- For UART buffer read operation, after having sent the **LSB** of the address, the host must send a byte defining the number of data bytes that will be received. The transceiver will then transmit that number of bytes to the host.
- For UART direct configuration register access, after having sent the opcode and the address, the UART has to send the number of bytes to be read/written.

11.2 SetUartSpeed Command

Once communication has been initiated by UART at 115.2 kbps, the SetUartSpeed command can be used to modify the connection data rate. This is expressed as the ratio of a divider ratio and the digital clock speed:

$$\text{UartDividerRatio} = (\text{Baud Rate} * 2^{20}) / \text{fClk}$$

where Baud Rate is the desired communication rate, from the list of valid data rates and UartDividerRatio is the divider ratio needed to configure that UART baud rate for the radio. Once configured, all ensuing communication will be at the new rate.

Table 11-3: SetUartSpeed Data Transfer (UART only)

Byte	0	1	2-3
Data from host	Opcode = 0x9D	Size = 0x02	UartDividerRatio

Table 11-4: Divider Ratios to Configure the UART Interface Speed

Baud Rate	UartDividerRatio [decimal]	UartDividerRatio [hexadecimal]
2400	194	C2
4800	387	183
9600	774	306
14400	1161	489
19200	1549	60D
38400	3097	C19
57600	4646	1226
115200	9292	244C
460600	37152	9120
812490	65535	FFFF

11.3 GetStatus Command

The host can retrieve the transceiver status directly through the *GetStatus()* command: this command can be issued at any time as long as it is not the very first command send over the interface. For the SPI interface, the device returns the status on the same transaction; in the case of a UART frame, the status is returned by a write transaction following the command.

When using the SPI interface, the *GetStatus()* command is not strictly necessary since the device returns status information also on command bytes. The status byte returned is described in the following table:

Table 11-5: Status Byte Definition

7:5	4:2	1	0
Circuit mode	Command status	Reserved	Reserved
0x0: Reserved	0x0: Reserved		
0x1: Reserved	0x1: Transceiver has successfully processed the command ¹		
0x2: STDBY_RC	0x2: Data are available to host ²		
0x3: STDBY_XOSC	0x3: Command time-out ³	-	-
0x4: FS	0x4: Command processing error ⁴		
0x5: Rx	0x5: Failure to execute command ⁵		
0x6: Tx	0x6: Command Tx done ⁶		

1. The command has been terminated correctly
2. A packet has been successfully received and data can be retrieved
3. A transaction from the host took too long to complete and triggered an internal watchdog. The watchdog mechanism can be disabled by the host, it is meant to prevent a dead-lock situation. In this case host should resend the command.
4. The transceiver was unable to process command either because of an invalid opcode or because an incorrect number of parameters has been provided.
5. The command was successfully processed, however the transceiver could not execute the command; for instance it was unable to enter the specified device mode or send the requested data,
6. The transmission of the current packet has terminated

The SPI transaction for *GetStatus()* command is given in [Table 11-6](#), and the UART transaction on [Table 11-7](#).

Table 11-6: GetStatus Data Transfer (SPI)

Byte	0
Data from host	Opcode = 0xC0
Data to host	status

Example of an SPI command binary pattern to get the status of the transceiver: 0xC0

Table 11-7: GetStatus Data Transfer (UART)

Byte	0	1
Data from host	Opcode = 0xC0	-
Data to host	-	status

11.4 Register Access Operations

11.4.1 WriteRegister Command

The command *WriteRegister()* writes a block of bytes in a data memory space starting at a specific address. The address is auto incremented after each data byte so that data is stored in contiguous memory locations. The SPI data transfer is described on [Table 11-8](#) and UART data transfer is described on [Table 11-9](#).

Table 11-8: WriteRegister Data Transfer (SPI)

Byte	0	1	2	3	4	...	n+3
Data from host	Opcode = 0x18	address[15:8]	address[7:0]	data@address	data@address+1	...	data@address+n
Data to host	status	status	status	status	status	...	status
Example ¹	0x18	0x08	0x01	0xA1	0x62	...	0x7E

1. Example SPI command binary pattern to write the n-2 bytes of data [0xA1, 0x62, ... 0x7E] from register address 0x0801

Table 11-9: WriteRegister Data Transfer (UART)

Byte	0	1	2	3	4	5	...	n+4
Host UART Tx	Opcode = 0x18	address[15:8]	address[7:0]	length = (n)	data@address	data@address+1	...	data@address+n

11.4.2 ReadRegister Command

The command *ReadRegister()* reads a block of data starting at a given address. The address is auto incremented after each byte. The SPI data transfer is described in [Table 11-10](#), and the UART data transfer in [Table 11-11](#). In UART case, the number of data to be read is provided by length parameter.

Note:

When using SPI, the host has to send a NOP after sending the 2 bytes of address to start receiving data bytes on the next NOP sent.

Table 11-10: ReadRegister Data Transfer (SPI)

Byte	0	1	2	3	4	5	...	n+4
Data from host	Opcode = 0x19	address[15:8]	address[7:0]	NOP	NOP	NOP	...	NOP
Data to host	status	status	status	status	data@address	data@address+1	...	data@address+n
Example ¹	0x19	0x08	0x01	0x00	0x00	0x00	-	0x00

1. Example SPI command binary pattern to read the n-3 registers from 0x0801

Table 11-11: ReadRegister Data Transfer (UART)

Byte	0	1	2	3	4	5	...	n+4
Host UART Tx	Opcode = 0x19	address[15:8]	address[7:0]	length	---	---	...	---
Chip UART Tx	---	---	---	---	data@address	data@address+1	...	data@address+n

11.5 Data Buffer Operations

11.5.1 WriteBuffer Command

This function is used to write the data payload to be transmitted. The address is auto-incremented, when the address exceeds 255 it wraps back to 0 due to the circular nature of data buffer. The address starts from the offset given as a parameter of the function. [Table 11-12](#) describes SPI data transfer, and [Table 11-13](#) describes UART data transfer.

Table 11-12: WriteBuffer SPI Data Transfer

Byte	0	1	2	3	...	n+2
Data from host	Opcode = 0x1A	offset	data@offset	data@offset+1	...	data@offset+n
Data to host	status	status	status	status	...	status
Example ¹	0x1A	0x20	0x2C	0xF5	-	0x82

1. Example SPI command binary pattern to write the (n-2)-bytes payload [0x2C, 0xF5, 0x82] in the buffer at offset 0x20

Table 11-13: WriteBuffer UART Data Transfer

Byte	0	1	2	3	4	...	n+3
Host UART Tx	Opcode = 0x1A	offset	length = n	data@address	data@address+1	...	data@address+n
Chip UART Tx	---	----	---	---	----	---	---

11.5.2 ReadBuffer

This function allows reading (n-3) bytes of payload received starting at offset.

Table 11-14: ReadBuffer SPI Data Transfer

Byte	0	1	2	3	4	...	n+3
Data from host	Opcode = 0x1B	offset	NOP	NOP	NOP	...	NOP
Data to host	status	status	status	data@offset	data@offset+1	...	data@offset+n
Example ¹	0x1B	0x20	0x00	0x00	0x00	-	0x00

1. Example SPI command binary pattern to read the (n-3)-bytes payload in the buffer at offset 0x20

Table 11-15: ReadBuffer UART Data Transfer

Byte	0	1	2	3	4	...	n+3
Host UART Tx	opcode = 0x1B	offset	length	---	----	...	NOP
Device UART Tx	---	----	---	data@offset	data@offset+1	...	data@offset+n

11.6 Radio Operation Modes

This chapter describes the command set available for the transceiver. The transaction is given for SPI only but the same commands are available when using UART.

11.6.1 SetSleep

The *SetSleep()* command is used to set the transceiver to Sleep mode with the lowest current consumption possible. After rising edge of NSS, all blocks are switched OFF except backup regulator if needed and the blocks specified in *sleepConfig* parameter.

Table 11-16: SetSleep SPI Data Transfer

Byte	0	1
Data from host	Opcode = 0x84	sleepConfig
Example ¹	0x84	0x01

1. Example SPI command binary pattern to activate sleep mode with only data RAM retention

The *sleepConfig* argument is defined as:

Table 11-17: Sleep Mode Definition

sleepConfig[7:4]	sleepConfig[1]	sleepConfig[0]
Unused	1: Data buffer in retention mode	0: Data RAM is flushed during Sleep Mode
		1: Data RAM in retention mode

The transceiver will wake from SLEEP mode to STDBY_RC upon the detection of a rising edge on the NSS.

When placing the transceiver in SLEEP mode there are two main levels of memory retention possible:

If sleepConfig[0] is set, then a subset of the SX1280 configuration will be saved to volatile memory. It is important to note that not all instructions will be retained. The parameters that are stored are:

SetPacketType()

SetModulationParams()

SetPacketParams()

SetRfFrequency()

SetDioIrqParams()

SetCadParams()

(Please consult Section 13 for the use of these functions). In addition to storing some of the configuration information, the principal benefit of the retention is the storage of internal, device specific calibration values. This allows an order of magnitude improvement in typical SLEEP to STDBY_RC mode transition times (see Section 10.8). Data RAM retention is particularly suited to applications that require fast transition into RECEIVE mode from SLEEP.

If `sleepConfig[1]` is set, then the contents of the data buffer is stored during SLEEP mode.

11.6.2 SetStandby

The command `SetStandby()` is used to set the device in either STDBY_RC or STDBY_XOSC mode which are intermediate levels of power consumption. In this Standby mode, the transceiver may be configured for future RF operations.

After power on or application of a reset, NSS or RTC wake-up the transceiver will enter in STDBY_RC mode running with a 13 MHz RC clock.

Table 11-18: SetStandby SPI Data Transfer

Byte	0	1
Data from host	Opcode = 0x80	StandbyConfig
Example ¹	0x80	0x00

1. Example SPI command binary pattern to activate standby mode running on RC 13 MHz

Table 11-19: SetStandby UART Data Transfer

Byte	0	1	2
Data from host	Opcode = 0x80	0x01	StandbyConfig

The `StandbyConfig` byte definition is given in next table:

Table 11-20: StandbyConfig Definition

StandbyConfig	Value	Description
STDBY_RC	0	Device running on RC 13MHz, set STDBY_RC mode
STDBY_XOSC	1	Device running on XTAL 52MHz, set STDBY_XOSC mode

11.6.3 SetFs

Command `SetFs()` is used to set the device in Frequency Synthesizer mode where the PLL is locked to the carrier frequency. This mode is used for test purposes of the PLL and can be considered as an intermediate mode when going from STDBY_RC

mode to Tx mode or to Rx mode. Data transfer for this command is the same for SPI and UART. In normal operation of the transceiver, the user does not normally need to use FS mode.

Table 11-21: SetFs Data Transfer

Byte	0
Data from host	Opcode = 0xC1
Example ¹	0xC1

1. Example SPI command binary pattern to activate Frequency Synthesis mode

11.6.4 SetTx

The command *SetTx()* sets the device in Transmit mode. Clear IRQ status before using this command see [Section 11.9.3 "ClearIrqStatus" on page 97](#).

Table 11-22: SetTx SPI Data Transfer

Byte	0	1	2	3
Data from host	Opcode = 0x83	periodBase	periodBaseCount[15:8]	periodBaseCount[7:0]
Example ¹	0x83	0x00	0x00	0x00

1. Example SPI command binary pattern to activate Transmit mode with no timeout, stopping Tx mode after first packet sent (aka Single Mode Tx)

Table 11-23: SetTx UART Data Transfer

Byte	0	1	2	3	4
Data from host	Opcode = 0x83	0x03	periodBase	periodBaseCount[15:8]	periodBaseCount[7:0]

Starting from STDBY_RC mode the oscillator is switched ON followed by the PLL, then the PA (Power Amplifier) is switched ON and the PA regulator starts ramping according to the ramp-up time defined by *SetTxParam()* command. Once the ramp-up is complete the packet handling starts the packet transmission. Once the last bit of the packet has been sent, the PA regulator is ramped down, the PA is switched OFF, the transceiver goes back to STDBY_RC mode and an IRQ TxDone is generated. A TIMEOUT IRQ is generated if the transmission takes longer than programmed timeout value. The transceiver goes back to STDBY_RC mode after a TIMEOUT IRQ or a TxDone IRQ.

The time-out duration is given by the formula:

$$\text{Time-out duration} = \text{periodBase} * \text{periodBaseCount}$$

Where *periodBase* is the step of the RTC defined in the next table.

Table 11-24: SetTx Time-out Definition.

periodBase	Time-out step
0x00	15.625 μs
0x01	62.5 μs

Table 11-24: SetTx Time-out Definition.

periodBase	Time-out step
0x02	1 ms
0x03	4 ms

periodBaseCount is a 16-bit parameter defining the number of steps used during time-out as defined in the following table:

Table 11-25: SetTx Time-out Duration

periodBaseCount[15:0]	Time-out duration
0x0000	No time-out, Tx Single mode, the device will stay in Tx Mode until the packet is transmitted and returns in STDBY_RC mode upon completion.
Others	Time-out active, the device remains in Tx mode, it returns automatically to STDBY_RC mode on timer end-of-count or when a packet has been transmitted.

11.6.5 SetRx

The command *SetRx()* sets the device in Receiver mode.

The IRQ status should be cleared prior to using this command, see [Section 11.9.3 "ClearIrqStatus" on page 97](#).

Table 11-26: SetRx SPI Data Transfer

Byte	0	1	2	3
Data from host	Opcode = 0x82	periodBase	periodBaseCount[15:8]	periodBaseCount[7:0]
Example ¹	0x82	0x03	0x00	0xFA

1. Example SPI command binary pattern to activate Receive mode with timeout after 1 second, with periodBase of 4 ms and a periodCount of 250, i.e. 0x00FA

Table 11-27: SetRx UART Data Transfer

Byte	0	1	2	3	4
Data from host	Opcode = 0x82	0x03	periodBase	periodBaseCount[15:8]	periodBaseCount[7:0]

This command sets the transceiver in Rx mode, waiting for the reception of one or several packets. The Receiver mode operates with a time-out to provide maximum flexibility to the end user. The parameters for time-out duration are:

$$\text{Time-out duration} = \text{periodBase} * \text{periodBaseCount}$$

Where *periodBase* is the step of the RTC as defined in [Table 11-24](#).

periodBaseCount is the number of steps used during time-out as defined in the following table:

Table 11-28: SetRx Time-out Duration

TickNum(15:0)	Time-out duration
0x0000	No time-out. Rx Single mode. The device will stay in Rx mode until a reception occurs and the devices return in STDBY_RC mode upon completion
0xFFFF	Rx Continuous mode. The device remains in Rx mode until the host sends a command to change the operation mode. The device can receive several packets. Each time a packet is received, a "packet received" indication is given to the host and the device will continue to search for a new packet.
Others	Time-out active. The device remains in Rx mode, it returns automatically to STDBY_RC mode on timer end-of-count or when a packet has been received. As soon as a packet is detected, the timer is automatically disabled to allow complete reception of the packet.

11.6.6 SetRxDutyCycle

This command sets the transceiver in sniff mode, so that it regularly looks for new packets (duty cycled operation).

Table 11-29: Duty Cycled Operation SPI Data Transfer

Byte	0	1	2	3	5	6
Data from host	Opcode= 0x94	PeriodBase	rxPeriodBase Count [15:8]	rxPeriodBase Count[7:0]	sleepPeriodBase Count [15:8]	sleepPeriodBase Count [7:0]
Example ¹	0x94	0x03	0x00	0xAF	0x00	0xFA

1. Example SPI command binary pattern to activate Receive Duty Cycle mode with 700 ms Rx window and 1 second sleep (with periodBase of 4 ms, rxPeriodBaseCount at 175 ie. 0x00AF, sleepPeriodBaseCount at 250 ie. 0x00FA)

Table 11-30: Duty Cycled Operation UART Data Transfer

Byte	0	1	2	3	4	6	7
Data from host	Opcode = 0x94	0x05	PeriodBase	rxPeriodBase Count [15:8]	rxPeriodBase Count[7:0]	sleepPeriodBase Count [15:8]	sleepPeriodBase Count [7:0]

Once this command is sent in STDBY_RC mode, the context (Rx configuration) is saved into the data RAM and the transceiver starts a loop defined by the following steps:

- Enter Rx and listen for a packet for a period of time defined by PeriodBase and rxPeriodBaseCount.
- The transceiver looks for a preamble and, if detected, the transceiver looks for a Sync Word and payload.
- If no packet is received during Rx window, the transceiver goes in Sleep mode (with context saved) for a period of time defined by PeriodBase and sleepPeriodBaseCount.
- At the end of the Sleep window, the transceiver leaves the Sleep mode, restores the context and enters the Rx mode then listens for a packet during Rx window. At any time, the host can stop the procedure. The loop is terminated if:

- A packet is detected during the Rx window, the transceiver interrupts the host via the RxDone flag and returns to STDBY_RC mode.
- The host issues a *SetStandby()* command during the Rx window (within Sleep the window device is unable to receive commands).

Note:

To use the RxDone interrupt, you have to enable the corresponding IRQ prior to enter Duty cycled operation. To enable the RxDone IRQ via the corresponding *SetDiolrqParams()* in Section 11.9.1 "SetDiolrqParams" on page 96.

The Sleep mode duration is defined by:

$$\text{Sleep Duration} = \text{PeriodBase} * \text{sleepPeriodBaseCount}$$

The Rx mode duration is defined by

$$\text{Rx Duration} = \text{PeriodBase} * \text{rxPeriodBaseCount}$$

where PeriodBase is defined as periodBase in Table 11-24.

rxPeriodBaseCount and sleepPeriodBaseCount are 16-bit parameters defining the number of steps used to define the Rx duration and Sleep durations. Some specific values for rxPeriodBaseCount are given in Table 11-31.

Table 11-31: Rx Duration Definition.

rxPeriodBaseCount[15:0]	Time-out duration
0x0000	The transceiver waits until a packet is found. Once found, the transceiver goes to STDBY_RC mode after sending an RxDone IRQ to the host.
Others	The device will stay in Rx Mode for Rx duration period and then return to Sleep Mode for Sleep duration.

Note:

The command *SetLongPreamble* must be issued prior to *SetRxDutyCycle*.

11.6.7 SetLongPreamble

The command (opcode 0x98) sets the transceiver into Long Preamble mode, and can only be used with either the LoRa® mode and GFSK mode. In this mode, the behavior of the commands *SetTx*, *SetRx* and *SetRxDutyCycle* is modified as:

- In GFSK only, the *SetTx* parameters defines the duration of the packet preamble. (The arguments do not define a timeout so no *TxTimeout* interrupt is generated in GFSK mode).
- In GFSK only with LongPreamble mode, the preamble detection mode is activated. The command *SetRx* can then generate an interrupt for Preamble detection.
- In GFSK and LoRa®, the behavior of *RxDutyCycle* is modified so that if a preamble is detected, the Rx window is extended by $\text{SleepPeriod} + 2 * \text{RxPeriod}$.

Table 11-32: SetLongPreamble Data Transfer

Byte	0	1
Data from host	Opcode = 0x9B	Enable
Example ¹	0x9B	0x01

1. Example SPI command binary pattern to activate Long Preamble mode

11.6.8 SetCAD

The command *SetCAD()* (Channel Activity Detection) can be used only in LoRa® packet type. The Channel Activity Detection is a LoRa® specific mode of operation where the device searches for a LoRa® signal. After search has completed, the device returns to STDBY_RC mode. The length of the search is configured via *SetCadParams()* command. At the end of search period the device always sends the CadDone IRQ. If a valid signal has been detected it also generates the CadDetected IRQ.

This mode of operation is especially useful in all the applications requiring Listen before Talk.

The UART data transfer and SPI data transfer are the same.

Table 11-33: SetCAD Data Transfer

Byte	0
Data from host	Opcode = 0xC5
Example ¹	0xC5

1. Example SPI command binary pattern to activate Channel Activity Detection mode

11.6.9 SetTxContinuousWave

The command *SetTxContinuousWave()* is a test command to generate a Continuous Wave (RF tone) at a selected frequency and output power. The device remains in Tx Continuous Wave until the host sends a mode configuration command. This command is available for all packet types. The UART data transfer and SPI data transfer are the same.

Table 11-34: SetTxContinuousWave Data Transfer

Byte	0
Data from host	Opcode = 0xD1
Example ¹	0xD1

1. Example SPI command binary pattern to activate Continuous Wave Transmit mode

11.6.10 SetTxContinuousPreamble

The command *SetTxContinuousPreamble()* is a test command to generate an infinite sequence of alternating '0's and '1's in GFSK modulation and symbol 0 in LoRa®. The device remains in transmit until the host sends a mode configuration command.

The UART data transfer and SPI data transfer are the same.

Table 11-35: SetTxContinuousPreamble Data Transfer

Byte	0
Data from host	Opcode = 0xD2
Example ¹	0xD2

1. Example SPI command binary pattern to activate Continuous Preamble Transmit mode

A summary is given below of the preamble functions available for each mode:

Modem	SetTxContinuousPreamble	SetLongPreamble	PacketParam Maximum Preamble Length
GFSK	Yes	Yes	32 bits
BLE	No ¹	No	32 bits
FLRC	No ²	No	32 bits
LoRa	Yes	Yes	65535 symbols

1. Long preamble can be synthesised using FSK mode configured at 1 Mbps, Modulation Index = 0.5 and BT = 0.5

2. Can be approximated in firmware using a buffer fill of 255 bytes of 0x55, understanding that the RF envelope will ramp up and down briefly at the beginning and end of each packet sequence.

11.6.11 SetAutoTx

BLE requires the transceiver to be able to send back a response 150 μ s after a packet reception. This is carried out by sending the command *SetAutoTx()* which allows the transceiver to send a packet at a user programmable time (time) after the end of a packet reception. *SetAutoTx()* must be issued in STDBY_RC mode. The data transfer of *SetAutoTx()* is described in Table 11-36.

Table 11-36: SetAutoTx SPI Data Transfer

Byte	0	1	2
Data from host	Opcode = 0x98	time[15:8]	time[7:0]
Example ¹	0x98	0x00	0x5C

1. Example SPI command binary pattern to activate automatic Transmit mode after 125 μ s (ie. 92 μ s after offset, 0x5C)

Table 11-37: SetAutoTx UART Data Transfer

Byte	0	1	2	3
Data from host	Opcode = 0x98	0x02	time[15:8]	time[7:0]

time is expressed in μs . The delay between the packet reception end and the next packet transmission start is defined by:

$$Tx_{Delay} = time + Offset$$

Here *Offset* is a time needed for the transceiver to switch modes and is equal to 33 μs . When this command is issued, each time the transceiver goes in Rx mode, once it has received a packet, it automatically switches to Tx and sends a packet in a predefined time *TxDelay*. To resume normal mode, e.g. going to STDBY_RC after reception, user must issue the command *SetAutoTx* with 0x00 as the time argument.

11.6.12 SetAutoFs

This feature modifies the chip behavior so that the state following a Rx or Tx operation is FS and not STDBY (see [Section 10.7 "Transceiver Circuit Modes Graphical Illustration" on page 69](#)). This feature is to be used to reduce the switching time between consecutive Rx and/or Tx operations (see [Table 10-2: Switching Time \(TswMode\) for all Possible Transitions](#)).

- To activate the AutoFs feature, use the command *SetAutoFs* with argument *enable*.
- To deactivate the AutoFs feature, use the command *SetAutoFs* with *disable*.

Table 11-38: SetAutoFs SPI Data Transfer

Byte	0	1
Data from host	Opcode = 0x9E	enable=0x01, disable=0x00
Example ¹	0x9E	0x01

1. Example SPI command binary pattern to activate automatic Frequency Synthesis mode after receive or transmit operation

Table 11-39: SetAutoFs UART Data Transfer

Byte	0	1	2
Data from host	Opcode = 0x9E	0x1	enable

11.7 Radio Configuration

11.7.1 SetPacketType

The command *SetPacketType()* sets the transceiver radio frame out of a choice of 5 different packet types. Despite some packet types using the same physical modem, they do not all share the same parameters.

Note:

The command *SetPacketType()* must be the first in a radio configuration sequence.

Table 11-40: SetPacketType SPI Data Transfer

Byte	0	1
Data from host	Opcode = 0x8A	packetType
Example ¹	0x8A	0x01

1. Example SPI command binary pattern to set packet type to LoRa®

Table 11-41: SetPacketType UART Data Transfer

Byte	0	1	2
Data from host	Opcode = 0x8A	0x01	packetType

The parameter for this command is defined in [Table 11-42](#).

Table 11-42: PacketType Definition

packetType	Value	Physical Modem	Modem mode of operation
PACKET_TYPE_GFSK	0x00 [default]	GFSK	GFSK mode
PACKET_TYPE_LORA	0x01	LoRa	LoRa® mode
PACKET_TYPE_RANGING	0x02	LoRa	Ranging Engine mode
PACKET_TYPE_FLRC	0x03	FLRC	FLRC mode
PACKET_TYPE_BLE	0x04	GFSK	BLE mode
Reserved	>=5	-	Reserved

Changing from one mode of operation to another is performed by sending the *SetPacketType()* command. The parameters from the previous mode are not kept internally. The transition must be performed in STDBY_RC mode.

11.7.2 GetPacketType

The command *GetPacketType()* returns the current operating packet type of the radio.

Table 11-43: GetPacketType SPI Data Transfer

Byte	0	1	2
Data from host	Opcode = 0x03	NOP	NOP
Data to host	status	status	packetType
Example ¹	0x03	0x00	0x00

1. Example SPI command binary pattern to get the current packet type

Table 11-44: GetPacketType UART Data Transfer

Byte	0	1	2
Data from host	Opcode = 0x03	0x01	-
Data to host	-	-	packetType

11.7.3 SetRfFrequency

The command *SetRfFrequency()* is used to set the frequency of the RF frequency mode.

Table 11-45: SetRfFrequency SPI Data Transfer

Byte	0	1	2	3
Data from host	Opcode = 0x86	rfFrequency[23:16]	rfFrequency[15:8]	rfFrequency[7:0]
Example ¹	0x86	0xB8	0x9D	0x89

1. Example SPI command binary pattern to set the RF frequency to 2.4 GHz (ie. 12098953 PLL steps, 0xB89D89)

Table 11-46: SetRfFrequency UART Data Transfer

Byte	0	1	2	3	4
Data from host	Opcode = 0x86	0x03	rfFrequency[23:16]	rfFrequency[15:8]	rfFrequency[7:0]

The **LSB** of rfFrequency is equal to the **PLL** step i.e. $52e6/2^{18}$ Hz, where 52e6 is the crystal frequency in Hz. *SetRfFrequency()* defines the Tx frequency. The Rx frequency is down-converted to the **IF**. The IF is set by default to 1.3 MHz. This configuration is handled internally by the transceiver, there is no need for the user to take this offset into account when configuring *SetRfFrequency*. This must be called after *SetPacket type*.

11.7.4 SetTxParams

This command sets the Tx output power using parameter power and the Tx ramp time using parameter rampTime. This command is available for all packetType.

Table 11-47: SetTxParams SPI Data Transfer

Byte	0	1	2
Data from host	Opcode = 0x8E	power	rampTime
Example ¹	0x8E	0x1F	0xE0

1. Example SPI command binary pattern to set the Transmit power to 13 dBm (ie. power 0x1F), with a ramping time of 20 us (ie. 0xE0)

Table 11-48: SetTxParams UART Data Transfer

Byte	0	1	2	3
Data from host	Opcode = 0x8E	0x02	power	rampTime

The output power (P_{out}) is defined by parameter power.

$$P_{out}[\text{dB}] = -18 + \text{power}$$

$P_{outMin} = -18$ dBm (power = 0)

$P_{outMax} = 13$ dBm (power = 31)

The desired power amplifier ramp time is defined using rampTime parameter according to [Table 11-49](#).

Table 11-49: RampTime Definition

rampTime	Value	Ramp time (μs)
RADIO_RAMP_02_US	0x00	2
RADIO_RAMP_04_US	0x20	4
RADIO_RAMP_06_US	0x40	6
RADIO_RAMP_08_US	0x60	8
RADIO_RAMP_10_US	0x80	10
RADIO_RAMP_12_US	0xA0	12
RADIO_RAMP_16_US	0xC0	16
RADIO_RAMP_20_US	0xE0	20

11.7.5 SetCadParams

The command *SetCadParams()* defines the number of symbols on which Channel Activity Detected (CAD) operates.

Table 11-50: CAD SPI Data Transfer

Byte	0	1
Data from host	Opcode = 0x88	cadSymbolNum
Example ¹	0x88	0x80

1. Example SPI command binary pattern to use 16 symbols during CAD operations

Table 11-51: CAD UART Data Transfer

Byte	0	1	2
Data from host	Opcode = 0x88	0x01	cadSymbolNum

The number of symbols to be used is defined in the following table.

Table 11-52: CadSymbolNum Definition

cadSymbolNum	Value	Number of symbols used for CAD
LORA_CAD_01_SYMBOL	0x00	1
LORA_CAD_02_SYMBOLS	0x20	2
LORA_CAD_04_SYMBOLS	0x40	4
LORA_CAD_08_SYMBOLS	0x60	8
LORA_CAD_16_SYMBOLS	0x80	16

Notice: for symbols 1 & 2, there are higher risks of false detection.

11.7.6 SetBufferBaseAddress

This command fixes the base address for the packet handing operation in Tx and Rx mode for all packet types.

Table 11-53: SetBufferBaseAddress SPI Data Transfer

Byte	0	1	2
Data from host	Opcode = 0x8F	txBaseAddress	rxBaseAddress
Example ¹	0x8F	0x80	0x00

1. Example SPI command binary pattern to set Tx buffer base address to 0x00 and Rx buffer base address to 0x80

Table 11-54: SetBufferBaseAddress UART Data Transfer

Byte	0	1	2	3
Data from host	Opcode = 0x8F	0x02	txBaseAddress	rxBaseAddress

11.7.7 SetModulationParams

The command *SetModulationParams()* is used to configure the modulation parameters of the radio. The parameters passed by this function will be interpreted depending on the frame type, which should have been set to the required type before calling this function.

Table 11-55: SetModulationParams SPI Data Transfer

Byte	0	1	2	3
Data from host	Opcode = 0x8B	param[0]	param[1]	param[2]
Example ¹	0x8B	0x70	0x0A	0x01

1. Example SPI command binary pattern to set LoRa® modulation with SF7, BW 1600, CR 4/5 if the radio was previously configured in LoRa® packet type

Table 11-56: SetModulationParams UART Data Transfer

Byte	0	1	2	3	4
Data from host	Opcode = 0x8B	0x03	param[0]	param[1]	param[2]

In GFSK, FLRC and BLE modems the bitrate and the bandwidth are defined by param[0] parameter as a pair of values, see Section Table 14-1: "Modulation Parameters in GFSK Mode" on page 104. The modulation index is used in conjunction with the bitrate to calculate the Frequency Deviation used for the transmission or reception. The modulation index is defined by param[1] parameter. The modulation shaping, BT, represents the Gaussian filter which can be used to filter the modulation stream at the transmitter side. BT is defined by param[2] parameter. The parameter's meaning depends on the chosen packet type and will be defined in the chapter dedicated to the selected packet type.

For the LoRa® packet type, SF corresponds to the Spreading Factor used for the LoRa® modulation. SF is defined by param[0] parameter. The BW corresponds to the bandwidth onto which the LoRa® signal is spread. BW in LoRa® is defined by param[1] parameter. The LoRa® payload features with a forward error correcting mechanism which has several levels of encoding. Coding Rate (CR) is defined by param[2] parameter in LoRa®.

The definition of *SetModulationParams()* parameters are summarized in the following table:

Table 11-57: SetModulationParams Parameters Definition

Parameter	BLE and GFSK	FLRC	LoRa® and Ranging Engine
modParam1	BitrateBandwidth	BitrateBandwidth	SpreadingFactor
modParam2	ModulationIndex	CodingRate	Bandwidth
modParam3	ModulationShaping	ModulationShaping	CodingRate

11.7.8 SetPacketParams

This command is used to set the parameters of the packet handling block.

Table 11-58: SetPacketParams SPI Data Transfer

Byte	0	1	2	3	4	5	6	7
Data from host	Opcode= 0x8C	SetPacketParam1	SetPacketParam2	SetPacketParam3	SetPacketParam4	SetPacketParam5	SetPacketParam6	SetPacketParam7
Example ¹	0x8C	0x0C	0x00	0x80	0x20	0x40	0x00	0x00

1. Example SPI command binary pattern to set LoRa® parameter with 16 preamble symbols (0x0C), explicit header(0x00), 128-byte payload (0x80), CRC enable (0x20) and standard IQ (0x40)

Table 11-59: SetPacketParams UART Data Transfer

Byte	0	1	2	3	4	5	6	7	8
Data from host	Opcode = 0x8C	0x07	SetPacketParam1	SetPacketParam2	SetPacketParam3	SetPacketParam4	SetPacketParam5	SetPacketParam6	SetPacketParam7

Interpretation by the transceiver of the packet parameters depends upon the chosen packet type. [Table 11-60](#) outlines the parameters according to the packet type.

Table 11-60: SetPacketParams Parameters Definition

Parameter	GFSK and FLRC	BLE	LoRa® and Ranging Engine
SetPacketParam1	PreambleLength	ConnectionState	PreambleLength
SetPacketParam2	SyncWordLength	CrcLength	HeaderType
SetPacketParam3	SyncWordMatch	BleTestPayload	PayloadLength
SetPacketParam4	HeaderType	Whitening	CRC
SetPacketParam5	PayloadLength	not used	InvertIQ/chirp invert
SetPacketParam6	CrcLength	not used	not used
SetPacketParam7	Whitening	not used	not used

The usage and definition of those parameters are described in the different packet type sections.

11.8 Communication Status Information

These commands return information about the transceiver status, received packet length, reception power and several flags indicating if the packet has been correctly received. The returned parameters are common to all frames except LoRa®.

11.8.1 GetRxBufferStatus

This command returns the length of the last received packet (`payloadLengthRx`) and the address of the first byte received (`rxBufferOffset`), it is applicable to all modems. The address is an offset relative to the first byte of the data buffer.

Table 11-61: GetRxBufferStatus SPI Data Transfer

Byte	0	1	2	3
Data from host	Opcode = 0x17	NOP	NOP	NOP
Data to host	status	status	rxPayloadLength	rxStartBufferPointer
Example ¹	0x17	0x00	0x00	0x00

1. Example SPI command binary pattern to get the length of last received packet and the Rx Start address pointer

Table 11-62: GetRxBufferStatus UART Data Transfer

Byte	0	1	2	3
Data from host	Opcode = 0x17	0x02	-	-
Data to host	-	-	rxPayloadLength	rxStartBufferPointer

Note:

In LoRa® packet type with fixed header (see [Section 7.4.3 "Implicit \(Fixed-length\) Header Mode" on page 50](#)) the *GetRxBufferStatus* always returns 0x00 for *rxPayloadLength*. Indeed, in this configuration, no header is present in the packet so the payload size cannot be extracted from it. However, it is possible to recover the payload size configured in the radio by direct register reading. Hence, reading register 0x901 will return the payload size. The data transfer for register reading is described in [Section 11.4.2 "ReadRegister Command" on page 75](#).

in BLE packet type, the payload length returned by *GetRxBufferStatus* is the payload size read in the PDU header (see [Section 7.2 "BLE Packet Format" on page 46](#)). Therefore, to read the whole content of the FIFO (PDU header and PDU payload) the user must add 2 to the payload size returned by *GetRxBufferStatus*. These two more bytes to read correspond to the length of the PDU header that is in the FIFO.

11.8.2 GetPacketStatus

Use this command to retrieve information about the last received packet. The returned parameters are frame-dependent. The value returned by *GetPacketStatus()* command is packet-type-dependent, and summarized in [Table 11-65](#).

Table 11-63: GetPacketStatus SPI Data Transfer

Byte	0	1	2	3	4	5	6
Data from host	Opcode = 0x1D	NOP	NOP	NOP	NOP	NOP	NOP
Data to host	status	status	packetStatus [7:0]	packetStatus [15:8]	packetStatus [23:16]	packetStatus [31:24]	packetStatus [39:32]
Example ¹	0x1D	0x00	0x00	0x00	0x00	0x00	0x00

1. Example SPI command binary pattern to get status flags of last received packet

Table 11-64: GetPacketStatus UART Data Transfer

Byte	0	1	2	3	4	5	6
Data from host	Opcode = 0x1D	0x05	-	-	-	-	-
Data to host	-	-	packetStatus [0:7]	packetStatus [8:15]	packetStatus [16:23]	packetStatus [24:31]	packetStatus [32:39]

In the case of LoRa® and/or Ranging Engine, there are only 2 bytes returned by the command.

Table 11-65: packetStatus Definition

Parameter	BLE, GFSK, FLRC	LoRa® and Ranging Engine
packetStatus[7:0]	RFU	rssSync
packetStatus[15:8]	rssSync	snr
packetStatus[16:23]	errors	-
packetStatus[24:31]	status	-
packetStatus[32:39]	sync	-

Note: snr is only available in LoRa® and Ranging Engine packet types.

Table 11-66: RSSI and SNR Packet Status

Value	Description
rssSync	RSSI value latched upon the detection of the sync address. Actual signal power is $-(\text{rssSync})/2$ (dBm)
snr	Estimation of SNR on last packet received. In two's complement format multiplied by 4. Actual SNR is $(\text{snr})/4$ (dB) If the SNR ≤ 0 , $\text{RSSI}_{\{\text{packet, real}\}} = \text{RSSI}_{\{\text{packet, measured}\}} - \text{SNR}_{\{\text{measured}\}}$

Table 11-67: Status Packet Status Byte

PStatus3	Symbol	Description
bit 7:6	reserved	reserved
bit 5	rxNoAck	NO_ACK field of the received packet. Only applicable in Rx for dynamic length packets.
bit 4:1	reserved	reserved
bit 0	pktSent	Indicates that the packet transmission is complete. Only applicable in Tx.

Table 11-68: Error Packet Status Byte

Error	Symbol	Description
bit 7	reserved	reserved
bit 6	SyncError	sync address detection status for the current packet Only applicable in Rx when sync address detection is enabled.
bit 5	LengthError	Asserted when the length of the received packet is greater than the Max length defined in the PAYLOAD_LENGTH parameter. Only applicable in Rx for dynamic length packets.
bit 4	CrcError	CRC check status of the current packet. The packet is available anyway in the FIFO. Only applicable in Rx when the CRC check is enabled
bit 3	AbortError	Abort status indicates if the current packet in Rx/Tx was aborted. Applicable both in Rx & Tx.
bit 2	headerReceived	Indicates if the header for the current packet was received. Only applicable in Rx for dynamic length packets
bit 1	packetReceived	Indicates that the packet reception is complete. Does not signify packet validity. Only applicable in Rx.
bit 0	packetCtrlBusy	Indicates that the packet controller is busy. Applicable both in Rx/Tx

Table 11-69: Sync Packet Status Byte

Sync	Symbol	Description
bit 7:3	reserved	reserved
bit 2:0	syncAdrsCode	Code of the sync address detected 000: sync address detection error 001: sync_adrs_1' detected 010: sync_adrs_2', detected 100: sync_adrs_3' detected

11.8.3 GetRssiInst

This command returns the instantaneous RSSI value during reception of the packet. The command is valid for all frames. In LoRa® operation, the instantaneous RSSI is updated at every symbol received.

Table 11-70: GetRssiInst SPI Data Transfer

Byte	0	1	2
Data from host	Opcode = 0x1F	NOP	NOP
Data to host	status	status	rssiInst
Example ¹	0x1F	0x00	0x00

1. Example SPI command binary pattern to perform an instantaneous RSSI measurement

Table 11-71: GetRssiInst UART Data Transfer

Byte	0	1	2
Data from host	Opcode = 0x1F	0x01	-
Data to host	-	-	rssiInst

Table 11-72: RssiInst Definition

Parameter	Description
rssiInst	Signal power is $(-rssiInst)/2$ (dBm)

11.9 IRQ Handling

In total there are 16 possible interrupt sources depending on the chosen frame and transceiver mode. Each of them can be enabled or masked. In addition, each of them can be mapped to DIO1, DIO2 or DIO3.

Table 11-73: IRQ Register

Bit	IRQ	Description	Packet
0	TxDone	Tx complete	GFSK/BLE/FLRC/LoRa®
1	RxDone	Rx complete	GFSK/BLE/FLRC/LoRa®
2	SyncWordValid	Sync. word valid	GFSK/BLE/FLRC
3	SyncWordError	Sync. word error	FLRC
4	HeaderValid	Header Valid	LoRa®/Ranging Engine
5	HeaderError	Header Error	LoRa®/Ranging Engine
6	CrcError	CRC error	GFSK/BLE/FLRC/LoRa®
7	RangingSlaveResponseDone	Ranging response complete (Slave)	Ranging Engine

Table 11-73: IRQ Register

Bit	IRQ	Description	Packet
8	RangingSlaveRequestDiscard	Ranging request discarded (Slave)	LoRa®/Ranging Engine
9	RangingMasterResultValid	Ranging result valid (Master)	Ranging Engine
10	RangingMasterTimeout	Ranging timeout (Master)	Ranging Engine
11	RangingSlaveRequestValid	Ranging Request valid (Slave)	Ranging Engine
12	CadDone	Channel activity check complete	LoRa®/Ranging Engine
13	CadDetected	Channel activity detected	LoRa®/Ranging Engine
14	RxTxTimeout	Rx or Tx timeout	All
15	PreambleDetected	Preamble Detected	LoRa, FSK and BLE (if <i>SetLongPreamble</i> is activated)
	Advanced Ranging Done	Advanced Ranging Completed	Ranging Engine

A dedicated 16-bit register called `IRQ_reg` is used to log **IRQ** sources. Each bit corresponds to one **IRQ** source as described in the table above. A set of user commands is used to configure **IRQ** mask, DIOs mapping and **IRQ** clearing as explained in the next paragraphs.

11.9.1 SetDioIrqParams

This command is used to enable IRQs and to route IRQs to **DIO** pins.

Table 11-74: IRQ Mask Definition SPI Data Transfer

Byte	0	1	2	3	4	5	6	7	8
Data from host	OpCode = 0x8D	irqMask [15:8]	irqMask [7:0]	dio1Mask [15:8]	dio1Mask [7:0]	dio2Mask [15:8]	dio2Mask [7:0]	dio3Mask [15:8]	dio3Mask [7:0]
Example ¹	0x8D	0x40	0x23	0x00	0x01	0x00	0x02	0x40	0x20

1. Example SPI command binary pattern to activate TxDone IRQ on DIO1, RxDone IRQ on DIO2 and HeaderError and RxTxTimeout IRQ on DIO3

Table 11-75: IRQ Mask Definition UART Data Transfer

Byte	0	1	2	3	4	5	6	7	8	9
Data from host	OpCode = 0x8D	0x08	irqMask [15:8]	irqMask [7:0]	dio1Mask [15:8]	dio1Mask [7:0]	dio2Mask [15:8]	dio2Mask [7:0]	dio3Mask [15:8]	dio3Mask [7:0]

An interrupt is flagged in **IRQ** register if the corresponding bit in flag register is set. As an example, TxDone can set bit 0 of **IRQ** register only if bit 0 of IrqMask is set to 1.

The interrupt causes a DIO to be set if the corresponding bit in dioXMask and the irqMask are set. As an example, if bit 0 of irqMask is set to 1 and bit 0 of dio1Mask is set to 1 then a rising edge of IRQ source TxDone will be logged in IRQ register and will appear at the same time on DIO1. One IRQ can be mapped to all DIOs, one DIO can be mapped to all IRQs (an OR operation is carried out) but some IRQ source will be available only on certain modes of operation and frame type.

11.9.2 GetIrqStatus

This command returns the value of the IRQ register.

Table 11-76: GetIrqStatus SPI Data Transfer

Byte	0	1	2	3
Data from host	Opcode = 0x15	NOP	NOP	NOP
Data to host	status	status	irqStatus[15:8]	irqStatus[7:0]
Example ¹	0x15	0x00	0x00	0x00

1. Example SPI command binary pattern to get the current IRQ flags

Table 11-77: GetIrqStatus UART Data Transfer

Byte	0	1	2	3
Data from host	Opcode = 0x15	0x02	-	-
Data to host	-	-	irqStatus[15:8]	irqStatus[7:0]

11.9.3 ClearIrqStatus

This command clears an IRQ flag in IRQ register.

Table 11-78: ClearIrqStatus SPI Data Transfer

Byte	0	1	2
Data from host	Opcode = 0x97	irqMask[15:8]	irqMask[7:0]
Example ¹	0x97	0xFF	0xFF

1. Example SPI command binary pattern to clear all IRQ flags

Table 11-79: ClearIrqStatus UART Data Transfer

Byte	0	1	2	3
Data from host	Opcode = 0x97	0x02	irqMask[15:8]	irqMask[7:0]

To clear an **IRQ** flag in IRQ register, the user should set to 1 the bit of irqMask corresponding to the IRQ flag to be cleared. As an example, if bit 0 of irqMask is set to 1 then the IRQ flag at bit 0 for IRQ register is cleared. If a **DIO** is mapped to a single **IRQ** source, the **DIO** is cleared if the corresponding bit in the IRQ register is cleared. If **DIO** is OR gated with several IRQ sources, then the DIO remains set to 1 until all bits mapped to the DIO in the IRQ register are cleared.

12. List of Commands

The next table gives the list of commands and the corresponding opcode.

Table 12-1: Transceiver Available Commands

Command	Opcode	Parameters	Return
GetStatus	0xC0	-	status
WriteRegister	0x18	address[15:8], address[7:0], data[0:n]	-
ReadRegister	0x19	address[15:8], address[7:0]	data[0:n-1]
WriteBuffer	0x1A	offset,data[0:n]	-
ReadBuffer	0x1B	offset	data[0:n-1]
SetSleep	0x84	sleepConfig	-
SetStandby	0x80	standbyConfig	-
SetFs	0xC1	-	-
SetTx	0x83	periodBase, periodBaseCount[15:8], periodBaseCount[7:0]	-
SetRx	0x82	periodBase, periodBaseCount[15:8], periodBaseCount[7:0]	-
SetRxDutyCycle	0x94	rxPeriodBase, rxPeriodBaseCount[15:8], rxPeriodBaseCount[7:0], sleepPeriodBase, sleepPeriodBaseCount[15:8], sleepPeriodBaseCount[7:0]	-
SetCad	0xC5	-	-
SetTxContinuousWave	0xD1	-	-
SetTxContinuousPreamble	0xD2	-	-
SetPacketType	0x8A	packetType	-
GetPacketType	0x03	-	packetType
SetRfFrequency	0x86	rfFrequency[23:16],rfFrequency[15:8], rfFrequency[7:0]	-
SetTxParams	0x8E	power, rampTime	-
SetCadParams	0x88	cadSymbolNum	-
SetBufferBaseAddress	0x8F	txBaseAddress, rxBaseAddress	-
SetModulationParams	0x8B	modParam1, modParam2, modParam3	-

Table 12-1: Transceiver Available Commands

Command	Opcode	Parameters	Return
SetPacketParams	0x8C	packetParam1, packetParam2, packetParam3, packetParam4, packetParam5, packetParam6, packetParam7	-
GetRxBufferStatus	0x17	-	payloadLength, rxBufferOffset
GetPacketStatus	0x1D	-	packetStatus[39:32], packetStatus[31:24], packetStatus[23:16], packetStatus[15:8], packetStatus[7:0]
GetRssiInst	0x1F	-	rssiInst
SetDioIrqParams	0x8D	irqMask[15:8], irqMask[7:0], dio1Mask[15:8], dio1Mask[7:0], dio2Mask[15:8], dio2Mask[7:0], dio3Mask[15:8], dio3Mask[7:0]	-
GetIrqStatus	0x15	-	irqStatus[15:8], irqStatus[7:0]
ClrIrqStatus	0x97	irqMask[15:8], irqMask[7:0]	-
SetRegulatorMode	0x96	regulatorMode	-
SetSaveContext	0xD5	-	-
SetAutoFS	0x9E	0x00: disable or 0x01: enable	-
SetAutoTx	0x98	time	-
SetLongPreamble	0x9B	enable	-
SetUartSpeed	0x9D	uartSpeed	-
SetRangingRole	0xA3	0x00=Slave or 0x01=Master	-
SetAdvancedRanging	0x9A	0x00: disable or 0x01: enable	-

13. Register Map

Table 13-1: List of Registers

Register Name	Address	Bit	r/w	Reset	Description
RxGain	0x891	0:7	rw	0x25	Register determining the LNA gain regime
Manual Gain Setting	0x895	0:7	rw	0x01	Manual Gain (See Section 4.2)
LNA Gain Value	0x89E	0:7	rw	0x0A	The LNA gain value (See Section 4.2)
LNA Gain Control	0x89F	0:7	rw	0x4D	Enable/Disable manual LNA gain control
Synch Peak Attenuation	0x8C2	5:3	rw	0x4	<p>dB Attenuation of the peak power during synch address.</p> <p>By default set to 0x4 and changed to 0x7 for a bit rate and bandwidth combination of 125 kbps and BW 250 kHz:</p> <p>000: 1 001: 4 010: 8 011: 16 100: 24 101: 32 110: 48 111: 64</p>
Payload Length	0x901	0:7	rw	-	The length of the received LoRa payload
LoRa Header Mode	0x903	7	rw	-	<p>Indicates the LoRa modem header mode</p> <p>0 = Header 1 = No header</p>
Ranging Request Address Byte 3	0x912	0:7	rw	0x00	Ranging Master: address of the Slave device to which request is sent.
Ranging Request Address Byte 2	0x913	0:7		0x00	
Ranging Request Address Byte 1	0x914	0:7		0x00	
Ranging Request Address Byte 0	0x915	0:7		0x19	
Ranging Device Address Byte 3	0x916	0:7	rw	0x00	Ranging Address when used in Slave and Advanced Ranging mode.
Ranging Device Address Byte 2	0x917	0:7		0x00	
Ranging Device Address Byte 1	0x918	0:7		0x00	
Ranging Device Address Byte 0	0x919	0:7		0x19	
Ranging Filter Window Size	0x91E	0:7	r	-	The number of ranging samples over which the RSSI evaluated and the results averaged.
Reset Ranging Filter	0x923	6	w	-	Clears the samples stored in the ranging filter.
Ranging Result MUX	0x924	4:5	rw	0x3	Ranging result configuration.
SF Additional Configuration	0x925	0:7	rw	-	SF range selection in LoRa mode

Table 13-1: List of Registers

Register Name	Address	Bit	r/w	Reset	Description
Ranging Calibration Byte 2	0x92B	0:7		0x00	
Ranging Calibration Byte 1	0x92C	0:7	rw	0x5F	The ranging calibration value
Ranging Calibration Byte 0	0x92D	0:7		0xD2	
Ranging ID Check Length	0x931	0:7	rw	0x03	The number of bytes of the Ranging Slave ID that are checked. 0: 8 bits 1: 16 bits 2: 24 bits 3: 32 bits
Frequency Error Correction	0x93C	0:2	rw	-	Crystal frequency error correction mode
LoRa Synch Word	0x944 0x955	0:7 0:7	rw	0x14 0x24	LoRa synch word value
FEI Byte 2	0x954	0:7		NA	
FEI Byte 1	0x955	0:7	ro	NA	LoRa Frequency error indicator (FEI) ¹
FEI Byte 0	0x956	0:7		NA	
Ranging Result Byte 2	0x961	0:7		NA	
Ranging Result Byte 1	0x962	0:7	ro	NA	The result of the last ranging exchange.
Ranging Result Byte 0	0x963	0:7		NA	
Ranging RSSI	0x964	0:7	rw	NA	The RSSI value of the last ranging exchange
Freeze Ranging Result	0x97F	1	rw	-	Set to preserve the ranging result for reading
Packet Preamble Settings	0x9C1	4:6	rw	0x00	Preamble length in GFSK and BLE: 000: 4 bits 001: 8 (default) 010: 12 011: 16 100: 20 101: 24 110: 28 111: 32
Whitening initial value	0x9C5	0:7	rw	0x01	Data whitening seed for GFSK and BLE modulation.
CRC Polynomial Definition MSB	0x9C6	0:7		0xFF	
CRC Polynomial Definition LSB	0x9C7	0:7	rw	0xFF	CRC Polynomial Definition for GFSK.
CRC Polynomial Seed Byte 2	0x9C7	0:7		0xFF	
CRC Polynomial Seed Byte 1	0x9C8	0:7	rw	0xFF	CRC Seed for BLE modulation.
CRC Polynomial Seed Byte 0	0x9C9	0:7		0xFF	
CRC MSB Initial Value	0x9C8	0:7		0xFF	
CRC LSB Initial Value	0x9C9	0:7	rw	0xFF	CRC Seed used for GFSK and FLRC modulation.

Table 13-1: List of Registers

Register Name	Address	Bit	r/w	Reset	Description
Sync Address Control	0x9CD	0:3	rw	0x80	The number of synch word bit errors tolerated in FLRC and GFSK modes
Sync Address 1 Byte 4	0x9CE	0:7		0x55	Sync Word 1 (Also used as the BLE Access Address)
Sync Address 1 Byte 3	0x9CF	0:7		0x55	
Sync Address 1 Byte 2	0x9D0	0:7	rw	0x55	
Sync Address 1 Byte 1	0x9D1	0:7		0x55	
Sync Address 1 Byte 0	0x9D2	0:7		0x55	
Sync Address 2 Byte 4	0x9D3	0:7		0x55	SyncWord 2
Sync Address 2 Byte 3	0x9D4	0:7		0x55	
Sync Address 2 Byte 2	0x9D5	0:7	rw	0x55	
Sync Address 2 Byte 1	0x9D6	0:7		0x55	
Sync Address 2 Byte 0	0x9D7	0:7		0x55	
Sync Address 3 Byte 4	0x9D8	0:7		0x55	SyncWord 3
Sync Address 3 Byte 3	0x9D9	0:7		0x55	
Sync Address 3 Byte 2	0x9DA	0:7	rw	0x55	
Sync Address 3 Byte 1	0x9DB	0:7		0x55	
Sync Address 3 Byte 0	0x9DC	0:7		0x55	

1. Note: LoRa FEI is reliable only for positive SNR.

14. Transceiver Operation

14.1 GFSK Operation

14.1.1 Common Transceiver Settings

After power up or hard reset the transceiver runs a brief calibration procedure then goes into STDBY_RC mode, indicated by a low state on the BUSY pin. From this state the steps (the order is important) needed to either send, or receive, a GFSK format FSK packet are indicated below:

1. If not in STDBY_RC mode, then go to this mode by sending the command:

SetStandby(STDBY_RC)

2. Define the GFSK packet by sending the command:

SetPacketType(PACKET_TYPE_GFSK)

3. Define the RF frequency by sending the command:

SetRfFrequency(rfFrequency)

The LSB of rfFrequency is equal to the PLL step i.e. $52e6/2^{18}$ Hz. *SetRfFrequency()* defines the transceiver frequency.

4. Indicate the addresses where the packet handler will read (txBaseAddress in Tx) or write (rxBaseAddress in Rx) the first byte of the data payload by sending the command:

SetBufferBaseAddress(txBaseAddress, rxBaseAddress)

Note:

txBaseAddress and rxBaseAddress are offset relative to the beginning of the data memory map.

5. Define the modulation parameters by sending command

SetModulationParams(modParam1, modParam2, modParam3)

The bitrate and bandwidth are configured via the modParam1 setting.

Table 14-1: Modulation Parameters in GFSK Mode

Parameter	Symbol	Value	Bitrate [Mb/s]	DSB Bandwidth [MHz]
modParam1	GFSK_BLE_BR_2_000_BW_2_4	0x04	2	2.4
modParam1	GFSK_BLE_BR_1_600_BW_2_4	0x28	1.6	2.4
modParam1	GFSK_BLE_BR_1_000_BW_2_4	0x4C	1	2.4
modParam1	GFSK_BLE_BR_1_000_BW_1_2	0x45	1	1.2
modParam1	GFSK_BLE_BR_0_800_BW_2_4	0x70	0.8	2.4

Table 14-1: Modulation Parameters in GFSK Mode

Parameter	Symbol	Value	Bitrate [Mb/s]	DSB Bandwidth [MHz]
modParam1	GFSK_BLE_BR_0_800_BW_1_2	0x69	0.8	1.2
modParam1	GFSK_BLE_BR_0_500_BW_1_2	0x8D	0.5	1.2
modParam1	GFSK_BLE_BR_0_500_BW_0_6	0x86	0.5	0.6
modParam1	GFSK_BLE_BR_0_400_BW_1_2	0xB1	0.4	1.2
modParam1	GFSK_BLE_BR_0_400_BW_0_6	0xAA	0.4	0.6
modParam1	GFSK_BLE_BR_0_250_BW_0_6	0xCE	0.25	0.6
modParam1	GFSK_BLE_BR_0_250_BW_0_3	0xC7	0.25	0.3
modParam1	GFSK_BLE_BR_0_125_BW_0_3	0xEF	0.125	0.3

Table 14-2: Modulation Index Parameters in GFSK Mode

Parameter	Symbol	Value	Modindex
modParam2	MOD_IND_0_35	0x00	0.35
modParam2	MOD_IND_0_5	0x01	0.5
modParam2	MOD_IND_0_75	0x02	0.75
modParam2	MOD_IND_1_00	0x03	1
modParam2	MOD_IND_1_25	0x04	1.25
modParam2	MOD_IND_1_50	0x05	1.5
modParam2	MOD_IND_1_75	0x06	1.75
modParam2	MOD_IND_2_00	0x07	2
modParam2	MOD_IND_2_25	0x08	2.25
modParam2	MOD_IND_2_50	0x09	2.5
modParam2	MOD_IND_2_75	0x0A	2.75
modParam2	MOD_IND_3_00	0x0B	3
modParam2	MOD_IND_3_25	0x0C	3.25
modParam2	MOD_IND_3_50	0x0D	3.5
modParam2	MOD_IND_3_75	0x0E	3.75
modParam2	MOD_IND_4_00	0x0F	4

Table 14-3: Modulation Shaping Parameters in GFSK Mode

Parameter	Symbol	Value	BT
modParam3	BT_OFF	0x00	No filtering
modParam3	BT_1_0	0x10	1
modParam3	BT_0_5	0x20	0.5

6. Define the packet settings to be used by sending the command:

SetPacketParams(param[0], param[1], param[2], param[3], param[4], param[5], param[6])

- packetParam1 = PreambleLength
- packetParam2 = defines the number of bytes used for Sync Word (SyncWordLength).
- packetParam3 = defines the number of correlators to be used by SyncWordMatch
- packetParam4 = HeaderType
- packetParam5 = PayloadLength
- packetParam6 = CrcLength
- packetParam7 = Whitening

Table 14-4: Preamble Length Definition in GFSK Packet

Parameter	Symbol	Value	Preamble length in bits
packetParam1	PREAMBLE_LENGTH_04_BITS	0x00	4
packetParam1	PREAMBLE_LENGTH_08_BITS	0x10	8
packetParam1	PREAMBLE_LENGTH_12_BITS	0x20	12
packetParam1	PREAMBLE_LENGTH_16_BITS	0x30	16
packetParam1	PREAMBLE_LENGTH_20_BITS	0x40	20
packetParam1	PREAMBLE_LENGTH_24_BITS	0x50	24
packetParam1	PREAMBLE_LENGTH_28_BITS	0x60	28
packetParam1	PREAMBLE_LENGTH_32_BITS	0x70	32

The minimum preamble length when AGC is used should be 8 bits for a bit rate of 1 Mb/s. For other bit rates, the minimum number of preamble bits must be at least 16 bits.

Table 14-5: Sync Word Length Definition in GFSK Packet

Parameter	Symbol	Value	Sync Word size in bytes
packetParam2	SYNC_WORD_LEN_1_B	0x00	1
packetParam2	SYNC_WORD_LEN_2_B	0x02	2
packetParam2	SYNC_WORD_LEN_3_B	0x04	3
packetParam2	SYNC_WORD_LEN_4_B	0x06	4
packetParam2	SYNC_WORD_LEN_5_B	0x08	5

In transmit mode, the transceiver can use any one of three synch words. In receive mode, the receiver exploits 3 correlators to seek any one of 3 synch words simultaneously. The behaviour of the synch word in each operating mode is described in the table below:

Table 14-6: Sync Word Combination in GFSK Packet

Parameter	Symbol	Value	Receive Mode	Transmit Mode
packetParam3	RADIO_SELECT_SYNCWORD_OFF	0x00	Disable Sync Word	No Synch Word
packetParam3	RADIO_SELECT_SYNCWORD_1	0x10	SyncWord1	SyncWord1
packetParam3	RADIO_SELECT_SYNCWORD_2	0x20	SyncWord2	SyncWord2
packetParam3	RADIO_SELECT_SYNCWORD_1_2	0x30	SyncWord1 or SyncWord2	SyncWord1
packetParam3	RADIO_SELECT_SYNCWORD_3	0x40	SyncWord3	SyncWord3
packetParam3	RADIO_SELECT_SYNCWORD_1_3	0x50	SyncWord1 or SyncWord3	SyncWord1
packetParam3	RADIO_SELECT_SYNCWORD_2_3	0x60	SyncWord2 or SyncWord3	SyncWord1
packetParam3	RADIO_SELECT_SYNCWORD_1_2_3	0x70	SyncWord1, SyncWord2 or SyncWord3	SyncWord1

Table 14-7: Packet Type Definition in GFSK Packet

Parameter	Symbol	Value	Packet Length mode
packetParam4	RADIO_PACKET_FIXED_LENGTH	0x00	FIXED LENGTH MODE
packetParam4	RADIO_PACKET_VARIABLE_LENGTH	0x20	VARIABLE LENGTH MODE

The payload length is defined by param[4] parameter. This parameter is used by the packet handler in Tx to send the exact number of bytes. In Rx variable length mode, the packet handler will filter-out all packets with size greater than Payloadlength.

Table 14-8: Payload Length Definition in GFSK Packet

Parameter	Symbol	Value	description
packetParam5	PAYLOAD_LENGTH	[0... 255]	Payload length in bytes

Using the GFSK packet, the CRC can be calculated on 1 or 2 bytes or ignored. This is defined using parameter param[5].

Table 14-9: CRC Definition in GFSK Packet

Parameter	Symbol	Value	CRC type
packetParam6	RADIO_CRC_OFF	0x00	No CRC
packetParam6	RADIO_CRC_1_BYTES	0x10	CRC field used 1 byte
packetParam6	RADIO_CRC_2_BYTES	0x20	CRC field uses 2 bytes

The whitening may be enabled in parameter param[6].

Table 14-10: Whitening Enabling in GFSK Packet

Parameter	Symbol	Value	Whitening mode
packetParam7	WHITENING_ENABLE	0x00	WHITENING ENABLE
packetParam7	WHITENING_DISABLE	0x08	WHITENING DISABLE

7. Define Sync Word value

Additionally the user should define the 40 bits of the synchronization word (SyncWord1, SyncWord2, SyncWord3). This is carried out by sending the *WriteRegister()* command, the next table gives the address for the Sync Word.

Table 14-11: Sync Word Definition in GFSK Packet

Sync Word	Bytes	Address
SyncWord1	SyncWord1(39:32)	0x09CE
	SyncWord1(31:24)	0x09CF
	SyncWord1(23:16)	0x09D0
	SyncWord1(15:8)	0x09D1
	SyncWord1(7:0)	0x09D2

Table 14-11: Sync Word Definition in GFSK Packet

Sync Word	Bytes	Address
SyncWord2	SyncWord2(39:32)	0x09D3
	SyncWord2(31:24)	0x09D4
	SyncWord2(23:16)	0x09D5
	SyncWord2(15:8)	0x09D6
	SyncWord2(7:0)	0x09D7
SyncWord3	SyncWord3(39:32)	0x09D8
	SyncWord3(31:24)	0x09D9
	SyncWord3(23:16)	0x09DA
	SyncWord3(15:8)	0x09DB
	SyncWord3(7:0)	0x09DC

A configurable number of bit-errors can be tolerated in the synch word. The desired number of bit errors permissible is written to Synch Address Control register 0x9CD.

The seed used for CRC needs also to be modified for certain applications. This is carried out by direct register access using the command *WriteReg()*.

Table 14-12: CRC Initialization Registers

Parameter	Bytes	Address
Crclnit	CRC init value MSB	0x9c8
	CRC init value MSB	0x9c9

The CRC polynomial can also be modified by direct register access using the command *WriteReg()*.

Table 14-13: CRC Polynomial Definition

Parameter	Bytes	Address	Description
CrcPolynomial	CRC polynomial MSB	0x9C6	Defines the LSB byte of the 16-bit CRC polynomial or Defines the 8-bit CRC polynomial For example to program the following polynomial $P_{16}(x) = x^{16} + x^{12} + x^5 + 1$
	CRC polynomial LSB	0x9C7	Initialize the <code>crc_polynomial(15:0) = 0x1021</code> To program the following polynomial $P_8(x) = x^8 + x^2 + x + 1$ Initialize the <code>crc_polynomial(7:0) = 0x07</code>

After completing this procedure the user must proceed to either [Section 14.1.2](#) for Tx or [Section 14.1.3](#) for Rx.

14.1.2 Tx Setting and Operations

1. Define output power and ramp time by sending the command (see Section 11.6.4):

SetTxParams(power,rampTime)

2. Send the payload to the data buffer by sending the command:

WriteBuffer(offset,*data)

where *data is a pointer to the payload and offset is the address at which the first byte of the payload will be located in the FIFO. The offset will correspond to txBaseAddress in normal operation.

3. Configure the DIOs and Interrupt sources (IRQs) by using command:

SetDioIrqParams(IrqMask,Dio1Mask,Dio2Mask,Dio3Mask)

In typical Tx operation select the following IRQ sources:

- TxDone IRQ to indicate the end of packet transmission. The transceiver will be return to STDBY_RC mode at the end of the packet.
- RxTxTimeout (optional) to prevent deadlock. The transceiver will return automatically to STDBY_RC mode if a timeout occurs.

4. Once configured, start transmission using command:

SetTx(periodBase, periodBaseCount[15:8], periodBaseCount[7:0])

If a timeout is desired, set the periodBaseCount to a non-zero value. This timeout can be used to avoid deadlock.

5. Wait for IRQ TxDone or RxTxTimeout. Once a packet has been sent, or a timeout has occurred, the transceiver goes automatically to STDBY_RC mode.
6. Optionally, check the packet status to make sure that the packet transmission has completed, by using the command:

GetPacketStatus()

In this case only parameter packetStatus[3] is useful.

Table 14-14: PacketStatus[3] in GFSK Packet

PacketStatus[3]	Symbol	Description
bit 7:1	Reserved	Reserved
bit 0	PktSent	Indicates that the packet transmission is complete. Only signifies the completion of transmit process and not the packet validity. Only applicable in Tx.

7. Clear TxDone or RxTxTimeout IRQ by sending the command:

ClrIrqStatus(irqMask[15:8], irqMask[7:0])

This command will reset the flag for which the corresponding bit position in irqMask is set to 1.

14.1.3 Rx Setting and Operations

1. Configure the DIOs and Interrupt sources (IRQs) by using command

SetDioIrqParams(irqMask, dio1Mask, dio2Mask, dio3Mask)

In typical GFSK Rx operation the user selects one or more of the following IRQ sources:

- RxDone to indicate a packet has been detected. This IRQ does not mean that the packet is valid (size or CRC correct). The user must check the packet status to ensure that the valid packet is received or has enabled the other IRQ sources (such as for CRC).
- SyncWordValid to indicate that a Sync Word has been detected.
- CrcError to indicate that the received packet has a CRC error
- RxTxTimeout to indicate that no packet has been detected in a given time frame defined by timeout parameter in the SetRx() command.

Map these IRQs to one or more DIOs as desired.

2. Set the transceiver in receiver mode to start reception using command:

SetRx(periodBase, periodBaseCount[15:8], periodBaseCount[7:0])

Depending on *periodBaseCount*, 3 possible Rx behaviours are possible:

- *periodBaseCount* = 0 : RX Single Mode. Time out is disabled; The device remains in RX mode and returns to single mode at Rx completion.
- *periodBaseCount* is set to 0xFFFF, Rx Continuous mode, the device remains in Rx mode until the host sends a command to change the operating mode such as STDBY_RC. The device can receive several packets. Each time a packet is received, RxDone IRQ is set and the device will continue listening for a new packet.
- *periodBaseCount* is set to another value, then Timeout is active. The device remains in Rx mode; it returns automatically to STDBY_RC Mode on timer end-of-count or when a packet has been received. As soon as a packet is detected, the timer is automatically disabled to allow complete reception of the packet.

In typical cases, use a timeout and wait for IRQs RxDone or RxTxTimeout.

If IRQs RxDone rises, the transceiver goes to STDBY_RC mode if single mode is used (timeout set to a value different from 0xFFFF). If Continuous mode is used (timeout set to 0xFFFF) the transceiver stays in Rx and continues to listen for a new packet.

3. Check the packet status to make sure that the packet has been received properly, by using the command:

GetPacketStatus()

The command returns the following parameters:

- *RssiSync*: RSSI value at the time the Sync Word has been detected. Actual signal power is $-RssiSync/2$ (dBm)
- *packetStatus2*: Gives information about the last packet received as described in the next table
- *packetStatus3*: Unused in Rx
- *packetStatus4*: Indicates which correlator has detected the Sync Word

Table 14-15: PacketStatus[2] in GFSK Packet

PacketStatus[2]	Symbol	Description
bit 7	Reserved	Reserved
bit 6	SyncError	Sync address detection status for the current packet Only applicable in Rx when multiple sync address detection is enabled (will be set if multiple valid synch words are detected)
bit 5	LengthError	Asserted when the length of the received packet is greater than the Max length defined in the PAYLOAD_LENGTH parameter. Only applicable in Rx for dynamic length packets.
bit 4	CrcError	CRC check status of the current packet. The packet is available anyway in the FIFO. Only applicable in Rx when the CRC check is enabled
bit 3	AbortError	Abort status indicates if the current packet in Rx/Tx was aborted by the user. Applicable in Rx & Tx.
bit 2	HeaderReceived	Indicates if the header for the current packet was received. Only applicable in Rx for dynamic length packets
bit 1	PacketReceived	Indicates that the packet reception is complete. Does not signify packet validity. Only applicable in Rx.
bit 0	PacketCtrlBusy	Indicates that the packet controller is busy. Applicable both in Rx/Tx

Table 14-16: PacketStatus[4] in GFSK Mode Packet

PacketStatus[4]	Symbol	Description	Value
bit 7:3	Reserved	Reserved	
bit 2:0	SyncAdrsCode	Code of the sync address detected	000: sync address detection error 001: sync_adrs_1' detected 010: sync_adrs_2', detected 100: sync_adrs_3' detected

4. Once all checks are complete, then clear the IRQs by sending the command:

ClrIrqStatus(irqMask)

This command will reset the flag for which the corresponding bit position in irqMask is set to 1.

Note:

A DIO can be mapped to several IRQ sources (ORed with IRQ sources). The DIO will go to zero once all corresponding IRQ flags have been set to zero.

5. Get packet length and start address of the received payload issuing the command:

GetRxbufferStatus()

This command returns the length of the last received packet (payloadLength) and the address of the first byte received (rxBufferOffset). It is applicable to all modems.

6. Read the data buffer using the command:

ReadBuffer(offset, payloadLength)

Where offset is equal to rxBufferOffset and the length of payload to receive is payloadLength.

14.2 BLE Operation

14.2.1 Common Transceiver Settings

After power up or hard reset the transceiver runs a calibration procedure and goes to STDBY_RC mode indicated by a low state on BUSY pin. From this state the steps are:

1. If not in STDBY_RC mode, then go to this mode by using command:

SetStandby(STDBY_RC)

2. Define BLE packet by sending command:

SetPacketType(PACKET_TYPE_BLE)

3. Define the RF frequency by sending command:

SetRfFrequency(rfFrequency)

The LSB of rfFrequency is equal to the PLL step i.e. 52 MHz / 2¹⁸. SetRfFrequency() defines the Tx frequency.

4. Indicate the addresses where the packet handler will read (txBaseAddress in Tx) or write (rxBaseAddress in Rx) the first byte of the data payload by sending the command:

SetBufferBaseAddress(txBaseAddress, rxBaseAddress)

5. Define the modulation parameter by sending command:

SetModulationParams(modParam1,modParam2,modParam3)

- param[0]: bit rate and bandwidth definition.
- param[1]: modulation index definition.
- param[2]: pulse shaping definition

In BLE case of different bit rates, modulation index and BT than the standard can be used with the packet.

The following settings should be used for BLE 4.2:

Table 14-17: Modulation Parameters in BLE and GFSK Mode

Parameter	Symbol	Value	BR [Mb/s]	BW [MHz DSB]
modParam1	BLE_BR_1_000_BW_1_2	0x45	1	1.2

For other values, see [Table 14-1: "Modulation Parameters in GFSK Mode"](#) on page 104.

Table 14-18: Modulation Parameters in BLE and GFSK Mode

Parameter	Symbol	Value	Modindex
modParam2	MOD_IND_0_5	0x01	0.5

For other values, see [Table 14-2: "Modulation Index Parameters in GFSK Mode"](#) on page 105.

Table 14-19: Modulation Parameters in BLE and GFSK Mode

Parameter	Symbol	Value	BT
modParam3	BT_0_5	0x20	0.5

For other values, see [Table 14-3: "Modulation Shaping Parameters in GFSK Mode"](#) on page 106.

6. Define the packet parameters to be used by sending the command:

SetPacketParams(packetParam[0],packetParam[1],packetParam[2],packetParam[3])

- packetParam1 = ConnectionState
- packetParam2 = CrcLength
- packetParam3 = BleTestPayload
- packetParam4 = Whitening

Note:

Although this command can accept up to 7 arguments, in BLE mode *SetPacketParams* can accept only 4. However the 3 remaining arguments must be set to 0 and sent to the radio. See [Table 11-60: "SetPacketParams Parameters Definition"](#) on page 91.

Table 14-20: Connection State Definition in BLE Packet

Parameter	Symbol	Value	Maximum Payload Size [bytes]	Bluetooth® Version
packetParam1	BLE_PAYLOAD_LENGTH_MAX_31_BYTES	0x00	31	Bluetooth® 4.1 and above
packetParam1	BLE_PAYLOAD_LENGTH_MAX_37_BYTES	0x20	37	Bluetooth® 4.1 and above
packetParam1	BLE_TX_TEST_MODE	0x40	63	Bluetooth® 4.1 and above
packetParam1	BLE_PAYLOAD_LENGTH_MAX_255_BYTES	0x80	255	Bluetooth® 4.2 and above

Table 14-21: CRC Definition in BLE Packet

Parameter	Symbol	Value	Packet Length Mode	Bluetooth® Compatibility
packetParam2	BLE_CRC_OFF	0x00	No CRC	No
packetParam2	BLE_CRC_3B	0x10	CRC field used 3bytes	Yes

Table 14-22: Tx Test Packet Payload in Test Mode for BLE Packet

Value should be written to packetParam3 to produce the corresponding output sequence:

Parameter	Symbol	Value	Payload Content
packetParam3	BLE_PRBS_9	0x00	Pseudo Random Binary Sequence based on 9th degree polynomial $P7(x) = x^9 + x^5 + 1$ PRBS9 sequence '1111111110000011110 1...!' (in transmission order shown)
packetParam3	BLE_EYELONG_1_0	0x04	Repeated '11110000' (in transmission order shown) sequence
packetParam3	BLE_EYESHORT_1_0	0x08	Repeated '10101010' (in transmission order shown) sequence
packetParam3	BLE_PRBS_15	0x0C	Pseudo Random Binary Sequence based on 15th degree polynomial $P15(x) = x^{15} + x^{14} + x^{13} + x^{12} + x^2 + x + 1$
packetParam3	BLE_ALL_1	0x10	Repeated '11111111' (in transmission order shown) sequence
packetParam3	BLE_ALL_0	0x14	Repeated '11111111' (in transmission order shown) sequence
packetParam3	BLE_EYELONG_0_1	0x18	Repeated '00001111' (in transmission order shown) sequence
packetParam3	BLE_EYESHORT_0_1	0x1C	Repeated '01010101' (in transmission order shown) sequence

Note:

PacketParam3 is ignored in case PacketParam1 is not BLE_TX_TEST_MODE.

Table 14-23: Whitening Enabling in BLE Packet

Parameter	Symbol	Value	Whitening Mode
packetParam4	BLE_WHITENING_ENABLE	0x00	WHITENING ENABLE
packetParam4	BLE_WHITENING_DISABLE	0x08	WHITENING DISABLE ¹

1. Whitening disable is for PacketParam1 as BLE_TX_TEST_MODE.

Note: for the value, refer to the BLE specification.

7. Define the Access Address value

In addition to these parameters, the user needs to define the 32-bit synchronization word SyncWord1. This is carried out by sending the *WriteRegister()* command, the next table gives the address for the Sync Word.

Table 14-24: Access Address Definition in BLE Packet

Access Address	Bytes	Address
Access Address 1	Access Address 1(31:24)	0x09CF
	Access Address 1(23:16)	0x09D0
	Access Address 1(15:8)	0x09D1
	Access Address 1(7:0)	0x09D2

The seed used for CRC needs also to be modified for certain applications. This is carried out by direct register access by sending the function *WriteRegister()*.

Table 14-25: CRC Initialization Registers

Parameter	Bytes	Address
Crclnit	CRC init value	0x9C7 (MSB)
		0x9C8
		0x9C9 (LSB)

14.2.2 Tx Setting and Operations

1. Define the BLE Access Address *accessAddress* by issuing *WriteRegister()* commands on the following registers:

Table 14-26: BLE Access Address Configuration for Tx

Register Address	Value
0x09CF	<i>accessAddress</i> (31:24)
0x09D0	<i>accessAddress</i> (23:16)
0x09D1	<i>accessAddress</i> (15:8)
0x09D2	<i>accessAddress</i> (7:0)

2. Define the output power and ramp time by sending the command:

SetTxParam(power,rampTime)

3. Contrarily to other modems, the payload to be written in BLE mode in the data buffer of the SX1280 chip must contain a BLE header. The BLE header to add at the beginning of the payload must correspond to the BLE mode selected at step 6 in [Section 14.2.1 "Common Transceiver Settings" on page 113](#) . See [Figure 7-5: PDU Header Format](#) for the header definition.

Send the payload to the data buffer by issuing the command:

WriteBuffer(offset,data)

where data is the payload containing the BLE header to be sent and offset is the address at which the first byte of the payload will be located in the FIFO.

- Configure the DIOs and Interrupt sources (IRQs) by using command:

SetDioIrqParams(irqMask, dio1Mask, dio2Mask, dio3Mask)

In typical Tx operation one can select one or several IRQ sources:

- TxDone IRQ to indicate the end of packet transmission. The transceiver will be in STDBY_RC mode.
- RxTxTimeout (optional) to make sure no deadlock can happen. The transceiver will return automatically to STDBY_RC mode if a timeout occurs.

- Once configured, set the transceiver in transmitter mode to start transmission using command:

SetTx(periodBase, periodBaseCount[15:8], periodBaseCount[7:0])

If a timeout is desired, set *periodBaseCount* to a value different from zero. This timeout can be used to avoid deadlock.

Wait for IRQ TxDone or RxTxTimeout

Once a packet has been sent or a timeout occurred, the transceiver goes automatically to STDBY_RC mode

- Optionally check the packet status to make sure that the packet has been sent properly by issuing the command:

GetPacketStatus()

In this case only parameter *packetStatus3* is useful.

Table 14-27: PacketStatus3 in BLE Packet

PacketStatus3	Symbol	Description
bit 7:1	reserved	Reserved
bit 0	PktSent	Indicates that the packet transmission is complete. Does not signify packet validity. Only applicable in Tx.

- Clear TxDone or RxTxTimeout IRQ by sending the command:

ClrIrqStatus(irqMask)

This command will reset the flag for which the corresponding bit position in *irqMask* is set to 1.

14.2.3 Rx Setting and Operations

- Configure the DIOs and Interrupt sources (IRQs) by using command:

SetDioIrqParams(irqMask, dio1Mask, dio2Mask, dio3Mask)

In typical BLE Rx operation one can select one or more of the following IRQ sources

- RxDone to indicate a packet has been detected. This IRQ does not mean that the packet is valid (size or CRC correct). The user must check the packet status to ensure that the valid packet is received.
- SyncWordValid to indicate that a Sync Word has been detected.
- CrcError to indicate that the received packet has a CRC error
- RxTxTimeout to indicate that no packet has been detected in a given time packet defined by the timeout parameter in the SetRx() command.

Map these IRQs to one DIO (DIO1 or DIO2 or DIO3).

2. Once configured, set the transceiver in receiver mode to start reception using command:

SetRx(periodBase, periodBaseCount[15:8], periodBaseCount[7:0])

Depending on *periodBaseCount*, 3 possible Rx behaviors are possible:

- *periodBaseCount* is set to 0, then no Timeout, Rx Single mode, the device will stay in Rx mode until a reception occurs and the devices return in STDBY_RC mode upon completion.
- *periodBaseCount* is set to 0xFFFF, Rx Continuous mode, the device remains in Rx mode until the host sends a command to change the operation mode. The device can receive several packets. Each time a packet is received, a packet received indication is given to the host and the device will continue to search for a new packet.
- *periodBaseCount* is set to another value, then Timeout is active. The transceiver remains in Rx mode; it returns automatically to STDBY_RC Mode on timer end-of-count or when a packet has been received. As soon as a packet is detected, the timer is automatically disabled to allow complete reception of the packet.

3. In typical cases, use a timeout and wait for IRQ RxDone or RxTxTimeout.

If IRQ RxDone is asserted, the transceiver goes to STDBY_RC mode if single mode is used (timeout set to a value different from 0xFFFF). If Continuous mode is used (timeout set to 0xFFFF) the transceiver stays in Rx and continues to listen for a new packet.

4. Check the packet status to make sure that the packet has been correctly received by using the command:

GetPacketStatus()

The command returns the following parameters:

- *RssiSync*: RSSI value at the time the Sync Word has been detected
- *packetStatus2*: Gives information about the last packet received as described in the next table

Table 14-28: PacketStatus2 in BLE Mode

PacketStatus2	Symbol	Description
bit 7	Reserved	Reserved
bit 6	SyncError	Sync address detection status for the current packet Only applicable in Rx when sync address detection is enabled.
bit 5	lengthError	Asserted when the length of the received packet is greater than the Max length defined in the PAYLOAD_LENGTH parameter. Only applicable in Rx for dynamic length packets.
bit 4	CrcError	CRC check status of the current packet. The packet is available anyway in the FIFO. Only applicable in Rx when the CRC is enabled
bit 3	AbortError	Abort status indicates if the current packet in Rx/Tx was aborted. Applicable both in Rx & Tx.
bit 2	HeaderReceived	Indicates if the header for the current packet was received. Only applicable in Rx for dynamic length packets
bit 1	PacketReceived	Indicates that the packet reception is complete. Does not signify packet validity. Only applicable in Rx.
bit 0	PacketCtrlBusy	Indicates that the packet controller is busy. Applicable both in Rx/Tx

- *packetStatus3*: In BLE packet, this status indicates in Tx mode if a packet has been sent or not

- *packetStatus4*: Indicates which correlator has detected the Sync Word. In case of BLE, only *sync_adrs_1* is used.

Table 14-29: PacketStatus4 in BLE Mode

PacketStatus4	Symbol	Description
bit 7:3	Reserved	Reserved
bit 2:0	SyncAdrsCode	Code of the sync address detected 0x0: sync address detection error 0x1: sync_adrs_1' detected others: reserved

- Once all checks are complete, clear IRQs by sending the command:

ClrIrqStatus(irqMask)

This command will reset the flag for which the corresponding bit position in *irqMask* is set to 1.

Note:

A DIO can be mapped to several IRQ sources (ORed with IRQ sources). The DIO will be set to zero once IRQ flag has been set to zero.

- Get packet length and start address of the received payload issuing the command:

GetRxbufferStatus()

This command returns the length of the last received packet (*payloadLength*) and the address of the first byte received (*rxBufferOffset*) It is applicable to all modems. The address is an offset relative to the first byte of the data buffer.

- Read the data buffer using the command:

ReadBuffer(offset, payloadLength)

Where offset is equal to *rxBufferOffset*.

14.2.4 BLE Specific Functions

14.2.4.1 SetAutoTx()

One additional command is available to ease the implementation of the BLE packet. BLE requires that the transceiver is able to send back a response 150 μ s after a packet reception. This is carried out by sending the command *SetAutoTx()* that allows the transceiver to send a packet a user programmable time (*time*) after the end of a packet reception.

SetAutoTx(time) must be issued in STDBY_RC mode.

Table 14-30: SetAutoTx Mode

Byte	0	1	2
Data from host	Opcode = 0x98	time(15:8)	time(7:0)

time is in μs . The delay between the end of reception of a packet and the start of the transmission of the next packet is defined by:

$$Tx_{Delay} = time - offset$$

Where *offset* is a time needed for the transceiver to switch modes and is equal to 33 μs .

Once this command is issued, each time the transceiver receives a packet, it will automatically switch to Tx and transmit a packet after a predefined time.

If the user wants to have normal operation (going in STDBY_RC after Tx), the user needs to send the command *SetAutoTx()* with the time parameter set to zero.

If the user wants to discard only the next automatic packet transmission, the user needs to send the command *SetStandby()* after the reception of a packet.

14.3 FLRC Operation

14.3.1 Common Transceiver Settings

After power up or hard reset the transceiver runs a calibration procedure and goes to STDBY_RC mode indicated by a low state on BUSY pin. From this state the steps are:

1. If not in STDBY_RC mode, then go to this mode by sending the command:

SetStandby(STDBY_RC)

2. Define the FLRC packet type by sending the command:

SetPacketType(PACKET_TYPE_FLRC)

3. Define the RF frequency by sending the command:

SetRfFrequency(rfFrequency)

The **LSB** of rfFrequency is equal to the **PLL** step i.e. $52e6/2^{18}$ Hz. *SetRfFrequency()* defines the Tx frequency.

4. Indicate the addresses where the packet handler will read (*txBaseAddress* in Tx) or write (*rxBaseAddress* in Rx) the first byte of the data payload by sending the command:

SetBufferBaseAddress(txBaseAddress, rxBaseAddress)

Note:

txBaseAddress and *rxBaseAddress* are offsets from the beginning of the data memory map.

5. Define the modulation parameter by sending command:

SetModulationParams(modParam1, modParam2, modParam3)

The bit rate and bandwidth are linked via param[0]. The coding rate used in error correction mechanism is defined in param[1] and the **BT** is defined in param[2].

Table 14-31: Modulation Parameters in FLRC Mode: Bandwidth and Bit Rate

Parameter	Symbol	Value	Bit Rate [Mb/s]	Bandwidth [MHz DSB]
modParam1	FLRC_BR_1_300_BW_1_2	0x45	1.3	1.2
modParam1	FLRC_BR_1_000_BW_1_2	0x69	1.04	1.2
modParam1	FLRC_BR_0_650_BW_0_6	0x86	0.65	0.6
modParam1	FLRC_BR_0_520_BW_0_6	0xAA	0.52	0.6
modParam1	FLRC_BR_0_325_BW_0_3	0xC7	0.325	0.3
modParam1	FLRC_BR_0_260_BW_0_3	0xEB	0.26	0.3

Table 14-32: Modulation Parameters in FLRC Mode: Coding Rate

Parameter	Symbol	Value	Coding rate
modParam2	FLRC_CR_1_2	0x00	1/2
modParam2	FLRC_CR_3_4	0x02	3/4
modParam2	FLRC_CR_1_1	0x04	1
modParam2	Reserved	Greater or equal to 3	Reserved

Table 14-33: Modulation Parameters in FLRC Mode: BT

Parameter	Symbol	Value	BT
modParam3	BT_DIS	0x00	No filtering
modParam3	BT_1	0x10	1
modParam3	BT_0_5	0x20	0.5

6. Define the packet format to be used by sending the command:

SetPacketParams(packetParam1, packetParam2, packetParam3, packetParam4, packetParam5, packetParam6, packetParam7)

- packetParam1 = AGCPreambleLength
- packetParam2 = SyncWordLength
- packetParam3 = SyncWordMatch
- packetParam4 = PacketType
- packetParam5 = PayloadLength
- packetParam6 = CrcLength
- packetParam7 = Whitening

Table 14-34: AGC Preamble Length Definition in FLRC Packet

Parameter	Symbol	Value	Preamble length in bits
packetParam1	PREAMBLE_LENGTH_4_BITS	0x00	Reserved
packetParam1	PREAMBLE_LENGTH_8_BITS	0x10	8
packetParam1	PREAMBLE_LENGTH_12_BITS	0x20	12
packetParam1	PREAMBLE_LENGTH_16_BITS	0x30	16
packetParam1	PREAMBLE_LENGTH_20_BITS	0x40	20

Table 14-34: AGC Preamble Length Definition in FLRC Packet

Parameter	Symbol	Value	Preamble length in bits
packetParam1	PREAMBLE_LENGTH_24_BITS	0x50	24
packetParam1	PREAMBLE_LENGTH_28_BITS	0x60	28
packetParam1	PREAMBLE_LENGTH_32_BITS	0x70	32

The minimum preamble length when AGC is used (see Section 4.2 for manual gain selection) is 8 bits for a bit rate of 1 Mb/s. For other bit rates, the minimum number of preamble bits is 16 bits.

The number of bytes used for Sync Word is defined by packetParam2. The user can rely on the built-in 21-bit preamble always required to detect start of packet or add 4 additional Sync Word for address detection in case of multiple devices.

Table 14-35: Sync Word Length Definition in FLRC Packet

Parameter	Symbol	Value	Sync Word size in bytes
packetParam2	FLRC_SYNC_NOSYNC	0x00	21 bits preamble
packetParam2	FLRC_SYNC_WORD_LEN_P32S	0x04	21 bits preamble + 32 bits Sync Word

A configurable number of bit-errors can be tolerated in the synch word. The desired number of bit errors permissible is written to Synch Address Control register 0x9CD: this is a direct binary mapping with 0 meaning no error is tolerated and 15 meaning up to 15 bit errors will be tolerated.

With 3 correlators, the transceiver can search for upto 3 Sync Words at the time. The combination of Sync Word detection is defined by parameters *PacketParam3*.

Table 14-36: Sync Word Combination in FLRC Packet

Parameter	Symbol	Value	Sync Word combination to use
packetParam3	RX_DISABLE_SYNC_WORD	0x00	Disable Sync Word
packetParam3	RX_MATCH_SYNC_WORD_1	0x10	SyncWord1
packetParam3	RX_MATCH_SYNC_WORD_2	0x20	SyncWord2
packetParam3	RX_MATCH_SYNC_WORD_1_2	0x30	SyncWord1 or SyncWord2
packetParam3	RX_MATCH_SYNC_WORD_3	0x40	SyncWord3
packetParam3	RX_MATCH_SYNC_WORD_1_3	0x50	SyncWord1 or SyncWord3

Table 14-36: Sync Word Combination in FLRC Packet

Parameter	Symbol	Value	Sync Word combination to use
packetParam3	RX_MATCH_SYNC_WORD_2_3	0x60	SyncWord2 or SyncWord3
packetParam3	RX_MATCH_SYNC_WORD_1_2_3	0x70	SyncWord1 or SyncWord2 or SyncWord3

The payload length is defined by packetParam4. In fixed length mode, this parameter is used by the packet handler in Tx to send the exact number of payload bytes. In Rx, in variable length mode, the packet handler will filter-out all packets with size greater than Payload length.

Note:

Minimum payload length is 6 bytes.

Table 14-37: Packet Type Definition in FLRC Packet

Parameter	Symbol	Value	Packet Length mode
packetParam4	PACKET_FIXED_LENGTH	0x00	FIXED LENGTH MODE
packetParam4	PACKET_VARIABLE_LENGTH	0x20	VARIABLE LENGTH MODE

Table 14-38: Payload Length Definition in FLRC Packet

Parameter	Symbol	Value	Description
packetParam5	PAYLOAD_LENGTH	[6 ... 127]	Payload length in bytes

In FLRC mode, the CRC can be calculated on 2, 3 or 4 bytes or ignored. This is defined using parameter *param[5]*.

Table 14-39: CRC Definition in FLRC Packet

Parameter	Symbol	Value	CRC type
packetParam6	CRC_OFF	0x00	No CRC
packetParam6	CRC_2_BYTE	0x10	CRC field uses 2 bytes
packetParam6	CRC_3_BYTE	0x20	CRC field uses 3bytes
packetParam6	CRC_4_BYTE	0x30	CRC field uses 4bytes

The seed used for CRC needs also to be modified for certain applications. This is carried out by direct register access by sending the function *WriteRegister()*.

Table 14-40: CRC Initialization Registers

Parameter	Bytes	Address
Crclnit	CRC init value MSB	0x9C8
	CRC init value LSB	0x9C9

The CRC polynomial of the FLRC modem is fixed and, depending upon the CRC length is given below:

CRC 16 bits: 0x755B

$$P16(x) = x^{16} + x^{14} + x^{13} + x^{12} + x^{10} + x^8 + x^6 + x^4 + x^3 + x + 1$$

CRC 24 bits: 0x5D6DCB

$$P24(x) = x^{24} + x^{22} + x^{20} + x^{19} + x^{18} + x^{16} + x^{14} + x^{13} + x^{11} + x^{10} + x^8 + x^7 + x^6 + x^3 + x + 1$$

CRC 32 bits: 0xF4ACFB13

$$P32(x) = x^{32} + x^{31} + x^{30} + x^{29} + x^{28} + x^{26} + x^{23} + x^{21} + x^{19} + x^{18} + x^{15} + x^{14} + x^{13} + x^{12} + x^{11} + x^9 + x^8 + x^4 + x^3 + x + 1$$

It is not possible to enable whitening when using the FLRC packet type. The value of packetParam7 must always be set to *disabled*.

Table 14-41: Whitening Definition in FLRC Packet

Parameter	Symbol	Value	Description
packetParam7	WHITENING	0x08	Whitening disabled

7. Define Sync Word value

In addition to these parameters, the user needs to define the synchronization word (*SyncWord1*, *SyncWord2*, *SyncWord3*). This is carried out by sending the *WriteRegister()* command. The table below gives the address for the Sync Word.

Table 14-42: Sync Word Definition in FLRC Packet

Sync Word	Bytes	Address
SyncWord1	SyncWord1[31:24]	0x09CF
	SyncWord1[23:16]	0x09D0
	SyncWord1[15:8]	0x09D1
	SyncWord1[7:0]	0x09D2

Table 14-42: Sync Word Definition in FLRC Packet

Sync Word	Bytes	Address
SyncWord2	SyncWord2[31:24]	0x09D4
	SyncWord2[23:16]	0x09D5
	SyncWord2[15:8]	0x09D6
	SyncWord2[7:0]	0x09D7
SyncWord3	SyncWord3[31:24]	0x09D9
	SyncWord3[23:16]	0x09DA
	SyncWord3[15:8]	0x09DB
	SyncWord3[7:0]	0x09DC

14.3.2 Tx Setting and Operations

1. Define output power and ramp time by sending the command:

SetTxParam(power,rampTime)

2. Write the payload to the data buffer with the command:

WriteBuffer(offset,data)

where *data* is the payload to be sent and *offset* is the address at which the first byte of the payload will be located in the buffer. Offset will correspond to *txBaseAddress* in normal operation.

3. Configure the DIOs and Interrupt sources (IRQs) by sending the command:

SetDioIrqParams(irqMask,dio1Mask,dio2Mask,dio3Mask)

In a typical Tx operation the following IRQ.s are selected:

- TxDone IRQ to indicate the end of packet transmission. The transceiver will be in STDBY_RC mode.
 - RxTxTimeout (optional) to make sure no deadlock can happen. The transceiver will return automatically to STDBY_RC mode if a timeout occurs.
4. Once configured, set the transceiver in transmitter mode to start transmission using command:

SetTx(periodBase, periodBaseCount[15:8], periodBaseCount[7:0])

If a timeout is desired, set *periodBaseCount* value different to zero. This timeout can be used to avoid deadlock.

Wait for IRQ TxDone or RxTxTimeout. Once a packet has been sent or a timeout occurs, the transceiver automatically transitions to STDBY_RC mode.

5. Optionally check the packet status to make sure that the packet has been sent correctly without user intervention by using the command:

GetPacketStatus()

In this case only the parameter *packetStatus3* is useful.

Table 14-43: PacketStatus3 in FLRC Packet

PacketStatus3	Symbol	Description
bit 7:1	reserved	reserved
bit 0	PktSent	Indicates that the packet transmission is complete. Only signifies the completion of transmit process and not the packet validity. Only applicable in Tx.

6. Clear TxDone or RxTxTimeout IRQ by sending the command:

ClrIrqStatus(irqMask)

This command will reset the flag for which the corresponding bit position in *irqMask* is set to 1.

14.3.3 Rx Setting and Operations

1. Configure the DIOs and Interrupt sources (IRQs) by sending the command:

SetDioIrqParams(IrqMask,Dio1Mask,Dio2Mask,Dio3Mask)

In a typical FLRC Rx operation one or several IRQ sources may be selected:

- RxDone to indicate a packet has been detected. This IRQ does not mean that the packet is valid (size or CRC correct). The user must check the packet status to ensure that the valid packed is received.
- SyncWordValid to indicate that a Sync Word has been detected.
- CrcError to indicate that the received packet has a CRC error
- RxTxTimeout to indicate that no packet has been detected in a given time frame defined by timeout parameter in the *SetRx()* command.

Map these IRQs to one DIO (DIO1 or DIO2 or DIO3).

2. Once configured, set the transceiver in receiver mode to start reception using command:

SetRx(periodBase, periodBaseCount[15:8], periodBaseCount[7:0])

Depending on *periodBaseCount*, 3 possible Rx behaviour are possible:

- *periodBaseCount* is set to 0, then no timeout, Rx Single mode, the device will stay in Rx mode until a reception occurs and the devices return in STDBY_RC mode upon completion.
- *periodBaseCount* is set 0xFFFF, Rx Continuous mode, the device remains in Rx mode until the host sends a command to change the operation mode. The device can receive several packets. Each time a packet is received, a packet reception indication is given to the host and the device will continue to search for a new packet.
- *periodBaseCount* is set to another value, then Timeout is active. The device remains in Rx mode; it returns automatically to STDBY_RC Mode on timer end-of-count or when a packet has been received. As soon as a packet is detected, the timer is automatically disabled to allow complete reception of the packet.

3. Typically, use a timeout and wait for IRQ RxDone or RxTxTimeout.

If IRQ RxDone rises, the transceiver goes to STDBY_RC mode if single mode is used (timeout set to a value different from 0xFFFF). If Continuous mode is used (timeout set to 0xFFFF) the transceiver stays in Rx and continues to listen for a new packet.

4. Check the packet status to make sure that the packet has been received properly, by sending the command:

GetPacketStatus()

The command returns the following parameters:

- *RssiSync*: RSSI value at the time the Sync Word was detected. Actual signal power is $-RssiSync/2$ (dBm)
- *packetStatus2*: Gives information about the last packet received as described in the next table
- *packetStatus3*: In FLRC packet, this status indicates in Tx mode if a packet has been sent or not
- *packetStatus4*: Indicates which correlator has detected the Sync Word

Table 14-44: PacketStatus2 in FLRC Packet

PacketStatus2	Symbol	Description
bit 7	Reserved	Reserved
bit 6	SyncError	Sync address detection status for the current packet Only applicable in Rx when sync address detection is enabled.
bit 5	LengthError	Asserted when the length of the received packet is greater than the Max length defined in the PAYLOAD_LENGTH parameter. Only applicable in Rx for dynamic length packets.
bit 4	CrcError	CRC check status of the current packet. The packet is available anyway in the FIFO. Only applicable in Rx when the CRC is enabled
bit 3	AbortError	Abort status indicates if the current packet in Rx/Tx was aborted. Applicable both in Rx & Tx.
bit 2	HeaderReceived	Indicates if the header for the current packet was received. Only applicable in Rx for dynamic length packets
bit 1	PacketReceived	Indicates that the packet reception is complete. Does not signify packet validity. Only applicable in Rx.
bit 0	PacketCtrlBusy	Indicates that the packet controller is busy. Applicable both in Rx/Tx

Table 14-45: PacketStatus3 in FLRC Packet

PacketStatus3	Symbol	Description
bit 7:1	Reserved	Reserved
bit 0	PktSent	Indicates that the packet transmission is complete. Does not signify packet validity. Only applicable in Tx.

Table 14-46: PacketStatus4 in FLRC Packet

PacketStatus4	Symbol	Description
bit 7:3	Reserved	Reserved
bit 2:0	SyncSdrsCode	Code of the sync address detected 000: sync address detection error 001: sync_adrs_1' detected 010: sync_adrs_2', detected 100: sync_adrs_3' detected

5. Once all checks are complete, clear the IRQs by sending the command:

ClrIrqStatus(irqMask)

This command will reset the flag for which the corresponding bit position in *irqMask* is set to 1.

Note:

A DIO can be mapped to several IRQ sources (ORed with IRQ sources). The DIO will go to zero once IRQ flag has been set to zero.

6. Get the packet length and the start address of the received payload by sending the command:

GetRxBufferStatus()

This command returns the length of the last received packet (*payloadLength*) and the address of the first byte received (*rxBufferOffset*) It is applicable to all modems. The address is an offset relative to the first byte of the data buffer.

7. Read the data buffer using the command:

ReadBuffer(offset, payloadLength)

Where *offset* is equal to *rxBufferOffset* and the command contains *payloadLength*.

14.4 LoRa® Operation

14.4.1 Common Transceiver Settings for LoRa®

After power up or hard reset the transceiver runs a calibration procedure and goes to STDBY_RC mode indicated by a low state on BUSY pin. From this state the steps are

1. If not in STDBY_RC mode, then go to this mode by sending the command:

SetStandby(STDBY_RC)

2. Define the LoRa® packet type by sending the command:

SetPacketType(PACKET_TYPE_LORA)

3. Define the RF frequency by sending the command:

SetRfFrequency(rfFrequency)

The **LSB** of *rfFrequency* is equal to the **PLL** step i.e. $52e6/2^{18}$ Hz. *SetRfFrequency()* defines the Tx frequency.

4. Indicate the addresses where the packet handler will read (*txBaseAddress* in Tx) or write (*rxBaseAddress* in Rx) the first byte of the data payload by sending the command:

SetBufferBaseAddress(txBaseAddress, rxBaseAddress)

Note:

***txBaseAddress* and *rxBaseAddress* are offset relative to the beginning of the data memory map.**

5. Define the modulation parameter by sending the command:

SetModulationParams(modParam1, modParam2, modParam3)

modParam1 defines the signal **BW**, *modeParam2* defines **SF** and *modParam3* defines the coding rate (CR).

Table 14-47: Modulation Parameters in LoRa® Mode

Parameter	Symbol	Value	Spreading factor
modParam1	LORA_SF_5	0x50	5
modParam1	LORA_SF_6	0x60	6
modParam1	LORA_SF_7	0x70	7
modParam1	LORA_SF_8	0x80	8
modParam1	LORA_SF_9	0x90	9
modParam1	LORA_SF_10	0xA0	10
modParam1	LORA_SF_11	0xB0	11
modParam1	LORA_SF_12	0xC0	12

After SetModulationParams command:

- If the Spreading Factor selected is SF5 or SF6, it is required to use *WriteRegister(0x925, 0x1E)*
- If the Spreading Factor is SF7 or SF-8 then the command *WriteRegister(0x925, 0x37)* must be used
- If the Spreading Factor is SF9, SF10, SF11 or SF12, then the command *WriteRegister(0x925, 0x32)* must be used
- In all cases 0x1 must be written to the Frequency Error Compensation mode register 0x093C

Table 14-48: Modulation Parameters in LoRa® Mode

Parameter	Symbol	Value	Bandwidth [kHz]
modParam2	LORA_BW_1600	0x0A	1625.0
modParam2	LORA_BW_800	0x18	812.5
modParam2	LORA_BW_400	0x26	406.25
modParam2	LORA_BW_200	0x34	203.125

Table 14-49: Modulation Parameters in LoRa® Mode

Parameter	Symbol	Value	Coding rate
modParam3	LORA_CR_4_5	0x01	4/5
modParam3	LORA_CR_4_6	0x02	4/6
modParam3	LORA_CR_4_7	0x03	4/7
modParam3	LORA_CR_4_8	0x04	4/8
modParam3	LORA_CR_LI_4_5	0x05	4/5*
modParam3	LORA_CR_LI_4_6	0x06	4/6*
modParam3	LORA_CR_LI_4_8	0x07	4/8*

* A new interleaving scheme has been implemented to increase robustness to burst interference and/or strong Doppler events. The FEC has been kept the same to limit the impact on complexity.

Long interleaving is selected by setting *modParam3* = 0x5, 0x6 or 0x7 (LORA_CR_LI_4_5, LORA_CR_LI_4_6 or LORA_CR_LI_4_8). Coding rate is signaled in header. Previously, only values 0x0 to 0x4 were valid.

The coding rate values respectively 4/5, 4/6, 4/8. So LORA_CR_LI_4_5 is like LORA_CR_4_5, LORA_CR_LI_4_6 like LORA_CR_4_6, LORA_CR_LI_4_8 like LORA_CR_4_8 with a different interleaving scheme.

Long interleaving is compatible with implicit header. Scrambling occurs with long interleaving, as with legacy interleaving.

Note:

There is a limitation on maximum payload length for LORA_CR_LI_4_8. Payload length should not exceed 253 bytes if CRC is enabled.

6. Define the packet format to be used by sending the command:

SetPacketParams(pktParam1, pktParam2, pktParam3, pktParam4, pktParam5)

- *packetParam1* = PreambleLength, which defines the preamble length (in symbols) to be used mainly by the packet handling in Tx mode.
- *packetParam2* = HeaderType

- *packetParam3* = PayloadLength
- *packetParam4* = CRC
- *packetParam5* = InvertIQ/chirp invert
- *packetParam1* defines the preamble length number expressed in LoRa® symbols. Recommended value is 12 symbols.

Table 14-50: Preamble Definition in LoRa® or Ranging

Parameter	Symbol	Value	Preamble length in symbols
packetParam1(3:0)	LORA_PBLE_LEN_MANT	[1:15]	preamble length = LORA_PBLE_LEN_MANT*2^(LORA_PBLE_LEN_EXP)
packetParam1(7:4)	LORA_PBLE_LEN_EXP	[1:15]	

The type of packet is defined by parameter PacketParam2. For fixed-length packet, no header is included and implicit header mode is selected. In variable length packet, the explicit header mode is used.

Table 14-51: Packet Type Definition in LoRa® or Ranging Packet

Parameter	Symbol	Value	Header mode
packetParam2	EXPLICIT_HEADER	0x00	EXPLICIT HEADER
packetParam2	IMPLICIT_HEADER	0x80	IMPLICIT HEADER

The payload length is defined in *packetParam3*.

Table 14-52: Payload Length Definition in LoRa® Packet

Parameter	Symbol	Value	PayloadLength
packetParam3	PayloadLength	[1.....255]	PayloadLength

Note:

There is a limitation on maximum payload length for LORA_CR_LI_4_8. Payload length should not exceed 253 bytes if CRC is enabled.

The CRC usage is defined in *packetParam4*.

Table 14-53: CRC Enabling in LoRa® Packet

Parameter	Symbol	Value	CRC mode
packetParam4	LORA_CRC_ENABLE	0x20	CRC ENABLE
packetParam4	LORA_CRC_DISABLE	0x00	CRC DISABLE

The IQ swapping is defined by *PacketParam5*. Note, that an IQ inverted packet will be undetectable by a non-inverted Rx.

Table 14-54: IQ Swapping in LoRa® or Ranging Packet

Parameter	Symbol	Value	LoRa® IQ swap
packetParam5	LORA_IQ_INVERTED	0x00	IQ swapped
packetParam5	LORA_IQ_STD	0x40	IQ standard

It is also possible to configure the LoRa SyncWord. With the 1 byte SynchWord taking the format 0xXY, it is written across the MSB of two registers as described below:

-write X in the register@0x944, in position [7:4] without modifying [3:0] (using a Read / Modify / Write operation)

-write Y in the register@0x945, in position [7:4] without modifying [3:0] (using a Read / Modify / Write operation)

14.4.2 Tx Setting and Operations

1. Define the output power and ramp time by sending the command:

SetTxParam(power,rampTime)

2. Send the payload to the data buffer by sending the command:

WriteBuffer(offset,*data)

where **data* is a pointer to the payload and *offset* is the address at which the first byte of the payload will be located in the buffer. Offset will correspond to *txBaseAddress* in normal operation.

3. Configure the DIOs and Interrupt sources (IRQs) by sending the command:

SetDioIrqParams(irqMask,dio1Mask,dio2Mask,dio3Mask)

In a typical Tx operation the user can select one or several IRQ sources:

- TxDone IRQ to indicate the end of packet transmission. The transceiver will be in STDBY_RC mode.
 - RxTxTimeout (optional) to make sure no deadlock can happen. The transceiver will return automatically to STDBY_RC mode if a timeout occurs.
4. Once configured, set the transceiver in transmitter mode to start transmission by sending the command:

SetTx(periodBase, periodBaseCount[15:8], periodBaseCount[7:0])

If a timeout is desired, set *periodBaseCount* to a non-zero value. This timeout can be used to avoid deadlock.

Wait for IRQ TxDone or RxTxTimeout

Once a packet has been sent or a timeout has occurred, the transceiver goes automatically to STDBY_RC mode.

5. Clear TxDone or RxTxTimeout IRQ by sending the command:

ClrIrqStatus(irqStatus)

This command will reset the flag for which the corresponding bit position in *irqStatus* is set to 1.

14.4.3 Rx Setting and Operations

1. Configure the DIOs and Interrupt sources (IRQs) by using command:

SetDioIrqParams(irqMask,dio1Mask,dio2Mask,dio3Mask)

In a typical LoRa® Rx operation the user could select one or several of the following IRQ sources:

- RxDone to indicate a packet has been detected. This IRQ does not mean that the packet is valid (size or CRC correct). The user must check the packet status to ensure that a valid packet has been received.
- PreambleValid is available to indicate a valid LoRa preamble has been detected.
- HeaderValid (and HeaderError) are available to indicate whether a valid packet header has been received.
- SyncWordValid to indicate that a Sync Word has been detected.
- CrcError to indicate that the received packet has a CRC error
- RxTxTimeout to indicate that no packet has been detected in a given time frame defined by timeout parameter in the SetRx() command.

2. Once configured, set the transceiver in receiver mode to start reception using command:

SetRx(periodBase, periodBaseCount[15:8], periodBaseCount[7:0])

Depending on *periodBaseCount*, 3 possible Rx behaviors are possible:

- *periodBaseCount* is set 0, then no Timeout, Rx Single mode, the device will stay in Rx mode until a reception occurs and the device returns to STDBY_RC mode upon completion.
- *periodBaseCount* is set 0xFFFF, Rx Continuous mode, the device remains in Rx mode until the host sends a command to change the operation mode. The device can receive several packets. Each time a packet is received, a packet received indication is given to the host and the device will continue to search for a new packet.
- *periodBaseCount* is set to another value, then Timeout is active. The device remains in Rx mode; it returns automatically to STDBY_RC Mode on timer end-of-count or when a packet has been received. As soon as a packet is detected, the timer is automatically disabled to allow complete reception of the packet.

3. In typical cases, use a timeout and wait for IRQ RxDone or RxTxTimeout.

If IRQ RxDone is asserted, the transceiver goes to STDBY_RC mode if single mode is used (timeout set to a value different from 0xFFFF). If Continuous mode is used (timeout set to 0xFFFF) the transceiver stays in Rx and continues to listen for a new packet.

4. Check the packet status to make sure that the packet has been received properly, by sending the command:

GetPacketStatus()

The command returns the following parameters:

- *SnrPkt* Estimation of SNR on last packet received. In two's complement format multiplied by 4.
Actual SNR in dB = $SnrPkt/4$, noting that only negative values should be used.

5. Once all checks are complete, clear IRQs by sending the command:

ClrIrqStatus(irqMask)

This command will reset the flag for which the corresponding bit position in *irqMask* is set to 1.

Note:

A DIO can be mapped to several IRQ sources (ORed with IRQ sources). The DIO will go to zero once IRQ flag has been set to zero.

6. Get the packet length and start address of the received payload by sending the command:

GetRxBufferStatus()

This command returns the length of the last received packet (*payloadLengthRx*) and the address of the first byte received (*rxStartBufferPointer*). It is applicable to all modems. The address is an offset relative to the first byte of the data buffer.

7. Read the data buffer using the command:

ReadBuffer(offset, payloadLengthRx)

Where *offset* is equal to *rxStartBufferPointer* and *payloadLengthRx* is the size of buffer to read.

8. Optionally, the frequency error indicator (FEI) can be read from register 0x0954 (MSB) 0x0955, 0x0956 (LSB). The FEI is 2's complement (signed) 20 bit number: *SignedFEIReading*. This must be converted from two's complement to a signed FEI reading then, in turn, can be converted to a frequency error in Hz using the following formula:

$$FrequencyError[Hz] = 1.55x \frac{SignedFeiReading}{\frac{1600}{BW[kHz]}}$$

The resolution of the frequency error indicator measurement in LoRa mode is given by:

$$FEI_RES [Hz] = 1 / (64 * Ts)$$

Where Ts is the LoRa symbol time. The table below shows all possible FEI resolution combinations versus SF and bandwidth. (All values in milliseconds).

Table 14-55: LoRa FEI Measurement Resolution [Hz]

SF/BW	1625 kHz	812 kHz	406 kHz	203 kHz
5	793	396	198	99
6	397	198	99	50
7	99	50	25	12
8	50	25	12	6
9	50	25	12	6
10	25	12	6	3
11	12	6	3	2
12	6	3	2	1

Note also that the sign of the FEI reading will change if the IQ of the receiver is inverted.

14.5 Ranging Operation

Ranging is a round-trip time of flight measurement between a pair of SX1280 transceivers configured as a ranging Master radio and a ranging Slave.

The following section will introduce the configuration required for ranging operation. These configuration steps must be reproduced identically on both Master and Slave, except where explicitly stated otherwise.

14.5.1 Ranging Device Setting

The ranging settings for both master and slave are given below:

1. If not in STDBY_RC mode, go to this mode by sending the command:

SetStandby(STDBY_RC)

2. Set the packet type to ranging by sending the command:

SetPacketType(PACKET_TYPE_RANGING)

3. Set the modulation parameters for the ranging operation by sending the command:

SetModulationParams(modParamSF,modParamBW, modParamCR)

The definition of the three arguments of the *SetModulationParams* is the same as for LoRa® settings.

However, for ranging operation, the use of SF11 and SF12 is not permitted. Similarly, the bandwidth configuration for ranging operations is restricted to the values 406.25 kHz, 812.5 kHz and 1625 kHz.

The following table summarizes the acceptable values for *SetModulationParams* command (the three arguments can be combined in any way):

Table 14-56: Ranging Device Modulation Parameters

modParamSF	modParamBW	modParamCR
LORA_SF_5	LORA_BW_400	LORA_CR_4_5
LORA_SF_6	LORA_BW_800	LORA_CR_4_6
LORA_SF_7	LORA_BW_1600	LORA_CR_4_7
LORA_SF_8	-	LORA_CR_4_8
LORA_SF_9	-	-
LORA_SF_10	-	-

4. Set the packet parameters by the command:

SetPacketParams(preambleLength, headerType, payloadLength, crcMode, invertlq)

The signification of the arguments is similar to the one of LoRa® SetPacketParams usage.

5. Set the RF frequency to use by the command:

SetRfFrequency(rfFrequency)

The rfFrequency is to be provided as a number of PLL step (ie. $52e6/(2^{18})$ Hz). SetRfFrequency() defines the Tx frequency.

6. Set the Tx parameters by:

SetTxParams(txPower, rampTime)

7. During ranging operation, multiple slaves and multiple masters can be within range of communication. However, the ranging operation must use only one slave and one master. To help slaves distinguish the master to respond to and other masters within range, and to address a specific slave, the ranging requests contain an address field which is checked by slave on ranging request reception.

On slave only, use the *WriteRegister* command to set the address the slave can respond to. The registers to write are given by the following table (for addresses less than 32 bits the LSBs are considered):

Table 14-57: Slave Ranging Request Address Definition

Slave Ranging req address	Address
RangingRangingAddress[31:24]	0x916
RangingRangingAddress[23:16]	0x917
RangingRangingAddress[15:8]	0x918
RangingRangingAddress[7:0]	0x919

The slave also requires the number of address bits to be checked by issuing a *WriteRegister* command with the following parameters:

Table 14-58: Register Address Bit Definition

Register Address	Field	Value	Number of Address Bits Checked
0x931	7:6	0x0	8 bits
		0x1	16 bits
		0x2	24 bits
		0x3	32 bits

The Master also needs to use the same address, as this is the address to which the ranging request will be issued. It is set by issuing the *WriteRegister* command to the following registers:

Table 14-59: Master Ranging Request Address Definition

Master Ranging Request Address	Address
RangingRequestAddress[31:24]	0x912
RangingRequestAddress[23:16]	0x913
RangingRequestAddress[15:8]	0x914
RangingRequestAddress[7:0]	0x915

8. Set the IRQ that should be generated by the radio for ranging operations using the command:

SetDioIrqParams(irqMask, dio1Mask, dio2Mask, dio3Mask)

The IRQs to be activated depend of the ranging role of the sx1280. For the Master typical ranging operations require the following IRQs:

- RangingMasterResultValid
- RangingMasterResultTimeout

For the Slave the typical IRQs are:

- RangingSlaveResponseDone
- RangingSlaveRequestDiscarded

9. The ranging process needs a calibration value to compensate the Rx-Tx delay offset. The calibration value is set by calling *WriteRegister* command on the following registers:

Table 14-60: Calibration Value in Register

Calibration Value	Register
Calibration[15:8]	0x92C
Calibration[7:0]	0x92D

The calibration value is a function of SF, BW and of any group delay seen by the propagating RF ranging signal. A rudimentary calibration can be applied using the values above.

For more details about calibration in ranging, see the Application Note “Introduction to Ranging for SX1280” on www.semtech.com.

10. The role of the SX1280 in ranging operation must be explicitly given issuing the following command:

SetRangingRole(role)

Where role value is provided by the following table:

Table 14-61: Ranging Role Value

Ranging Role	Value
Master	0x01
Slave	0x00

11. Finally, use the following commands to start the ranging procedure:

- On Slave side: SetRx(periodBaseRx, periodCountRx)
- On Master side: SetTx(periodBaseTx, periodCountTx)

If there is no timing constraint in the application level, it is advised to use the continuous mode (ie. *PeriodCount=0xFFFF*).

The ranging modem automatically manages the transition from Rx to Tx for Slave, and from Tx to Rx for Master.

12. The ranging results are accessible only from the Master. When Master generates the IRQ RangingMasterResultValid, the ranging result is ready to be read from the three registers detailed below:

Table 14-62: Register Result Address

Register Address	Ranging Result
0x961	RangingResult[23:16]
0x962	RangingResult[15:8]
0x963	RangingResult[7:0]

The ranging results can, optionally, be post processed using the internal filtering of the SX1280. The ranging result can be recovered at various points throughout the filtering process. The process is as follows:

1. The raw ranging results are collected.
2. A sliding window of samples is recovered, the length of the window is determined by the value of register address 0x91E the size of the averaging window *RangingFilterWindowSize* is limited from 8 to 255.
3. The maximum received RSSI received in the *RangingFilterWindowSize* results is determined.
4. The *RangingFilterRssiThresholdOffset* set by the contents of register value 0x953 determines the relative power below (in dB) which samples from our sample window will be rejected (default value is 0x24).
5. The remaining results are averaged and returned as the ranging result.

At any time the filter window samples can be reset by setting bit 6 of register 0x923. The ranging result value optionally be preserved by setting bit 1 of register 0x97f, Freeze Ranging Result.

The output format of the ranging result will depend upon the setting of **RangingResMux**:

Table 14-63: Ranging Result Type Selection

RangingResMux(5:4)	Ranging Output Type	Output	Conversion to Distance [m]
00	Raw result	Step 1	Distance [m] = RangingResult*150/(2 ¹² *BW) with BW in MHz
01	Average RSSI filtered result	Step 5	

Due to the particular usage of the ranging result register, the following procedure is required to read the ranging result:

1. Set the radio in Oscillator mode with

SetStandby(STDBY_XOSC)

2. Enable clock in LoRa® memory:

WriteRegister(0x97F, ReadRegister(0x97F) | (1 << 1));

3. Set the ranging result type and read the ranging registers as usual:

WriteRegister(0x0924, (ReadRegister(0x0924) & 0xCF) | ((resultType) & 0x03) << 4);
valLsb = ((ReadRegister(0x0961) << 16) | (ReadRegister(0x0962) << 8) | (ReadRegister(0x0963)));

4. Set the transceiver to Standby mode:

SetStandby(STDBY_RC)

14.5.2 Ranging Operation as State Machines

The ranging operation that should be implemented in the host MCU is summarized in the following simple state machine diagram:

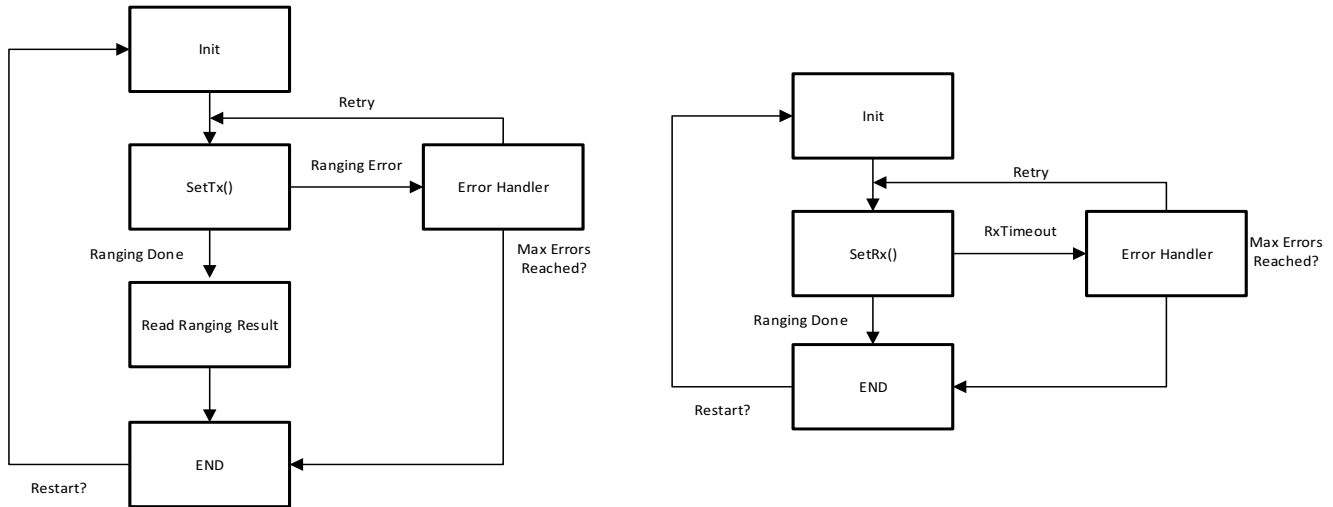


Figure 14-1: Ranging Application State Machine Diagram

These state machines do not represent the internal behavior of the chip, but rather the steps the user has to implement in order to perform ranging measurements.

The radio configuration described in steps 1) to 10) outlined previously belong to the Init state.

The SetTx and SetRx calls described in step 11) are executed in states *SendRequest* and *WaitRequest*.

The reading of the ranging results is performed in the state *SaveResult* of Master state machine. It is also the place where the frequency correction will be applied.

Note:

This frequency correction needs a prior evaluation of the Estimated Frequency Error on Slave side, which is not represented here.

The Error Handler state is application-dependent. This state should be reached in case of *RangingMasterResultTimeout* or *RangingSlaveRequestDiscarded* IRQs. Here it is proposed to retry sending/receiving ranging request until a maximum number of errors has been reached.

Note:

The reception of the ranging response on Master side and broadcast of the response on Slave side is automatically handled by the SX1280 chip.

14.5.3 Ranging RSSI

The Ranging RSSI provides a measure of the signal strength of the ranging response received by the ranging Master of a single ranging exchange. Contrary to the signal strength reported during a LoRa communication packet, the Ranging RSSI reports the signal power as an integer dB value from a threshold well below any possible receiver sensitivity (below the thermal noise floor) as shown below.

Thus, a low value of Ranging RSSI corresponds to a low received ranging response signal power, the RSSI ranging result is hence intended principally as a power indicator for post processing of ranging operations.

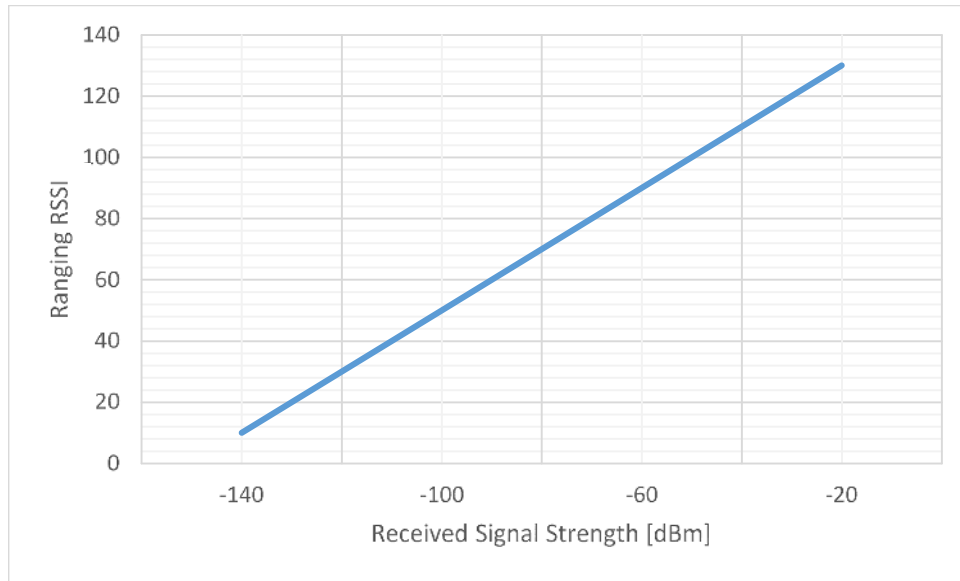


Figure 14-2: Example Ranging RSSI Response (may vary depending upon SF BW used)

14.6 Advanced Ranging

Advanced ranging mode permits the overhearing of a ranging exchange between a proximate Master and Slave and allows measurement of the time difference of the arrival of ranging request and ranging response respectively.

14.6.1 Advanced Ranging Mode Operation

The steps to enable the advanced ranging mode are as follows:

1. Send a *SetRangingRole(0x00)*, write 0x00 to Opcode 0xA3, the same as for Slave mode.
2. To activate the advanced ranging mode, send a *SetAdvancedRanging()* command (by writing 0x01 to opcode 0x9A).
3. Enable the *AdvancedRangingDone* interrupt on 0x8000. (In advanced ranging mode this replaces *PreambleDetected*)
4. Set continuous Rx mode (see [Section 11.6.5 on page 80](#) for a full description).
5. Upon the reception of the slave response, the *AdvancedRangingDone* interrupt is raised and the host microcontroller can read the advanced ranging time difference result, as described below.

To read the advanced ranging time difference result:

1. Set the radio in Oscillator mode with

SetStandby(STDBY_XOSC)

2. Enable clock in LoRa® memory:

WriteRegister(0x97F, ReadRegister(0x97F) | (1 << 1));

3. Set the ranging type and read the ranging registers as usual:

WriteRegister(0x0924, (ReadRegister(0x0924) & 0xCF) | ((resultType) & 0x03) << 4);
result = ((ReadRegister(0x0961) << 16) | (ReadRegister(0x0962) << 8) | (ReadRegister(0x0963)));

4. Set the transceiver to Standby mode:

SetStandby(STDBY_RC)

5. To read the RangingAddressReceived of the exchange, the 4 byte result must be multiplexed out from registers 0x960 and 0x95F as described below:

WriteRegister(0x927, ReadRegister(0x927) & 0xFC) | 0x00)
uint32_t RangingAddressReceived = ReadRegister(0x960)
RangingAddressReceived |= (ReadRegister(0x95F) << 8)
WriteRegister(0x927, (ReadRegister(0x927) & 0xFC) | 0x01)
RangingAddressReceived |= (ReadRegister(0x960) << 16)
RangingAddressReceived |= (ReadRegister(0x95F) << 24)

6. Retrieving RSSI, SNR and frequency may all be read as described in the previous section.

Exiting advanced ranging mode:

1. Exit advanced ranging monitoring: *SetStandby(STDBY_RC)*.
2. Deactivate advanced ranging mode: write 0x00 to opcode 0x9A

14.6.2 Advanced Ranging State Machine

This state machine shown below must be implemented state machine does not represent the internal behavior of the chip, but rather the steps that the user has to implement to use the spy mode.

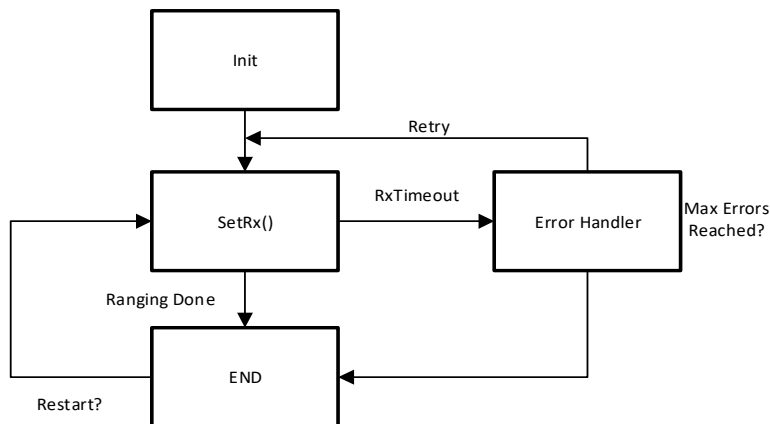


Figure 14-4: Advanced Ranging Mode State Machine

14.7 Miscellaneous Functions

14.7.1 SetRegulatorMode Command

By default the **LDO** is enabled. This is useful in low cost applications where the cost of an extra inductor needed for DC-DC converter is prohibitive. The penalty for using the **LDO** is a doubling of current consumption. This command allows the user to specify if DC-DC or **LDO** is used for power regulation.

Table 14-64: Power Regulation Selection SPI Data Transfer

Byte	0	1
Data from host	Opcode= 0x96	regModeParam

Table 14-65: Power Regulation Selection UART Data Transfer

Byte	0	1	2
Data from host	Opcode= 0x96	0x01	regModeParam

Table 14-66: RegModeParam Definition

RegModeParam value	0	1
Regulator used	Only LDO used for all modes	DC-DC used for STDBY_XOSC, FS, Rx and Tx modes LDO used for STDBY_RC

14.7.2 Context Saving

Upon transition to Sleep mode the contents of the transceiver registers will be lost. The configuration of the radio can be automatically restored using the *SetSaveContext()* command. This stores the present context of the radio register values to the Data RAM within the Protocol Engine for restoration upon wake-up. The operation sequence is as follows:

- Once the device has been configured, the host must send *SaveContext()* before *SetSleep()* command.
- Upon issuing the *SetSleep()* command it is necessary that the Data RAM is to be retained.
- When the transceiver wakes up from sleep, it checks to see if the Data RAM has been saved and also if a valid register dump exists (i.e. the save context command has been issued). If both conditions are met the registers will be restored.

Note:

In duty cycled operation the save context is automatically invoked. The Rx buffer pointer used for payload data is reset to the default value of 0x00 when exiting Sleep mode.

Table 14-67: SetSaveContext Data Transfer

Byte	0
Data from host	Opcode = 0xD5

The *SetSaveContext()* data transfer is the same for both SPI and UART transfers.

15. Reference Design and Application Schematics

15.1 Reference Design

15.1.1 Application Design Schematic

The long range 2.4 GHz application circuit is shown below:

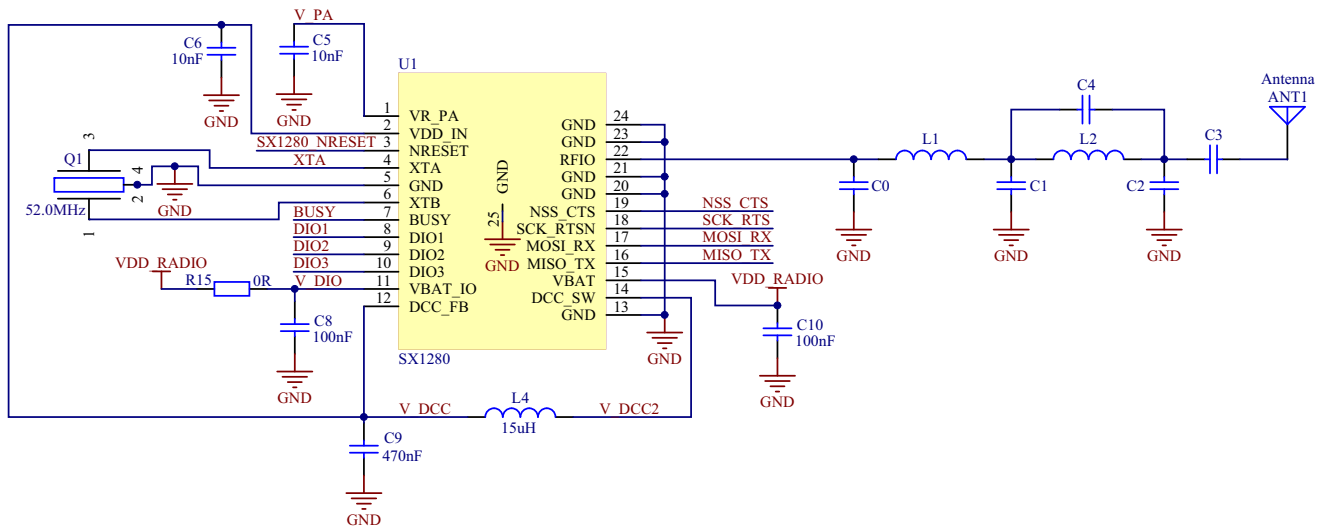


Figure 15-1: Transceiver Application Design Schematic

Figure 14-1 shows the SX1280 reference design. The design minimizes the number of external components needed to help reduce the overall cost and size of the design. The RF signal path comprises an impedance match (C0, L1) followed by a harmonic PI-section filter. This is then decoupled by C3 to allow the connection of grounded antennas to the antenna port without affecting the DC bias (applied by the circuit internally) on the RFIO pin.

C9 And L4 form the low pass filter for the integrated DC-DC regulation, the remaining capacitances are all related to decoupling of the battery and internally regulated supplies. Finally, the external crystal reference oscillator exploits internally integrated foot capacitances to further miniaturize the design.

15.1.2 Reference Design BOM

Table 15-1: Reference Design BOM

RefDes	MPN	Geom	Value	Description
U1	SX1280	VQFN24 4x4mm	SX1280	SX1280 2.4 GHz High Link Budget Transceiver with LoRa® technology
R15	CRCW04020000Z0ED	0402	0 Ω	Thick Film Resistor ±1%, 1/16W
C0	GRM1555C1HR80BA01D	0402	0.8 pF	Multilayer ceramic capacitors C0G ± 0.1 pF, 50 V
C1	GRM1555C1H1R2BA01D	0402	1.2 pF	Multilayer ceramic capacitors C0G ± 0.1 pF, 50 V
C2	GRM1555C1H1R2BA01D	0402	1.2 pF	Multilayer ceramic capacitors C0G ± 0.1 pF, 50 V
C3	GRM1555C1H101JA01D	0402	100 pF	Multilayer ceramic capacitors C0G ± 5%, 50 V
C4	GRM1555C1HR50WA01D	0402	0.5 pF	Multilayer ceramic capacitors C0G ± 0.05 pF, 50 V
C5	GRM155R71E103KA01D	0402	10 nF	Multilayer ceramic capacitors X7R ± 10%, 25 V
C6	GRM155R71E103KA01D	0402	10 nF	Multilayer ceramic capacitors X7R ± 10%, 25 V
C8	GRM155R71C104KA88D	0402	100 nF	Multilayer ceramic capacitors X7R ± 10%, 16 V
C9	GRM155R61A474KE15D	0402	470 nF	Multilayer ceramic capacitors X5R ± 10%, 10 V
C10	GRM155R71C104KA88D	0402	100 nF	Multilayer ceramic capacitors X7R ± 10%, 16 V
L1	LQW15AN3N0B80D	0402	3.0 nH	Wire-wound Inductor ± 0.1 nH
L2	LQW15AN2N5C00D	0402	2.5 nH	Wire-wound Inductor ± 0.2 nH
L4	MLZ2012M150W	0805	15 μH	MLZ2012 Multilayer Shielded Inductor ± 5%
Q1	NX2016SA-52.000000MHZ	NX2016SA	52.000 MHz	Crystal unit, NDK Ref: EXS00A-CS07103, Tol. ± 10 ppm, Cload = 10 pF

15.1.3 Reference Design PCB

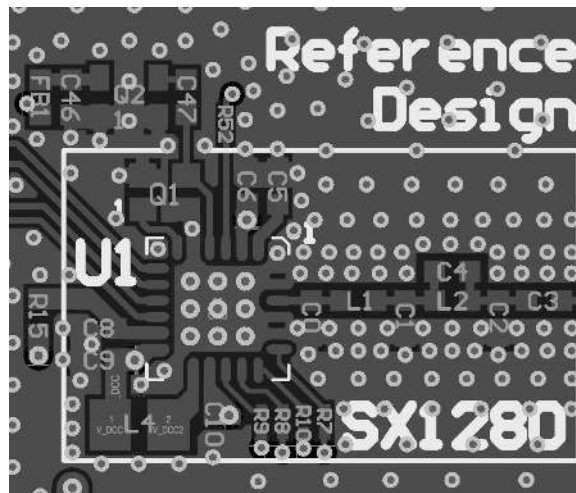


Figure 15-2: Long Range Reference Design PCB Layout

15.2 Application Design with optional TCXO

Although the modulation parameters of the transceiver are designed to tolerate typical frequency drifts associated with the use of industry standard tolerance crystal reference oscillator components, an external Temperature Compensated Crystal Oscillator (TCXO) can be used. The figure below shows how the TCXO should be AC-coupled to the XTA input of transceiver. The TCXO should be of the 0.8 V clipped sine output type. Please consult the crystal manufacturer for full details of the components required specific to your TCXO.

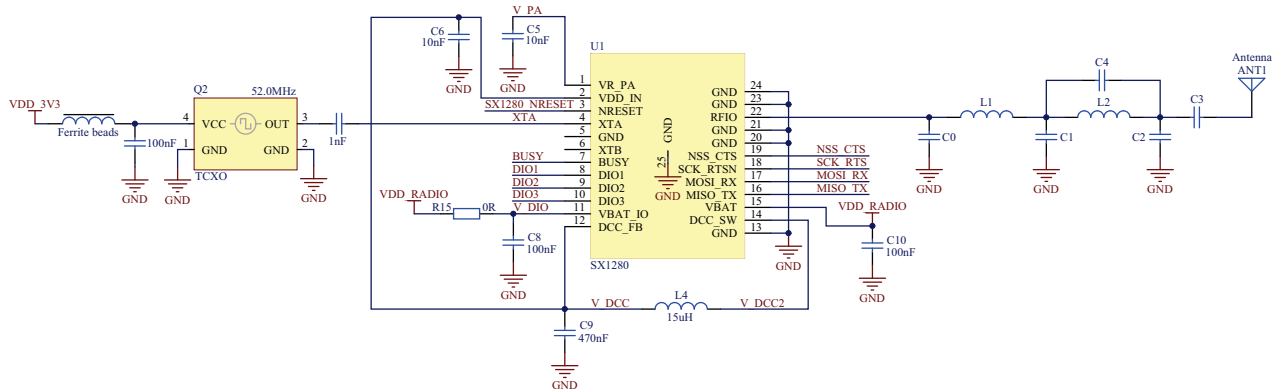


Figure 15-3: Application Schematic with Optional TCXO

15.3 Application Design with Low Drop Out Regulator

The following schematic shows the connection for use of the LDO instead of the DC-DC converter.

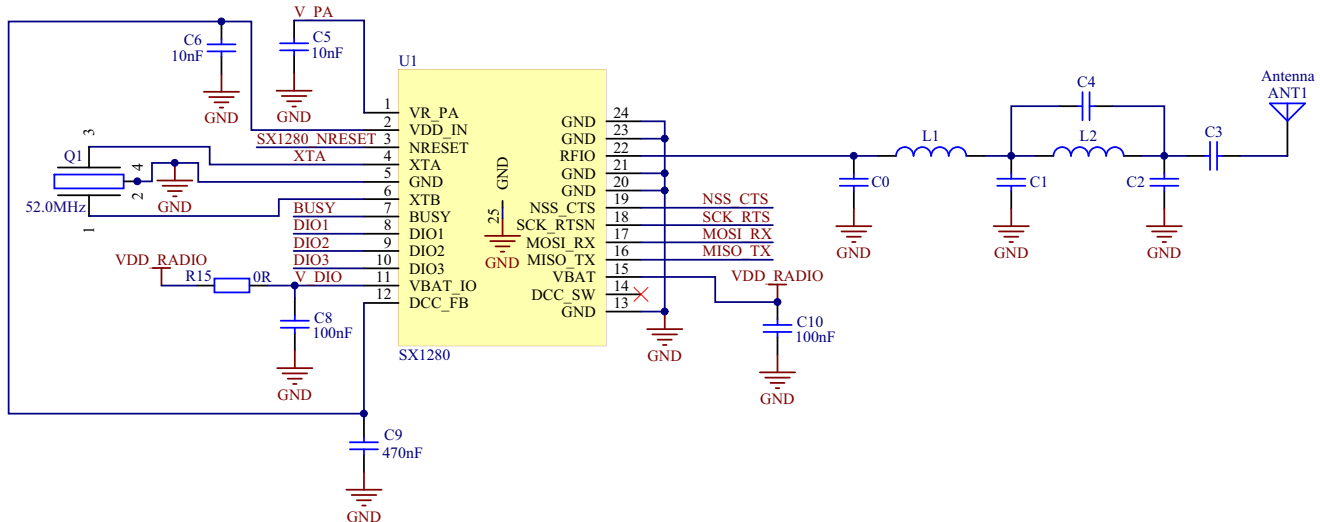


Figure 15-4: Application Schematic with Low Drop Out Regulator Schematic

15.4 Sleep Mode Consumption

To attain the low Sleep mode consumption figures stated in the specification it is necessary to ensure that the following states are presented by the host controller to the SX1280:

Table 15-2: Host Settings for Minimizing Sleep Mode Consumption

Transceiver Pin	State
NSS	Logical '1'
SCK	Logical '0'
MOSI	Logical '1' or '0'
MISO	High Impedance
NRESET	Logical '1'
BUSY	Output
DIO1	Output
DIO2	Output
DIO3	Output

16. Errata

Any known issues with the operation of the radio and their solutions are presented in this Section.

16.1 All Modems: Continuous Receive Mode in Congested Traffic

16.1.1 Problem Description

When subjected to a high co-channel traffic conditions (for example in BLE mode when the SX1280 receives more than 220 packets per second) and only when configured in continuous receiver mode:

```
Radio.SetRx(0xFFFF)
```

The SX1280 busy line will remain high and the radio unresponsive.

16.1.2 Problem Solution

If the radio may be subject to high levels of BLE traffic, to allow the radio to remain in operation RX single mode must be used:

```
Radio.SetRx(0)
```

When in single receiver mode, the radio must be reconfigured manually by the host MCU to return to receive mode following the completion of a reception operation.

According to the data sheet:

Rx Continuous mode: The device remains in Rx mode until the host sends a command to change the operation mode. The device can receive several packets. Each time a packet is received, a "packet received" indication is given to the host and the device will continue to search for a new packet.

Rx Single mode: The device will stay in Rx mode until a reception occurs and the devices return in STDBY_RC mode upon completion.

16.2 LoRa Modem: Additional Header Checks Required

16.2.1 Problem Description

If the LoRa modem is used with the header enabled, in the presence of a header error no RxDone or RxTimeout will be generated.

16.2.2 Problem Solution

To prevent the radio becoming blocked in LoRa receive mode in the presence of the corrupted header, the HeaderError interrupt must be mapped to the DIO lines and routed to the host microcontroller. Upon reception of the HeaderError interrupt the host could, for example, put the radio back in receiver mode.

The process for mapping the interrupt is shown in Section 11.9 of the datasheet.

16.3 All Modems: Interrupt with Bad CRC

16.3.1 Problem Description

It should be noted that any packet demodulated by the radio, using any modem, which generates an RxDone will not filter out any packets with payload CRC errors.

16.3.2 Problem Solution

Any packet received by the radio that generates an RxDone should also be screened using the Error Packet Status Byte. The presence of a CRC error is indicated by the CrcError bit in that byte, as described in Section 11.8 of the datasheet.

16.4 FLRC Modem: Increased PER in FLRC Packets with Synch Word

16.4.1 Problem Description

FLRC packets with synch word enabled will suffer from an increase in packet error rate if the synch word too-closely resembles the 21 bit Barker preamble pattern of the FLRC modem.

16.4.2 Problem Solution

Disable Synch Word

Disabling the synch word functionality will definitively prevent the search for subsequent preamble patterned data in the remainder of the packet, allowing the packet to be received.

Synch Word Enabled: CR 1/2

Whilst the issue will arise in all usage of the modem when the synch word is enabled - the severity of the issue depends upon the FEC coding rate used. For the coding rate of 1/2, the following first 16 bits of synch words must be avoided in the 32 bit synch word:

0x 8C 38 XX XX

0x 63 0E XX XX

Where XX represents the remaining 16 bits of the 32 bit synch word.

Synch Word Enabled: CR 3/4

For this coding rate the same synch word MSBs are forbidden:

0x 8C 38 XX XX

0x 63 0E XX XX

(Again, XX represents the remaining 16 bytes of the synch word). In addition to this the two LSB values XX XX must not be in the range 0x0000 to 0x3EFF.

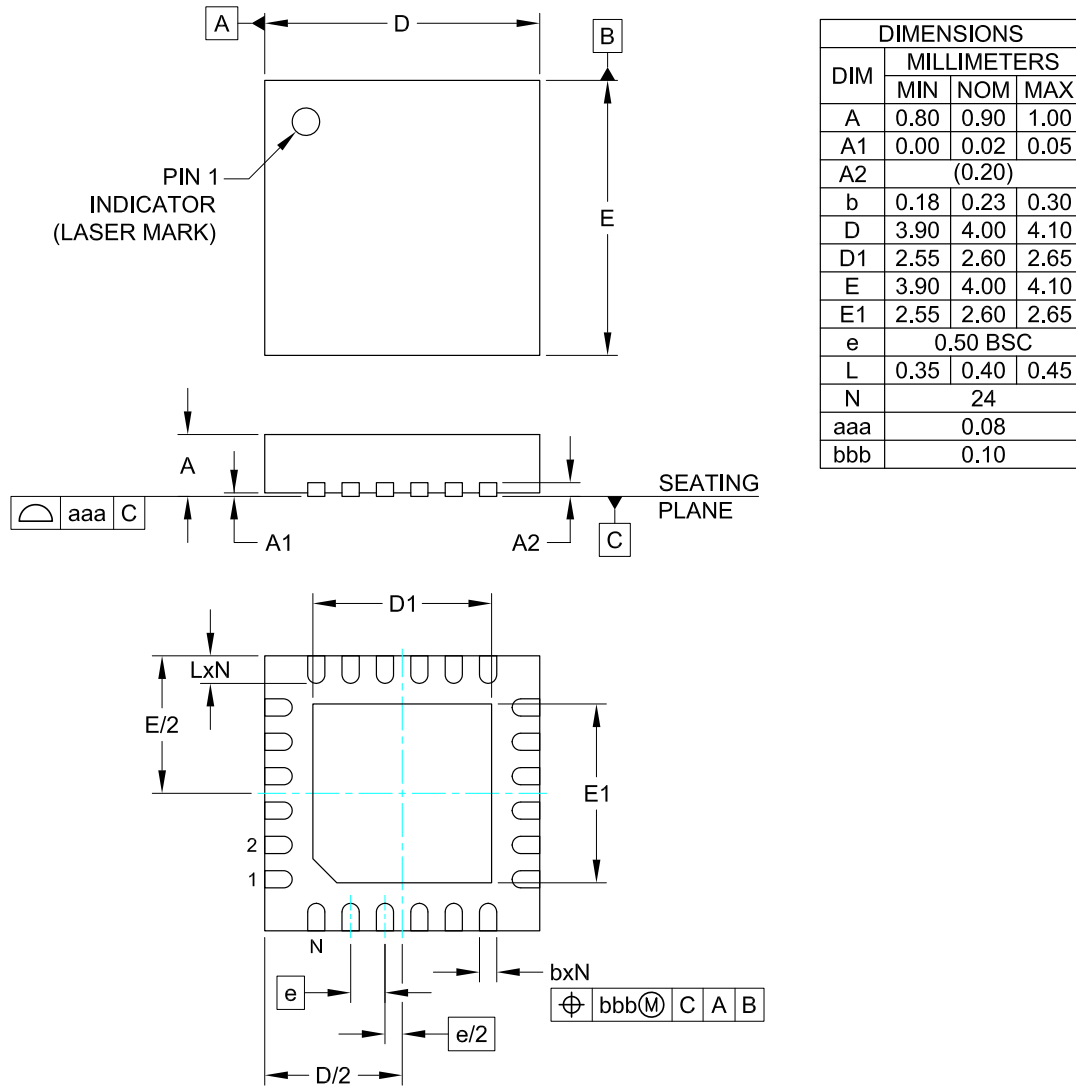
Synch Word Enabled: CR 1

Use of CR1 is possible in FLRC mode but requires a more complex calculation of the blacklist of forbidden synch word combinations. Please contact your local Semtech representative for more information.

17. Packaging Information

17.1 Package Outline Drawing

The transceiver is delivered in a 4x4mm QFN package with 0.5mm pitch:

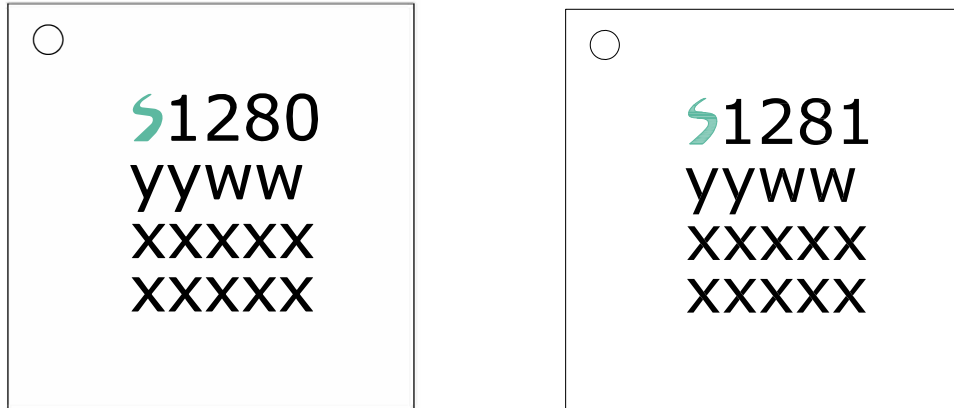


NOTES:

1. CONTROLLING DIMENSIONS ARE IN MILLIMETERS (ANGLES IN DEGREES).
2. COPLANARITY APPLIES TO THE EXPOSED PAD AS WELL AS THE TERMINALS.

Figure 17-1: QFN 4x4 Package Outline Drawing

17.2 Package Marking



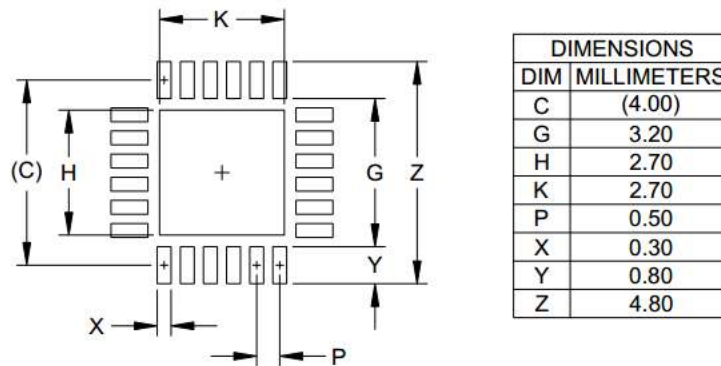
Marking for the 4 x 4mm MLPQ 24 Lead package:

Snnnn = Part Number (Example: S1280)
 yyww = Date Code (Example: 1752)
 xxxxx = Semtech Lot No. (Example: E9010)
 xxxxx 01-10

Figure 17-2: SX1280 and SX1281 Package Marking

17.3 Land Pattern

The recommended land pattern is as follows:



NOTES:

1. CONTROLLING DIMENSIONS ARE IN MILLIMETERS (ANGLES IN DEGREES).
2. THIS LAND PATTERN IS FOR REFERENCE PURPOSE ONLY. CONSULT YOUR MANUFACTURING GROUP TO ENSURE YOUR COMPANY'S MANUFACTURING GUIDELINES ARE MET.
3. THERMAL VIAS IN THE LAND PATTERN OF THE EXPOSED PAD SHALL BE CONNECTED TO A SYSTEM GROUND PLANE. FAILURE TO DO SO MAY COMPROMISE THE THERMAL AND/OR FUNCTIONAL PERFORMANCE OF THE DEVICE.
4. SQUARE PACKAGE - DIMENSIONS APPLY IN BOTH " X " AND " Y " DIRECTIONS.

Figure 17-3: QFN 4x4mm Land Pattern

17.4 Reflow Profiles

Reflow process instructions are available from the Semtech website, at the following address:

http://www.semtech.com/quality/ir_reflow_profiles.html

The transceiver uses a QFN24 4x4mm package, also named MLP package.

17.5 Thermal Impedance

The Package QFN 24L 4X4 E-pad (Device: SX12801MLTRT) mounted on 4 layers JEDEC PCB with 9 thermal vias in still air is able to dissipate the required amount of power 0.20W at the ambient temperature of 25°C while keeping the maximum junction temperature of die below 125°C.

Θ_{JA} of the corresponding package in still air is computed as 50.3 °C / W.

Ψ_{JT} of the corresponding package is computed as 0.3 °C / W.

Θ_{JC} of the corresponding package is computed as 30.0 °C / W.

Θ_{JB} of the corresponding package is computed as 13.3 °C / W.

17.6 Tape and Reel Specification

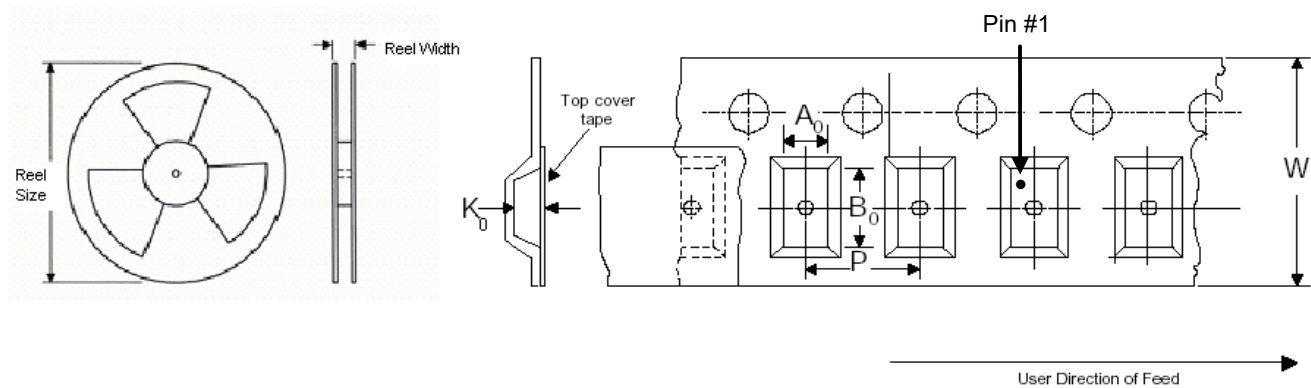


Figure 17-4: Tape and Reel Specification

Table 17-1: Tape and Reel Specification

Package Size	Carrier Tape (mm)					Reel				
	Tape Width (W)	Pocket Pitch (P)	A ₀	B ₀	K ₀	Reel Size [in]	Reel Width [mm]	Min. Trailer Length [mm]	Min. Leader Length [mm]	QTY per Reel
4 x 4	12	8	4.35	4.35	1.10	7/13	12.4	400	400	3000

Glossary

List of Acronyms and their Meaning

Acronym	Meaning
ACR	Adjacent Channel Rejection
ADC	Analog-to-Digital Converter
AFC	Automatic Frequency Correction
AGC	Automatic Gain Control
API	Application Programming Interface
β	Modulation Index
BLE	Bluetooth® Low Energy Technology <i>The Bluetooth® word mark is a registered trademark owned by the Bluetooth SIG, Inc.</i>
BR	Bit Rate
BT	Bandwidth-Time bit period product
BW	BandWidth
CAD	Channel Activity Detection
CMD	Command Transaction
CPOL	Clock Polarity
CPHA	Clock Phase
CR	Coding Rate
CRC	Cyclical Redundancy Check
CW	Continuous Wave
DC-DC	DC to DC Converter
DIO	Digital Input / Output
DSB	Double Side Band
FEC	Forward Error Correction
FLRC	Fast Long Range Communication
FSK	Frequency Shift Keying
GFSK	Gaussian Frequency Shift Keying
GMSK	Gaussian Minimum Shift Keying
IF	Intermediate Frequencies
IRQ	Interrupt Request
LDO	Low-Dropout

List of Acronyms and their Meaning

Acronym	Meaning
LLID	Logical Link Identifier
LNA	Low-Noise Amplifier
LO	Local Oscillator
LoRa®	Long Range Communication <i>the LoRa® Mark is a registered trademark of the Semtech Corporation</i>
LSB	Least Significant Bit
MD	More Data
MIC	Message Integrity Check
MISO	Master Input Slave Output
MOSI	Master Output Slave Input
MSB	Most Significant Bit
MSK	Minimum-Shift Keying
NESN	Next Expected Sequence Number
NOP	No Operation
NRZ	Non-Return-to-Zero
NSS	Slave Select active low
OOK	On-Off Keying
PA	Power Amplifier
PDU	Protocol Data Unit
PER	Packet Error Rate
PID	Product Identification
PLL	Phase-Locked Loop
PRNG	Pseudo-Random Number Generation
RFU	Reserved for Future Use
RTC	Real-Time Clock
RTSN	Request to Send
SCK	Serial Clock
SF	Spreading Factor
SN	Sequence Number
SNR	Signal to Noise Ratio
SPI	Serial Peripheral Interface
STDBY	Standby

List of Acronyms and their Meaning

Acronym	Meaning
TCXO	Temperature Compensated Crystal Oscillator
UART	Universal Asynchronous Receiver/Transmitter
XOSC	Crystal Oscillator



Important Notice

Information relating to this product and the application or design described herein is believed to be reliable, however such information is provided as a guide only and Semtech assumes no liability for any errors in this document, or for the application or design described herein. Semtech reserves the right to make changes to the product or this document at any time without notice. Buyers should obtain the latest relevant information before placing orders and should verify that such information is current and complete. Semtech warrants performance of its products to the specifications applicable at the time of sale, and all sales are made in accordance with Semtech's standard terms and conditions of sale.

SEMTECH PRODUCTS ARE NOT DESIGNED, INTENDED, AUTHORIZED OR WARRANTED TO BE SUITABLE FOR USE IN LIFE-SUPPORT APPLICATIONS, DEVICES OR SYSTEMS, OR IN NUCLEAR APPLICATIONS IN WHICH THE FAILURE COULD BE REASONABLY EXPECTED TO RESULT IN PERSONAL INJURY, LOSS OF LIFE OR SEVERE PROPERTY OR ENVIRONMENTAL DAMAGE. INCLUSION OF SEMTECH PRODUCTS IN SUCH APPLICATIONS IS UNDERSTOOD TO BE UNDERTAKEN SOLELY AT THE CUSTOMER'S OWN RISK. Should a customer purchase or use Semtech products for any such unauthorized application, the customer shall indemnify and hold Semtech and its officers, employees, subsidiaries, affiliates, and distributors harmless against all claims, costs damages and attorney fees which could arise.

The Semtech name and logo are registered trademarks of the Semtech Corporation. The LoRa® Mark is a registered trademark of the Semtech Corporation. All other trademarks and trade names mentioned may be marks and names of Semtech or their respective companies. Semtech reserves the right to make changes to, or discontinue any products described in this document without further notice. Semtech makes no warranty, representation or guarantee, express or implied, regarding the suitability of its products for any particular purpose. All rights reserved.

© Semtech 2020

Contact Information

Semtech Corporation
Wireless & Sensing Products
200 Flynn Road, Camarillo, CA 93012
Phone: (805) 498-2111, Fax: (805) 498-3804
www.semtech.com