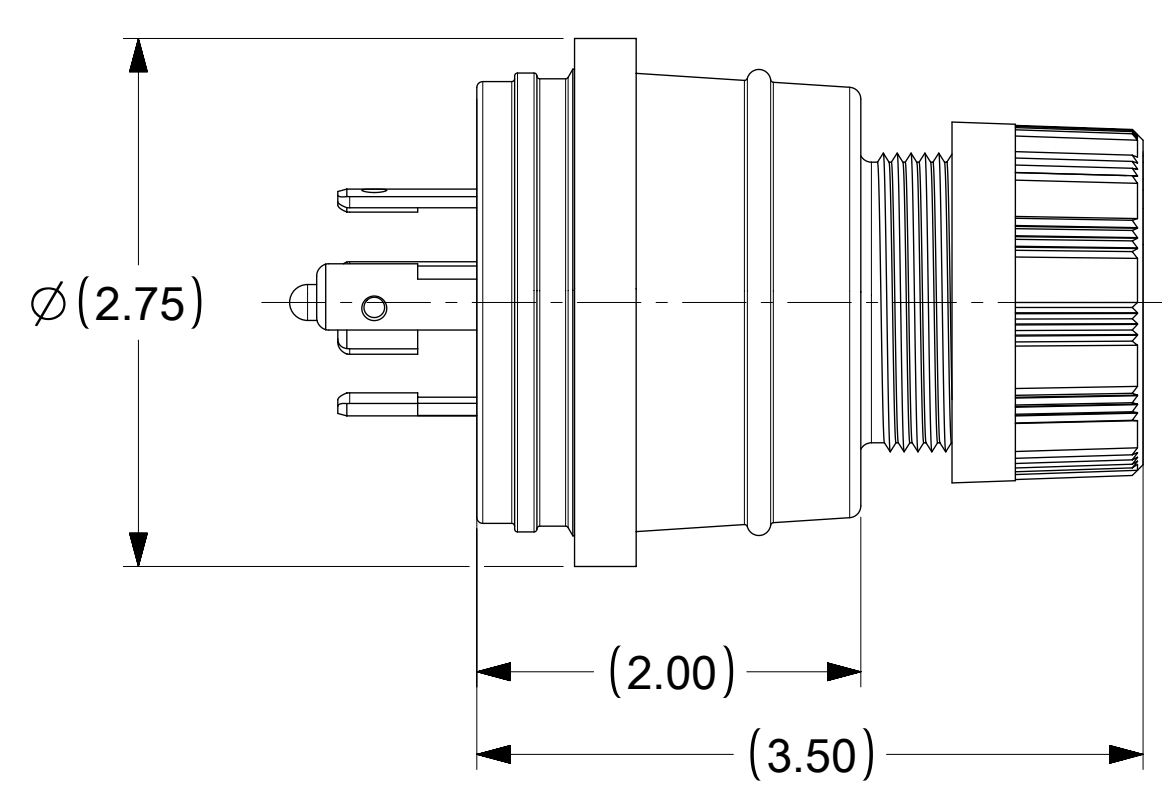
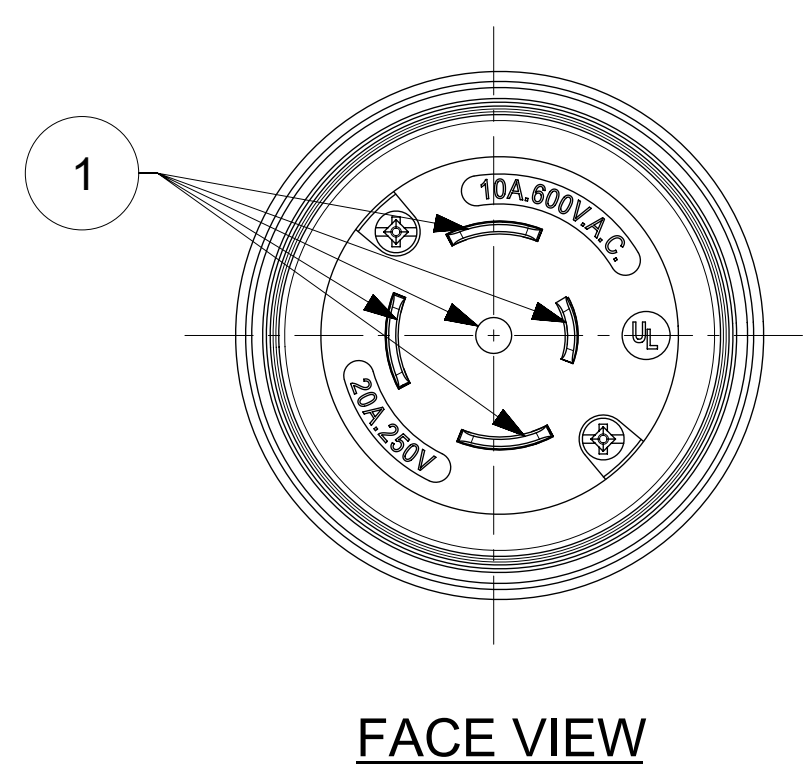
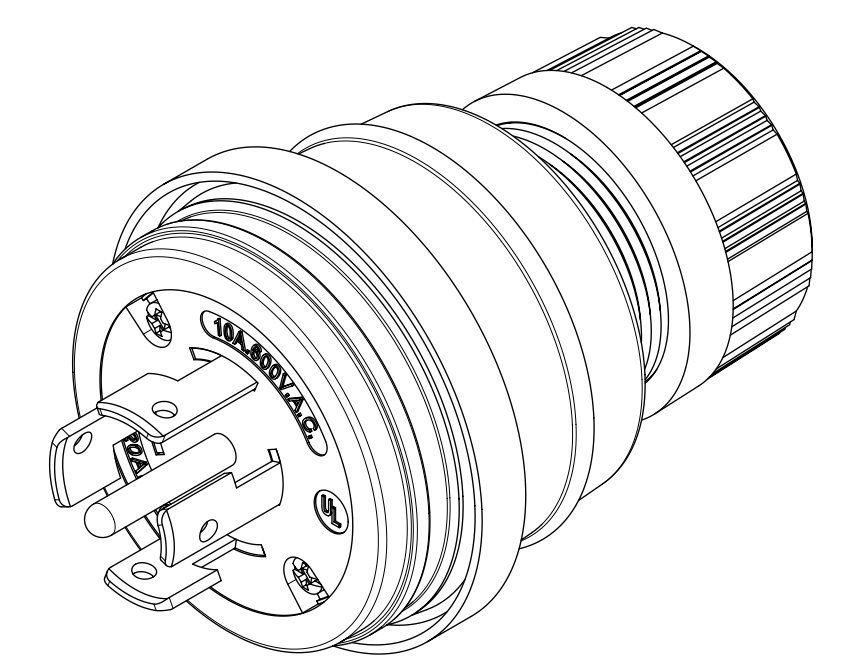
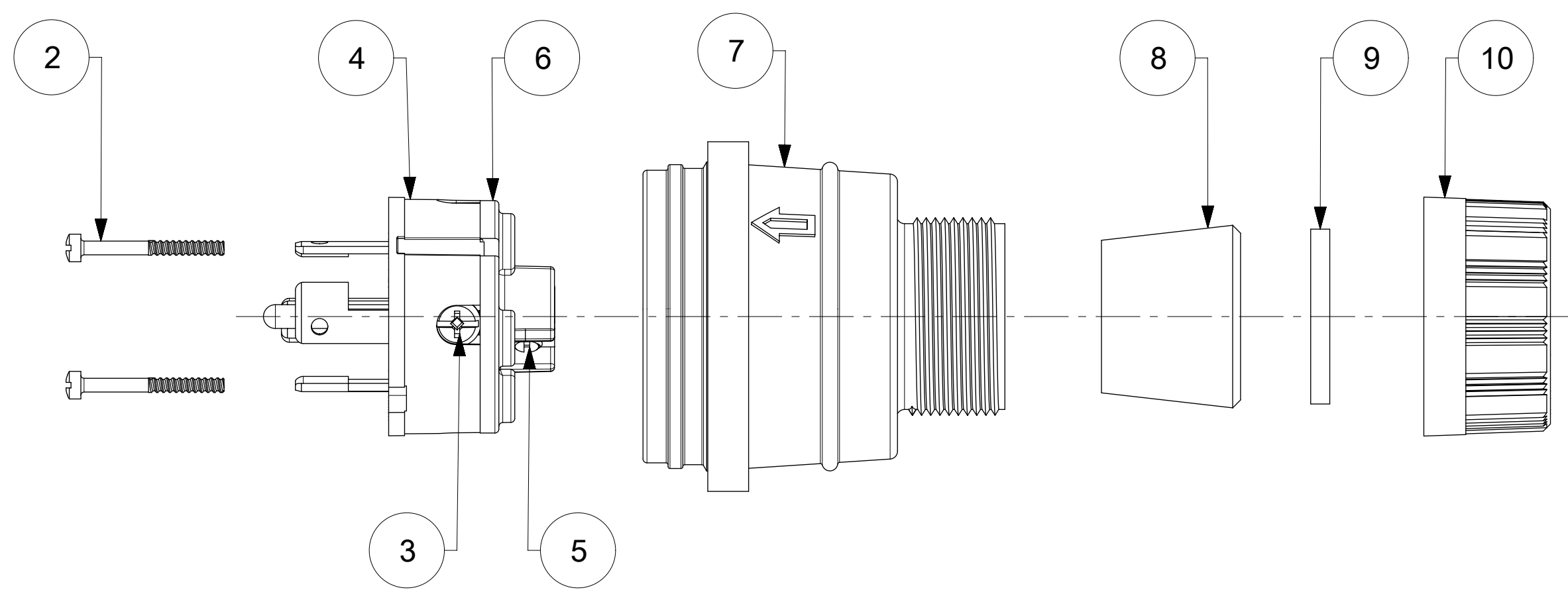


ORDER NO.	WOODHEAD NO.	COLOR
130147-0224	26W10-P	YELLOW



ITEM NO.	DESCRIPTIONS	MATERIAL	QTY.
1	BLADE	BRASS, NICKEL PLATED	5
2	RETAINING SCREWS	STAINLESS STEEL	2
3	CLAMP AND TERMINAL SCREW ASSY	BRASS, ZINC PLATED	4
4	INSERT	NYLON	1
5	SET SCREW	STAINLESSSTEEL	1
6	TERMINAL COVER	POLYCARBONATE	1
7	HOUSING	SILICON WITH NYLON THREAD	1
8	GROMMET	RUBBER	1
9	FRICTION RING	NYLON	1
10	COMPRESSION NUT	NYLON	1

SYMBOLS DIMENSION UNITS: INCH SCALE: NTS CURRENT REV DESC: RELEASED			
GENERAL TOLERANCES (UNLESS SPECIFIED) ANGULAR TOL ± ° 4 PLACES ± 3 PLACES ± 2 PLACES ± 1 PLACE ± 0 PLACES ± DRAFT WHERE APPLICABLE MUST REMAIN WITHIN DIMENSIONS		EC NO: 614203 DRWN: DSOPPIN 2018/12/12 CHK'D: DNGUYEN62 2019/03/25 APPR: HKNEELAND 2019/03/27 INITIAL REVISION: DRWN: DSOPPIN 2018/12/12 APPR: HKNEELAND 2019/03/27	
THIRD ANGLE PROJECTION 		DRAWING SERIES C-SIZE 130147	DOCUMENT NUMBER 1301470224
MATERIAL NUMBER SEE TABLE		CUSTOMER GENERAL MARKET	DOC TYPE DOC PART REVISION PSD 000 A SHEET NUMBER 1 OF 1