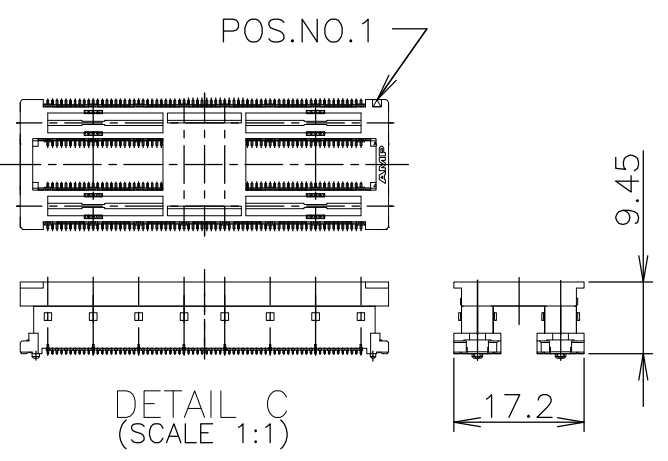
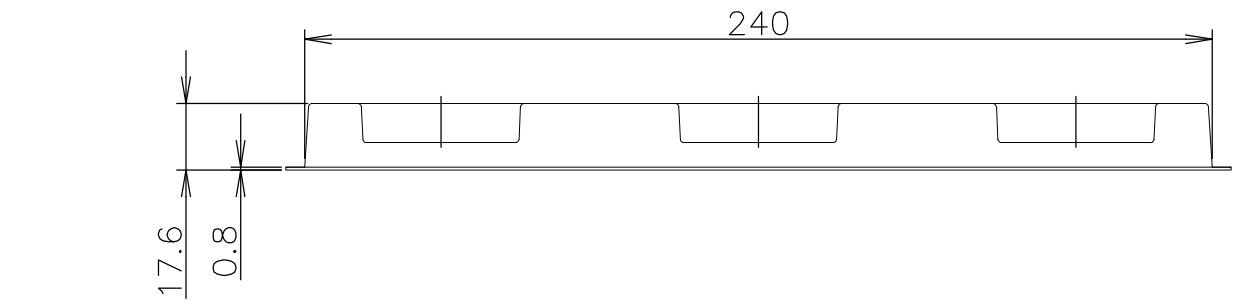
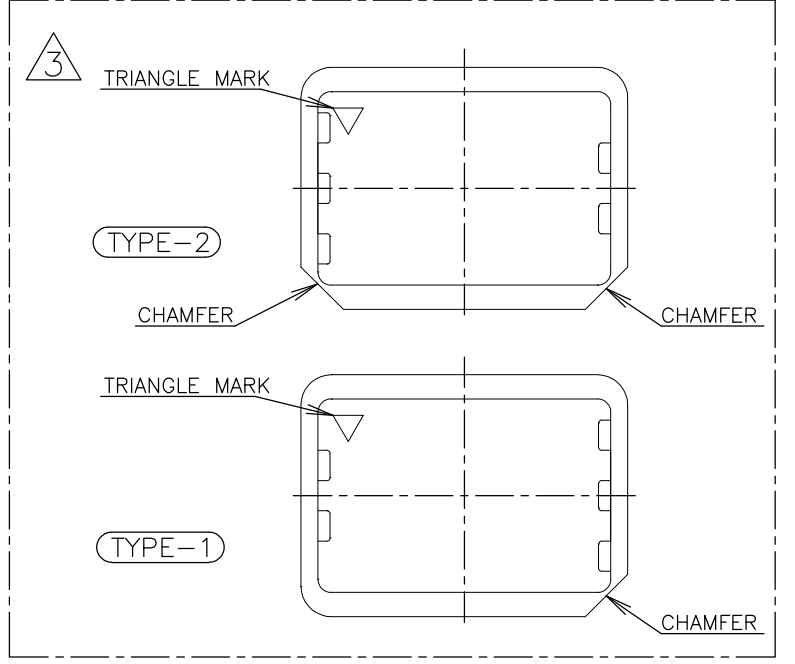
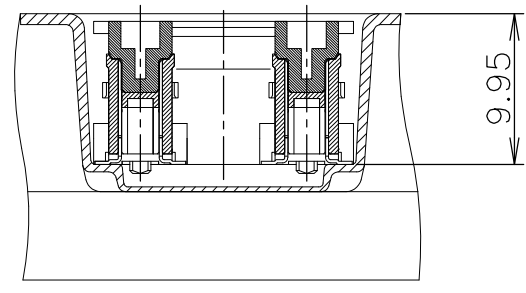
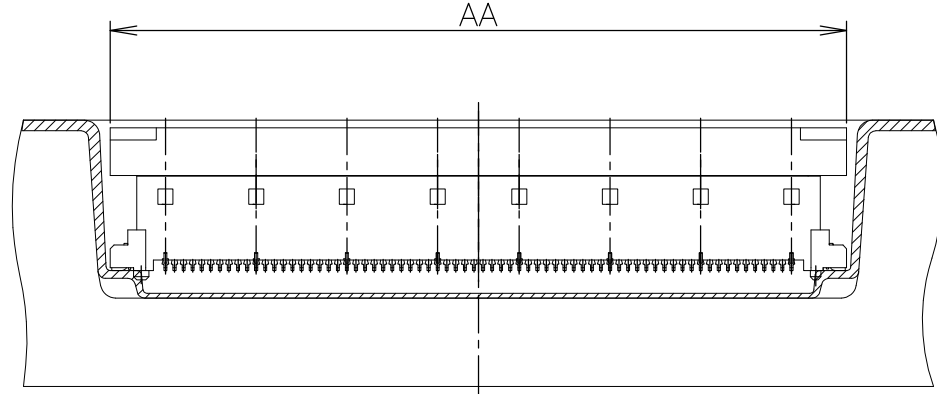
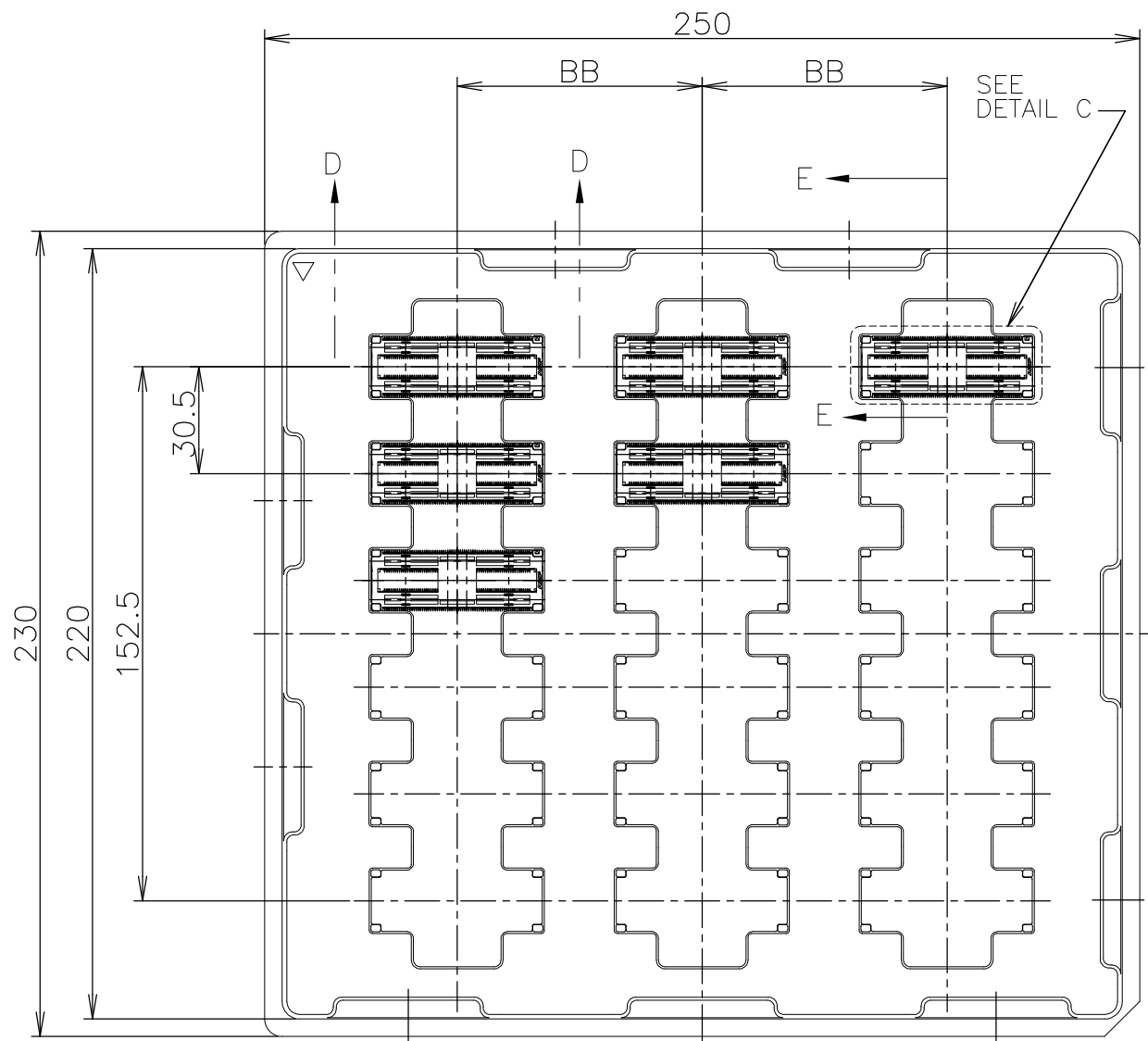


THIS DRAWING IS UNPUBLISHED. RELEASED FOR PUBLICATION JAN , 1997.
 © COPYRIGHT 1997 By - ALL RIGHTS RESERVED.

LOC J	DIST	REVISIONS 変更			DATE	DWN	APVD
P	LTR	DESCRIPTION					
	A1	REVISED PER ECR-15-012743	24SEP2015	I.T	W.H		

AS SHOWN: TYPE-1



GENERAL TOLERANCE
 一般公差
 10 ≥ ±0.2
 30 ≥ >10: ±0.25
 100 ≥ >30: ±0.3
 ANGLES: ±3°

THIS DRAWING IS A CONTROLLED DOCUMENT.

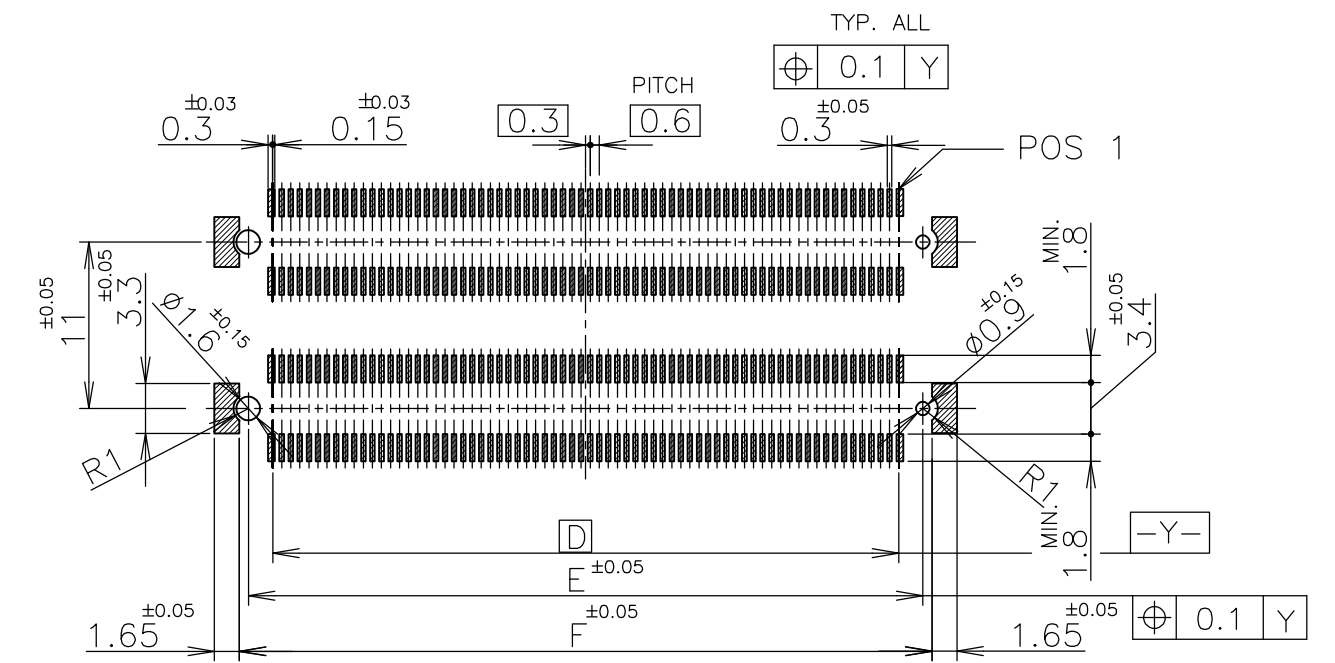
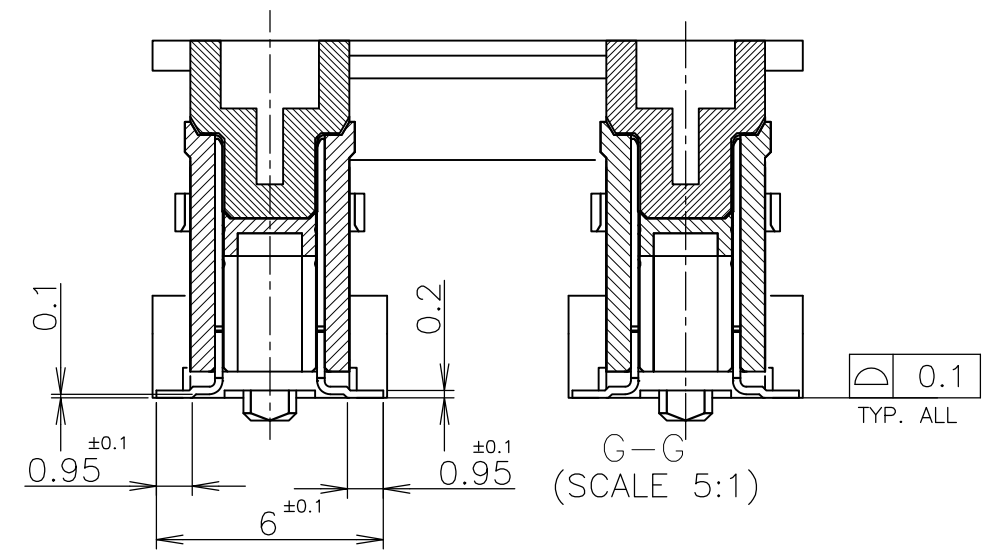
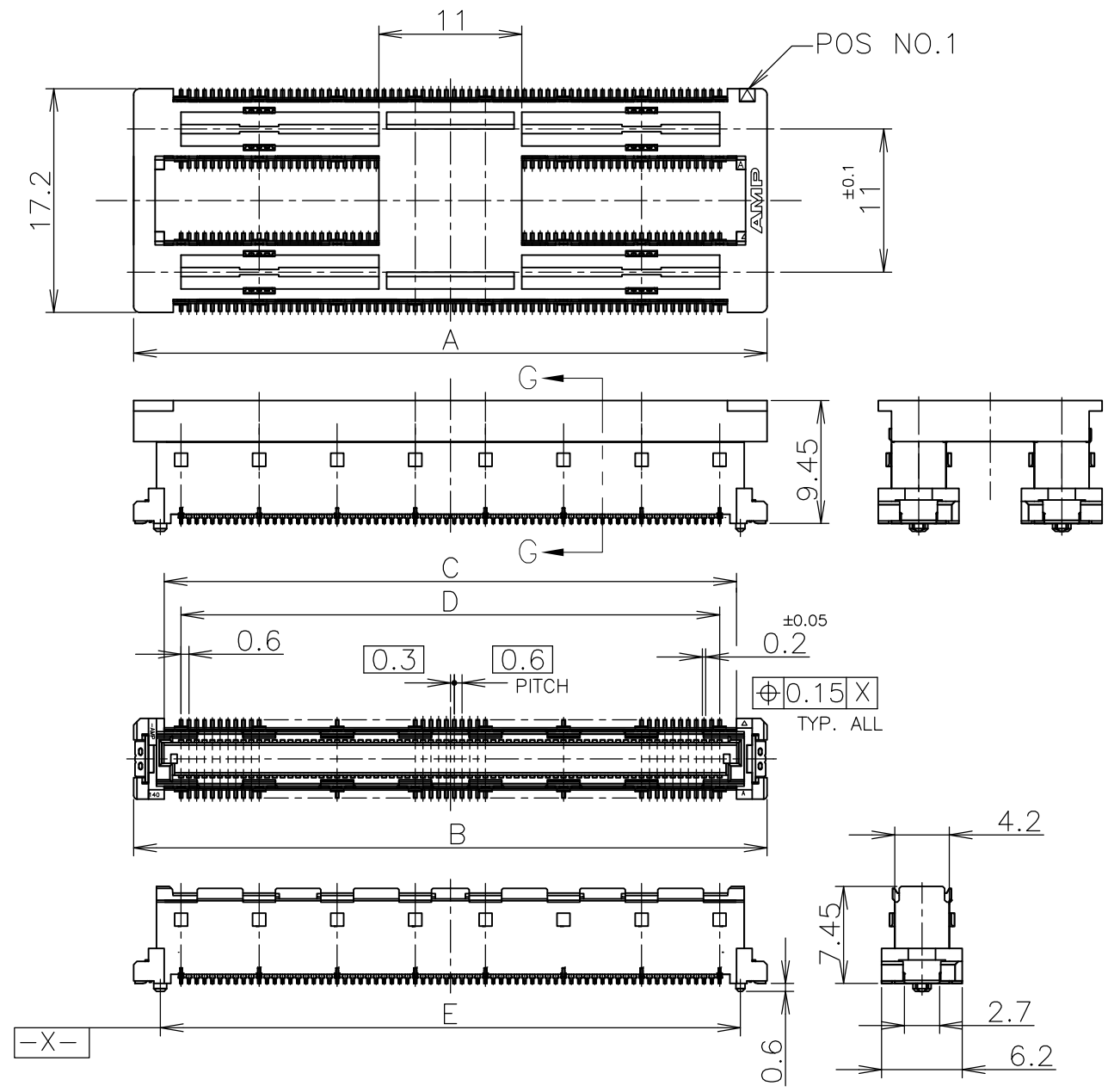
DIMENSIONS: 単位: 耗 mm	TOLERANCES UNLESS OTHERWISE SPECIFIED: 一般公差
0 PLC ± -	1 PLC ± -
2 PLC ± -	3 PLC ± -
4 PLC ± -	ANGLES ± -
MATERIAL 材料	FINISH 仕上

SEALANT	△5	AVAILABLE	3	18	70	48.7	280	6-1554701-0
NON SEALANT		AVAILABLE	3	18	70	48.7	280	1-1554701-0
SEALANT		TOOLING STATUS	ROW	QTY	BB	AA	POS.	PART NO.

DWN Y.OKOSHI 07SEP2009	STE TE Connectivity	
CHK S.KAJINUMA 07SEP2009		
APVD S.KAJINUMA 07SEP2009	NAME 名称	
PRODUCT SPEC 製品規格 108-60047	SOFT TRAY ASSY FH 0.6BTB CONNECTOR PLUG 8H 2ROW TYPE	
APPLICATION SPEC 取付適用規格 114-5255	SIZE A3	CAGE CODE 00779
WEIGHT	DRAWING NO 番号 C-1554701	RESTRICTED TO
CUSTOMER DRAWING	SCALE 尺度 1:2	SHEET 1 OF 2
		REV A1

THIS DRAWING IS UNPUBLISHED. RELEASED FOR PUBLICATION JAN, 1997.
 © COPYRIGHT 1997 By - ALL RIGHTS RESERVED.

LOC	DIST	REVISIONS			DATE	DWN	APVD
		P	LTR	DESCRIPTION			
J			-	SEE SHEET 1	-	-	-



REFERENCE P.C. BOARD LAYOUT

- ① MATERIAL ; HOUSING : HIGH TEMP THERMO PLASTIC
UL94V-0
CONTACT : COPPER ALLOY
- ② FINISH ; UNDER PL Ni 0.0013mm MIN ALL OVER.
CONTACT AREA 0.0002 MIN Au PL.
SOLDERING AREA 0.001 MIN TIN PL.
- ③ TRAY TYPE-1 AND TYPE-2 MUST BE
PILED UP BY TURNS.
(REFER TO PACKING SPECIFICATIONS)

45.8	44.6	41.4	44	48.7	48.7	280	1-1554701-0 & 6-1554701-0
F	E	D	C	B	A	POS	PART NO.

THIS DRAWING IS A CONTROLLED DOCUMENT.		DWN	STE TE Connectivity	
DIMENSIONS: 単位: 耗 mm		CHK		
TOLERANCES UNLESS OTHERWISE SPECIFIED: 一般公差		APVD	NAME 名称	
0 PLC ± -		PRODUCT SPEC 製品規格	SOFT TRAY ASSY	
1 PLC ± -		APPLICATION SPEC 取付適用規格	FH 0.6BTB CONNECTOR	
2 PLC ± -		WEIGHT	PLUG 8H 2ROW TYPE	
3 PLC ± -			SIZE	CAGE CODE
4 PLC ± -			A3	00779
ANGLES ± -			DRAWING NO 番号	
FINISH 仕上			G-1554701	
MATERIAL 材料		CUSTOMER DRAWING		RESTRICTED TO
①		SCALE 尺度 2:1		SHEET 2 OF 2
②				REV A1