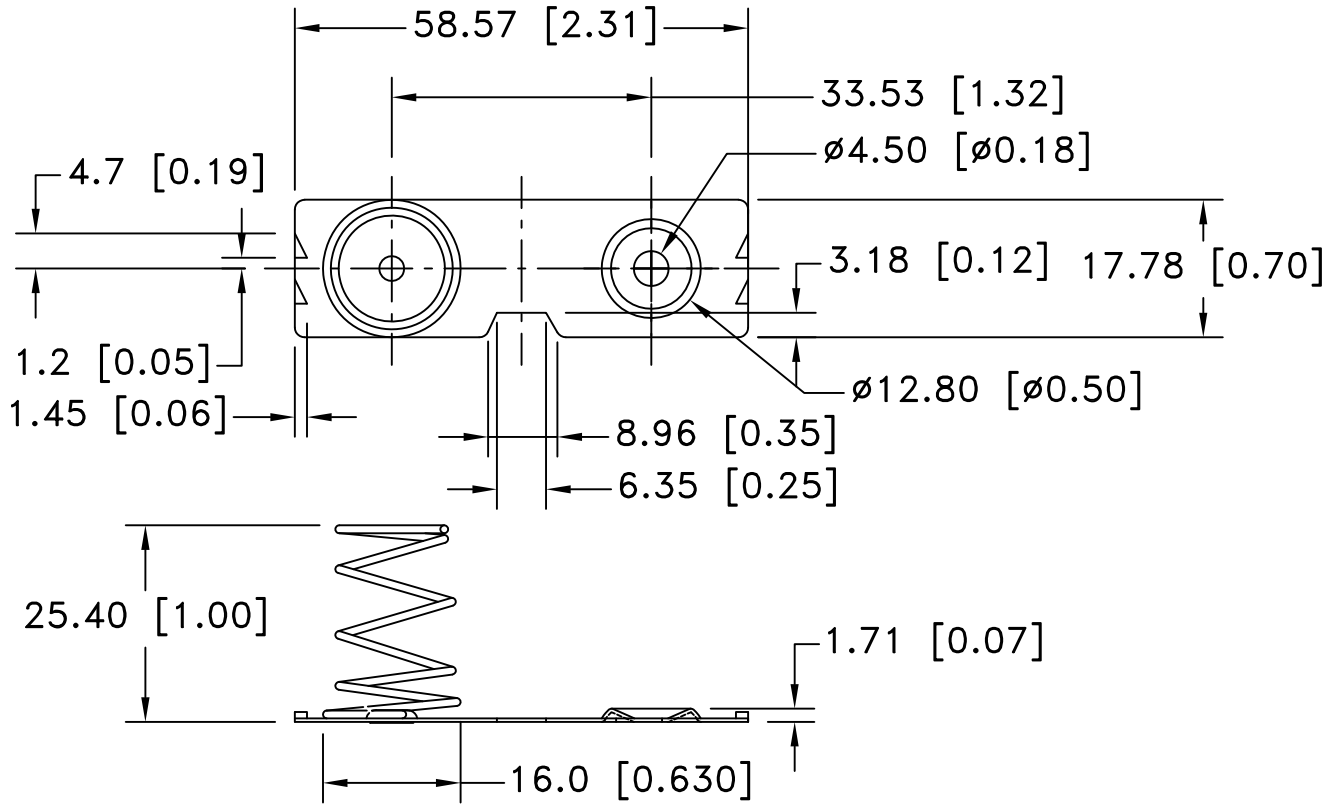



Date	SYM	REVISION RECORD	AUTH	DR.	CK.
5/01/09	A	ADDED "ROHS COMPLIANT"	T.B.	B.S.	
11/21/14	B	UPDATED TO ROHS 2 COMPLIANT	T.B.	B.S.	



NOTES:

- MATERIAL:
CONTACT PLATE: 0.45mm (0.018") THICK
RIVETS: BRASS, NICKEL PLATED.
SPRING: 1.02mm (0.04") THICK SPRING STEEL, NICKEL PLATED.
ROHS 2 COMPLIANT

Tolerance (Except as noted)	 Memory Protection Devices, Inc 200 Broad Hollow Road, Farmingdale, New York 11735		
decimal ±.5 (.020)		Scale	Drawn By B.S.
Fractional ± .8 (.030)	Title BATTERY CONTACT FOR "D" CELL		
Angular ± 3°	Date 11/21/14	Drawing Number BK-874	