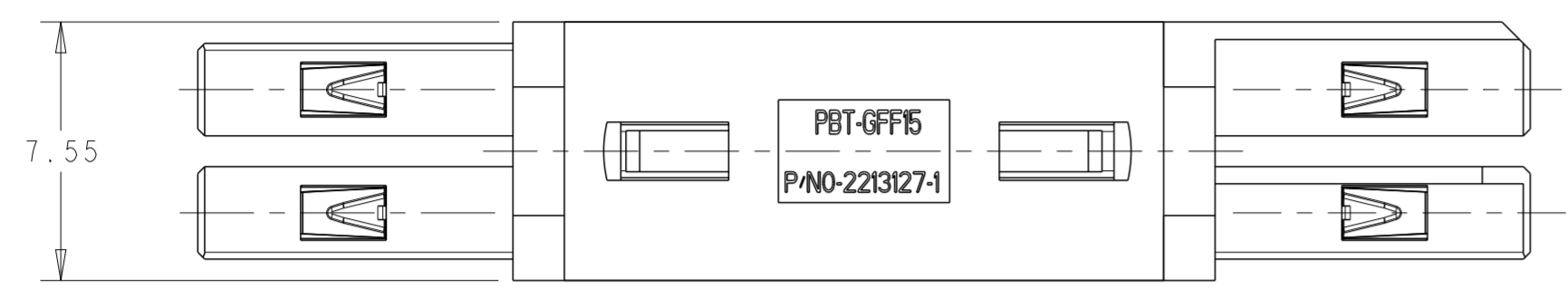


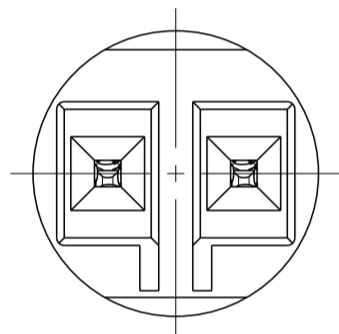
THIS DRAWING IS UNPUBLISHED. RELEASED FOR PUBLICATION 20
 © COPYRIGHT 20 BY - ALL RIGHTS RESERVED.

LOC		DIST		REVISIONS			
P	LTR	DESCRIPTION		DATE	DWN	APVD	
-	-	A1	REVISED PER ECR-13-009328		03JUL2013	RS	DD

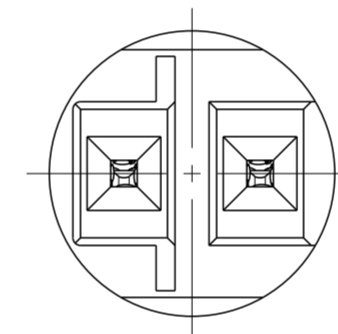


1 MATERIAL:
 CONNECTOR SYSTEM TUBE: PBT-GFF15
 COLOUR: WHITE
 PLUG HOUSING: PBT-GFF15
 COLOUR: WHITE
 RECEPTACLE CONTACT:
 CONTACT: CuNiSi
 SPRING: X10CrNi188
 SQUARE WIRE: CuSn6

POL. KEY HV-3

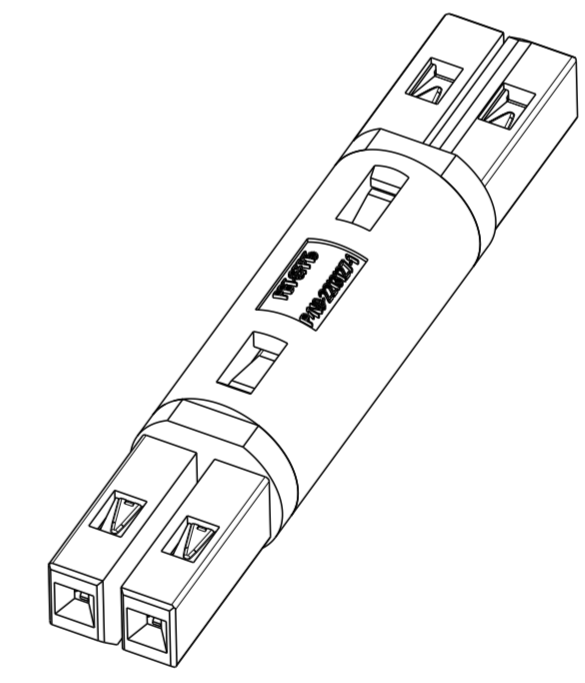
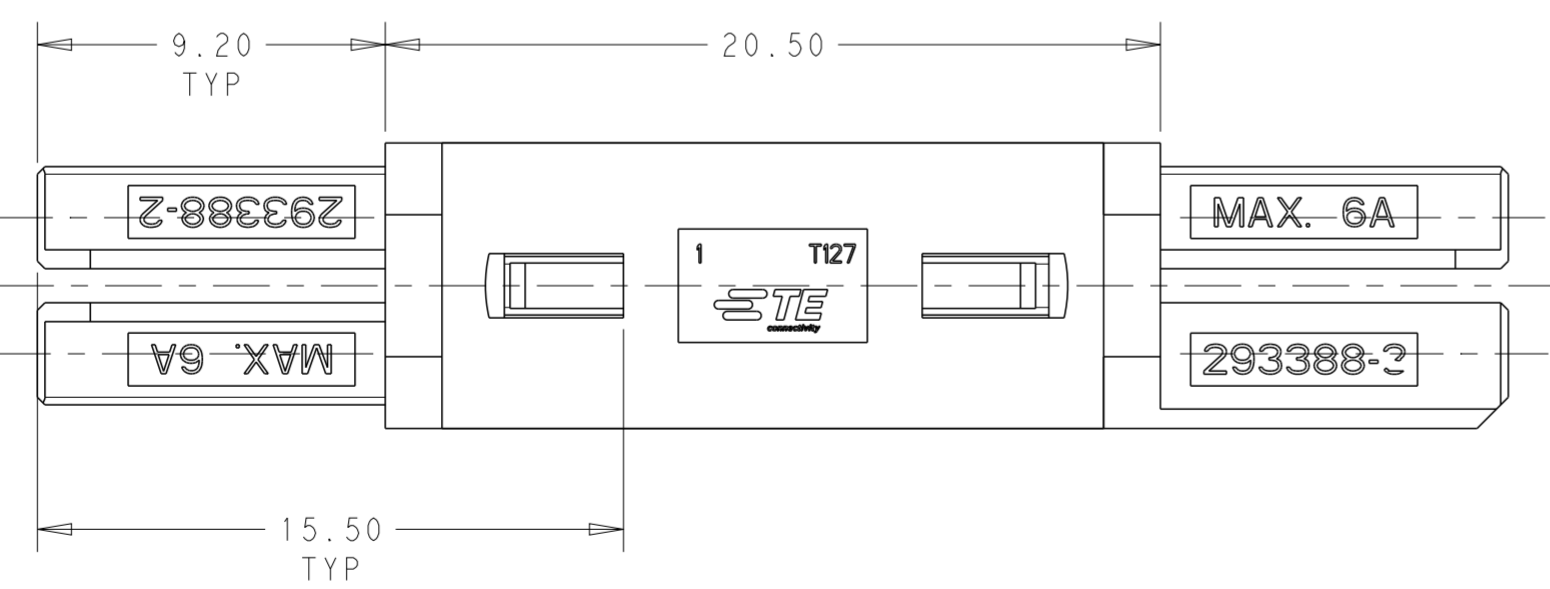


POL. KEY HV-4



2 FINISH:
 RECEPTACLE CONTACT:
 CONTACT: TIN
 SPRING: NONE
 SQUARE WIRE: TIN OVER NICKEL

3 OBSOLETE



3D VIEW
 SCALE 3:1

2213142-3 SHOWN

HV-3 & HV-4	2213142-3
LV-2	2213142-2
HV-3	2213142-1
POLARIZATION	PART NUMBER

THIS DRAWING IS A CONTROLLED DOCUMENT.		DWN RAVI.S 01AUG2012	TE Connectivity	
DIMENSIONS: mm		CHK D.DECKER 01AUG2012		
TOLERANCES UNLESS OTHERWISE SPECIFIED:		APVD D.DECKER 01AUG2012	NAME MALE-TO-MALE BRIDGE CONNECTOR	
0 PLC ±	1 PLC ±0.5	PRODUCT SPEC	-	
2 PLC ±0.13	3 PLC ±0.013	APPLICATION SPEC	-	
4 PLC ±0.0001	ANGLES ±	FINISH	-	
MATERIAL 1 -	2 -	WEIGHT	SIZE A2	CAGE CODE 00779
Customer Drawing		SCALE 5:1	DRAWING NO C-2213142	RESTRICTED TO
		SHEET 1 OF 1	REV A1	